

**Serie | 2**
**HHF113BR0B**  
**Single Oven**

**Included accessories**

- 1 x insert grid
- 1 x combination grid
- 1 x universal pan

**The built-in oven with 3D hot air: achieve perfect baking and roasting results on up to three levels simultaneously.**

- **3D Hotair:** perfect results thanks to optimal distribution of heat on up to 3 levels simultaneously.
- **LED display control, red:** easy-to-use thanks to the time functions.
- Easy to clean grey enamel interior

**Technical Data**

Color / Material Front :	Stainless steel
Construction type :	Built-in
Integrated Cleaning system :	No
Required niche size for installation (HxWxD) :	575-597 x 560-568 x 550
Dimensions of the product (mm) :	595 x 594 x 548
Dimensions of the packed product (HxWxD) (mm) :	665 x 680 x 635
Control Panel Material :	Stainless steel
Door Material :	Glass
Net weight (kg) :	32.1
Usable volume of cavity (l) :	66
Cooking method :	Full width variable grill, Heißluft sanft, Hot Air, Hot air grilling
First cavity material :	Other
Temperature control :	No control of the temperature
Number of interior lights :	1
Approval certificates :	CE, VDE
Length of electrical supply cord (cm) :	100
EAN code :	4242005048335
Number of cavities (2010/30/EC) :	1
Energy efficiency class (2010/30/EC) :	A
Energy consumption per cycle forced air convection (2010/30/EC) :	0.79
Energy efficiency index (2010/30/EC) :	95.2
Electrical connection rating (W) :	2400
Current (A) :	13
Voltage (V) :	220-240
Frequency (Hz) :	60; 50
Plug type :	GB plug



## Serie | 2 Ovens

### HHF113BR0B

#### Single Oven

**The built-in oven with 3D hot air: achieve perfect baking and roasting results on up to three levels simultaneously.**

---

#### Design

- LED-Display Control (Red)
- Drop down door
- Rotary dial
- Straight bar handle
- Cavity inner surface: Enamel grey

#### Features

- Automatic start
- Control panel lock
- Electronic clock timer
- Halogen interior light
- 5 shelf positions

#### Cleaning

- Full glass inner door

#### Programmes/functions

- Oven with 4 heating methods: 3D hot air, Hotair grilling, Hotair gentle

#### Standard accessories

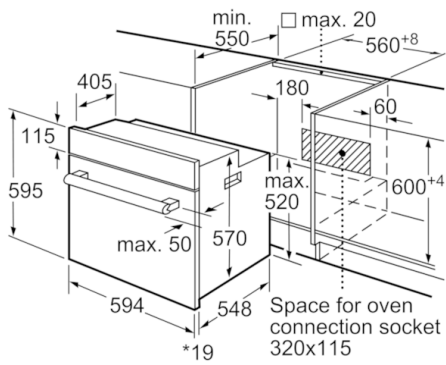
- 1 x insert grid, 1 x combination grid, 1 x universal pan

#### Performance/technical information

- Energy efficiency rating (acc. EU Nr. 65/2014): A  
Energy consumption per cycle in conventional mode: 95.2  
Energy consumption per cycle in fan-forced convection mode:  
0.79 kWh  
Number of cavities: 1  
Cavity volume: 66 litre
- Integral cooling fan
- Length of mains cable: 100 cm
- Total connected load electric: 2.4 KW
- Nominal voltage: 220 - 240 V
- Appliance dimension (hxwxh): 595 mm x 594 mm x 548 mm
- Niche dimension (hxwxh): 575 mm - 597 mm x 560 mm - 568 mm x 550 mm
- Please refer to the dimensions provided in the installation manual

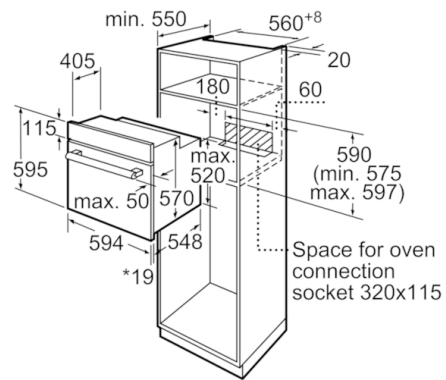
**Serie | 2 Ovens**

**HHF113BR0B**  
**Single Oven**



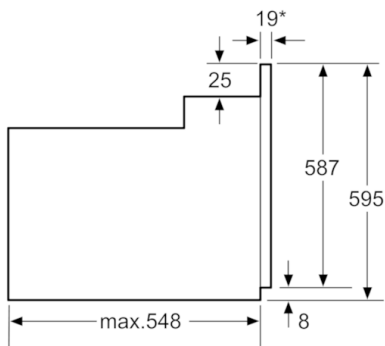
\* 20 mm for metal fascias

measurements in mm



\* 20 mm for metal fascias

measurements in mm



\* 20 mm for metal fascias

Dimensions in mm