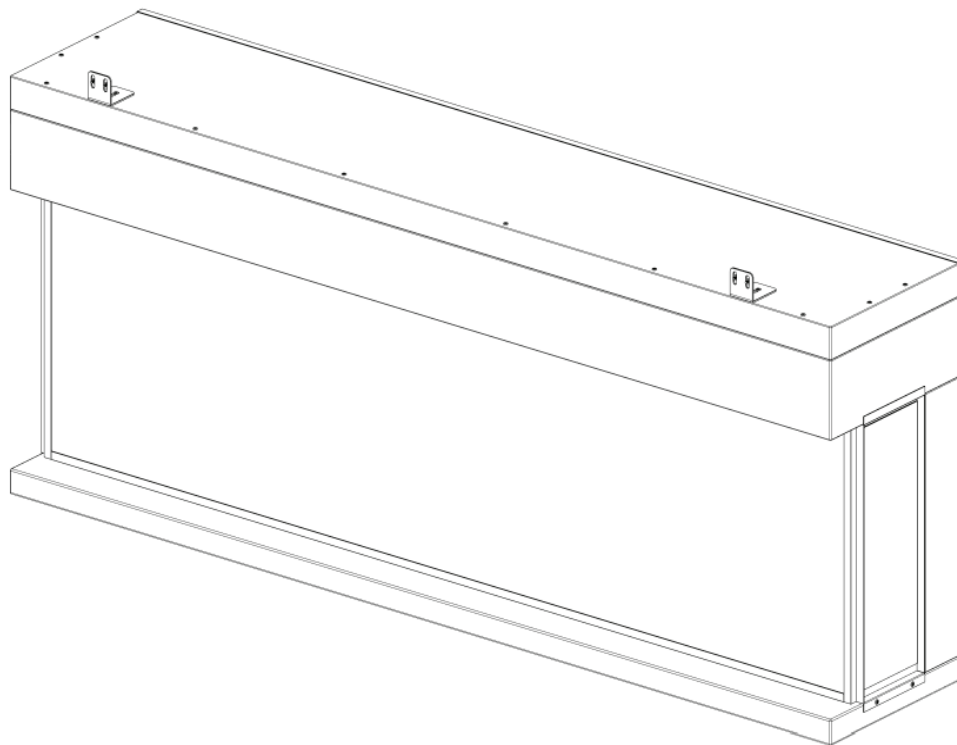


# USER MANUAL



## **MEDIA WALL ELECTRIC FIREPLACE**

**AGL067**

**AGL068**

**AGL069**

Thank you for choosing this electric fireplace.  
Please read this manual before using or installing this electric fire  
and keep it safe for future reference.

# CONTENTS

SAFETY	2
PARTS SUPPLIED	5
INSTALLATION	6
OPERATION	12
CARE AND MAINTENANCE	14
SUPPORT	15
TECHNICAL SPECIFICATIONS	15
PRODUCT FICHE	16

## SAFETY INFORMATION

**When using electrical appliances, basic safety precautions should always be followed, including the following:**

- **IMPORTANT:** Read all instructions and warnings carefully before starting installation. Failure to follow these instructions may result in a possible electric shock or fire hazard and will void the warranty.
- Before connecting the appliance, be sure that the mains voltage available matches that specified on the rating plate and that the outlet is suitably grounded.
- This appliance can be used by children aged from 8 years and above and persons with reduced physical, sensory or mental capabilities or lack of experience and knowledge if they have been given supervision or instruction concerning use of the appliance in a safe way and understand the hazards involved.
- Children aged from 3 years and less than 8 years shall only switch on/off the appliance provided that it has been placed or installed in its intended normal operating position and they have been given supervision or instruction concerning use of the appliance in a safe way and understand the hazards involved. Children aged from 3 years and less than 8 years shall not plug in, regulate, or clean the appliance or perform user maintenance.
- Children under 3 years should be kept away unless continuously supervised.
- Some parts of this product can become very hot and cause burns. Particular attention has to be given where children and vulnerable people are present.
- If the supply cord is damaged, it must be replaced by the manufacturer, its service agent or a similarly qualified person in order to avoid a hazard.
- **WARNING:** In order to avoid overheating, do not cover the heater.
- The heater must not be located immediately below a socket outlet.
- **CAUTION:** In order to avoid a hazard due to the inadvertent resetting of the thermal cut-out, this appliance must not be supplied through an external switching device, such as a timer, or connected to a circuit that is regularly switched on and off by the user or utility.
- Do not attempt to repair, disassemble or modify the appliance. This unit contains no user-serviceable parts.
- Always unplug or disconnect the appliance from the mains power supply when not in use, or when moving or cleaning it. Do not pull the cord to unplug the heater.
- Keep the heater clean. Do not allow any object to enter the ventilation or exhaust opening as this may cause electric shock, fire, or damage to the heater.
- Do not use the appliance for other than its intended use. It is designed for domestic indoor use only.

- There may be a trace of odour during the first few minutes of initial use, or after a period of storage. This is normal and will quickly disappear.
- If the glass is damaged, do not use the heater in order to avoid a hazard.
- Avoid the use of an extension cord, as the cord may overheat and cause a risk of fire.
- This fireplace is hot when in use. To avoid burns, do not let bare skin touch hot surfaced. If provided, use handles when moving this appliance.
- Keep combustible materials, such as furniture, pillows, bedding, papers, clothes and curtains at least 3 feet from the front and sides of this appliance.
- This appliance is designed for indoor use only and is not intended for use in bathrooms, laundry areas and similar indoor locations. Never locate this appliance where it may fall into a bathtub or otherwise become exposed to water.
- Do not run the cord under carpeting. Do not cover the cord with throw rugs, runners or similar. Ensure the cord is kept away from traffic areas, and kept in a position which would not present a trip hazard.
- To disconnect this appliance, turn the controls to the off position, then remove the plug from the outlet.
- This appliance has hot and arching or sparking parts inside. Do not use it in areas where gasoline, paint, or any flammable liquids are used or stored.
- This appliance should not be used as a drying rack for clothing, nor should Christmas stockings or decorations be hung on or near it.
- This electric fire is an instant heat source to warm up a room and is great for visual room ambiance it doesn't necessarily need to be used as a constant or permanent source of heating for the home.
- Clean the fire regularly to prevent the build-up of hairs dust or lint around the fire, as this may cause the outlet to become blocked.
- Do not use aerosols or steam cleaners on or around the fire.

## **MANUAL HANDLING**

- The heater must not be moved while in use. Please allow a suitable amount of time for the unit to cool before attempting to move it.
- One person should be sufficient to lift the heater. If for any reason it is considered too heavy then obtain assistance.
- When lifting always keep your back straight. Bend your legs and not your back.
- Avoid twisting at the waist. It is better to reposition your feet.
- Avoid upper body / top heavy bending. Always bend from the knees rather than the waist. Do not lean forward or sideways whilst handling the heater.
- Always grip with the palm of the hand. Do not use the tips of fingers for support.

- Always keep the heater as close to the body as possible. This will minimize the cantilever action.
- If required, use gloves to provide additional grip.
- Always use assistance if required.



**THIS SYMBOL MEANS DO NOT COVER, IN ORDER TO AVOID OVERHEATING. DO NOT COVER OR OBSTRUCT ANY OF THE HEAT OUTLET GRILLES OR AIR INTAKE OPENINGS OF THE HEATER.**

## **ELECTRICAL SAFETY**

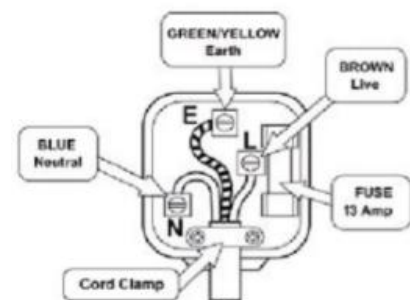
The heater must not be located under an electrical socket; the socket must always be accessible in order to disconnect the heater from the electrical supply for maintenance and cleaning.

**Important:** This heater must be earthed. The mains supply must be safely routed from the heater to an electrical socket.

- If the supply cord is damaged, it must be replaced by the manufacturer, service agent or a similarly qualified person in order to avoid a hazard.
- This appliance is supplied with a BS1363 3 pin plug fitted with a 13 Amp fuse. Should the fuse require replacement, it must be replaced with a fuse rated at 13 Amp and approved to BS1362.
- In the event the mains plug has to be removed or replaced for any reason. **NOTE:** The wires in the mains lead on this appliance are coloured in accordance with the following code:

- **Green and Yellow** - Earth
- **Blue** - Neutral
- **Brown** - Live






**NOTE:** As the colours may not correspond with the markings identifying the terminals in your plug, please proceed as follows.



- The green and yellow wire must be connected to the terminal in the plug which is marked with the letter E or with the earth symbol or coloured green and yellow.
  - The blue wire must be connected to the terminal marked N or coloured black.
  - The brown wire must be connected to the terminal marked L or coloured red.
- Important** - any cut off plug should be disposed of safely to prevent a hazard. There is a danger of electric shock if a cut off plug is inserted into a socket outlet.

## PARTS SUPPLIED

**NOTE:** Pictures and contents in this manual may differ from the product due to continuous product improve.

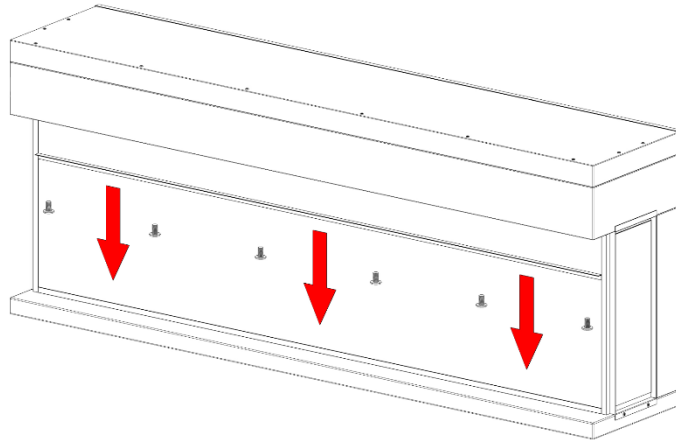
Part	Diagram	Description	Qty
A		L-shaped bracket	2 PCS
B		M5x10 screw	2 PCS
C		M4X14 screw	4 PCS
D		AGL067 AGL068 AGL069	16 PCS 20 PCS 24 PCS
E		Shakeproof washer	2 PCS

# INSTALLATION INSTRUCTIONS

**NOTE:** Two people are recommended for installation.

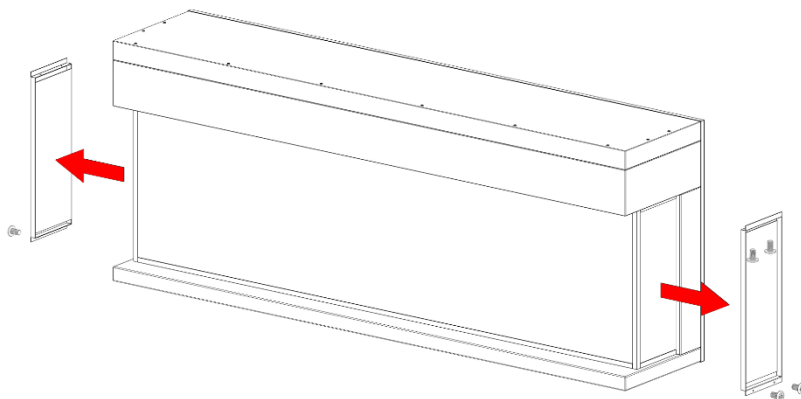
Remove the 5 screws holding the fixing bracket above the front glass panel then carefully remove the bracket.

**Step 1**



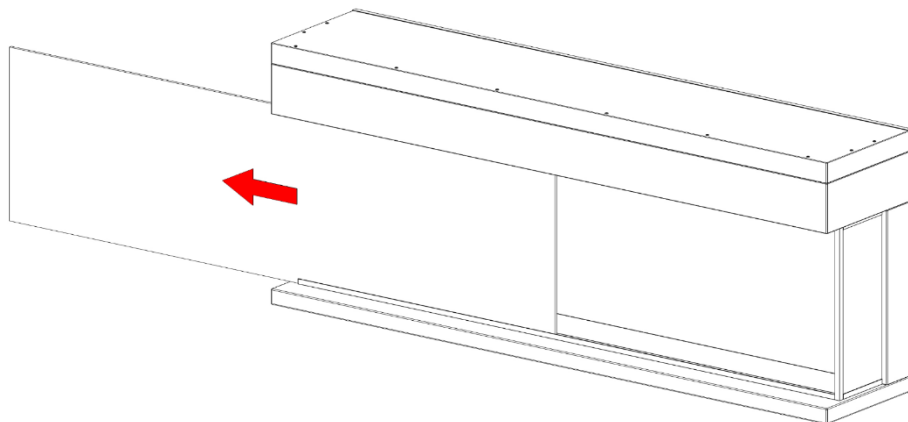
Remove the 8 screws holding the side panel in place and then carefully remove the side panels.

**Step 2**



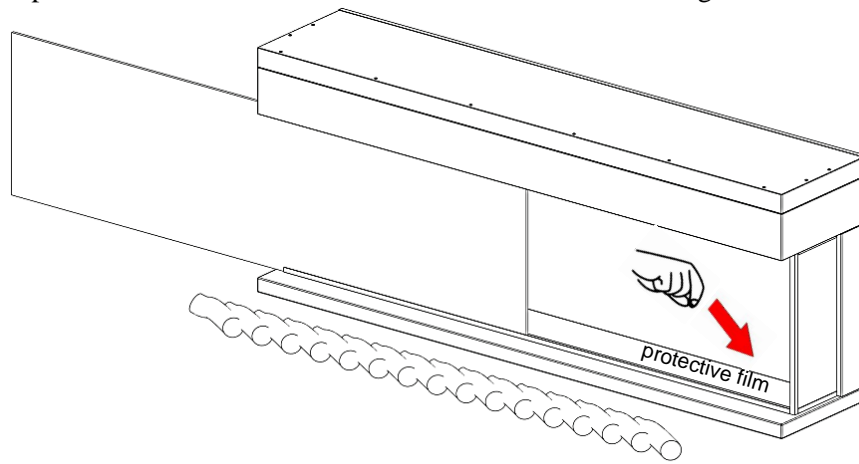
Slide the front glass panel to the left, take down the glass panel and place it on a soft surface.

**Step 3**



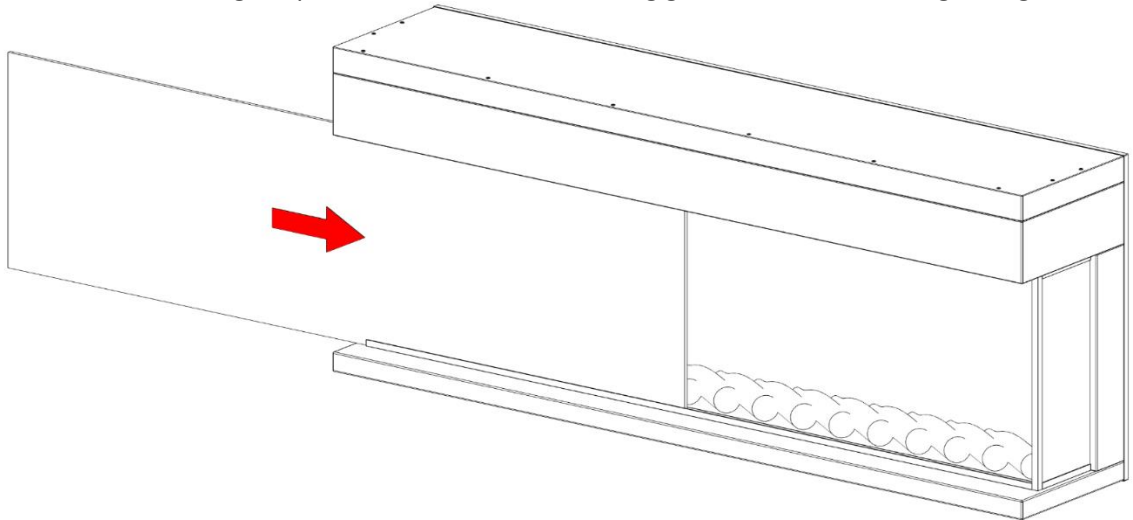
Remove the protective film from the decorative bed first. Place the logs into the fire as desired.

**Step  
4**



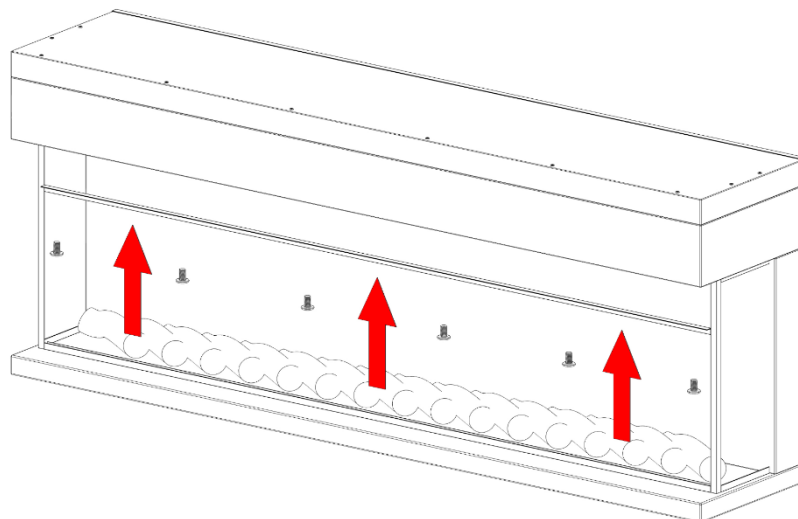
Slide the front glass panel back into the unit taking great care not to damage the glass.

**Step  
5**



Insert the fixing bracket back into place and secure with 5 screws.

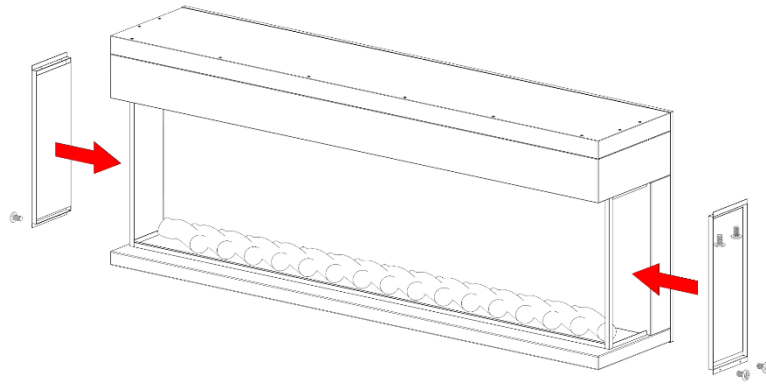
**Step  
6**





(Optional) Fix the side panels on the unit with 8 screws if required.

**Step 7**



## MEDIA WALL INSTALLATION FIXED FROM THE FRONT

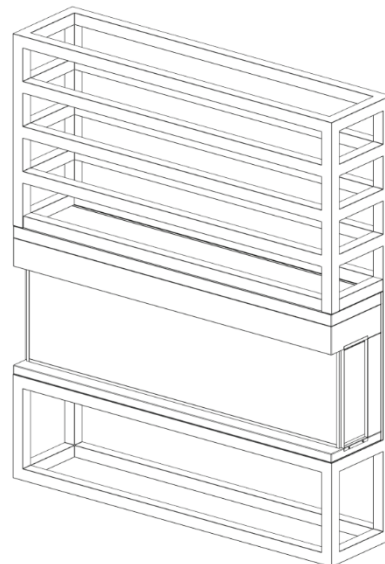
Fix the L-shaped brackets [A] on the top of the heater with 2 screws [B] and 2 gaskets [E].

Insert the heater into the media wall from the front. The other side of the L-shaped bracket can be fixed on the media wall with 4 screws [C].

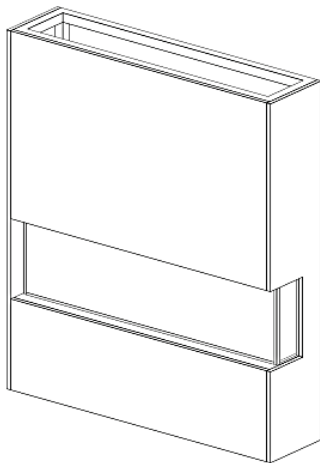
**Step 1** Tighten the screws [C] into the media wall.

Adjustment range with brackets front facing is:

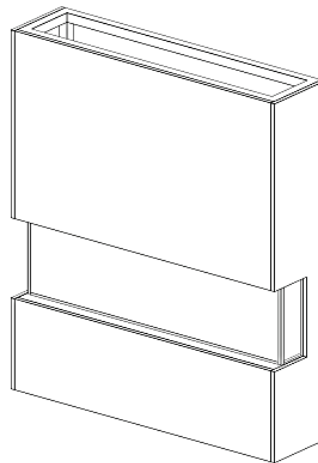
**0-7 mm or 42-55 mm.**



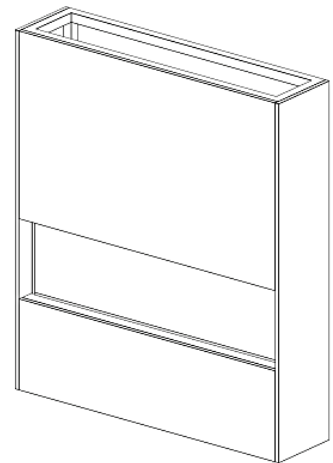
**Step 2** Cover the media wall with panels according to personal preferences.



Single-sided



Two-sided

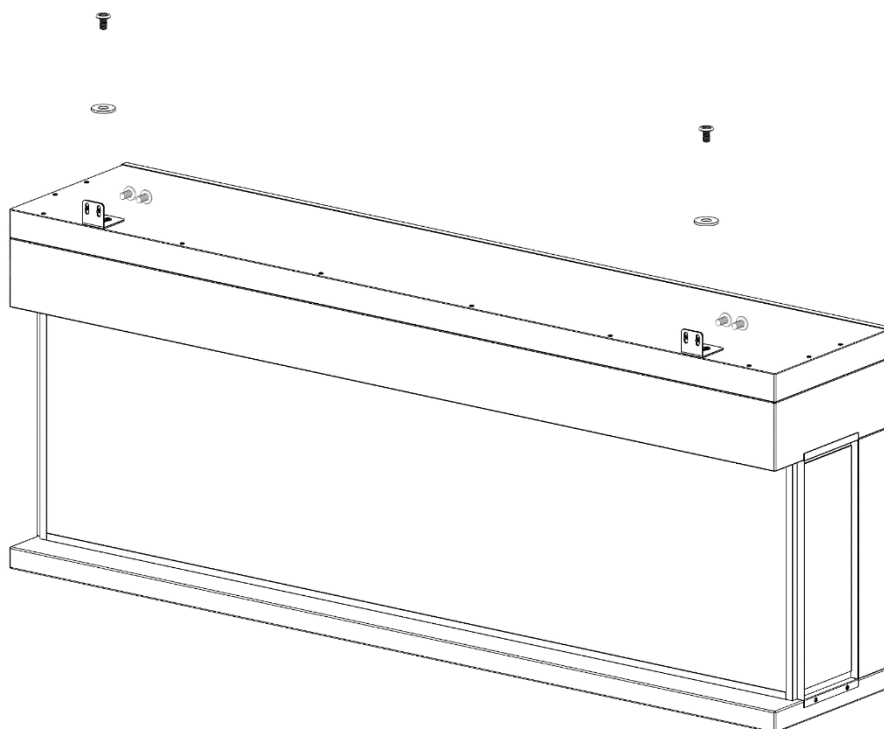


Three-sided

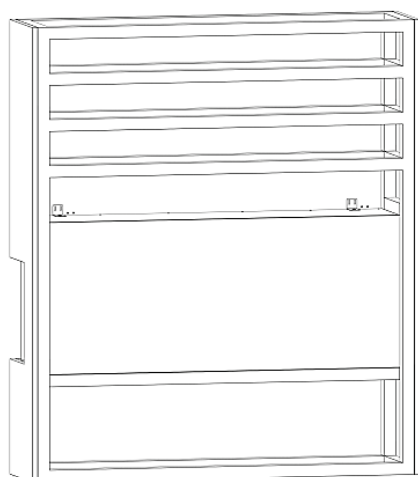
## MEDIA WALL INSTALLATION FIXED FROM BEHIND

Fix the L-shaped bracket [A] on the top of the heater with 2 screws [B] and 2 gaskets [E]. The other side of the L-shaped bracket can be fixed on the media wall with 4 screws [C]. See Fig. A.

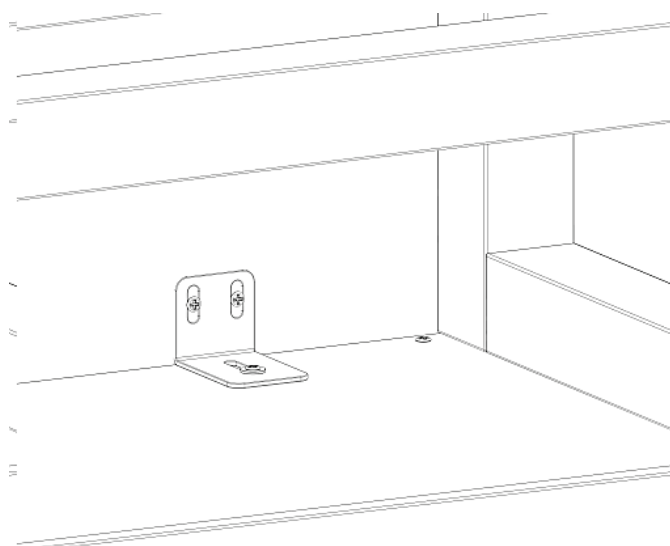
Step 1



Step 2



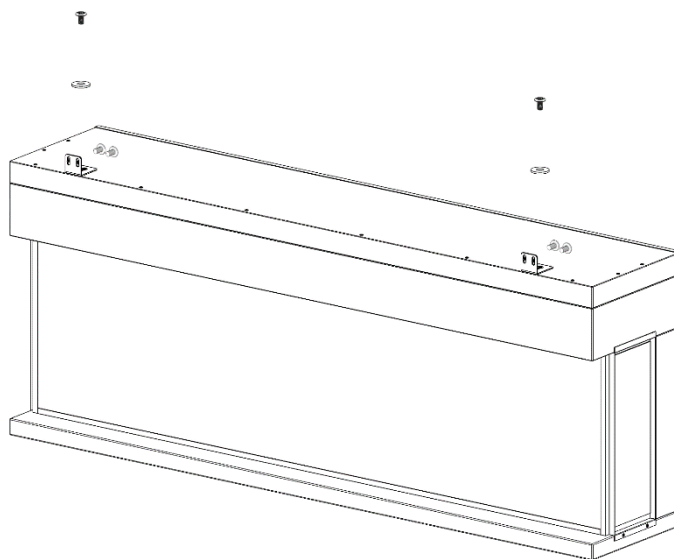
Insert the heater into the media wall from the front and ensure that the brackets at the back of the unit align correctly for installation. Tighten the screws [C] into the media wall.



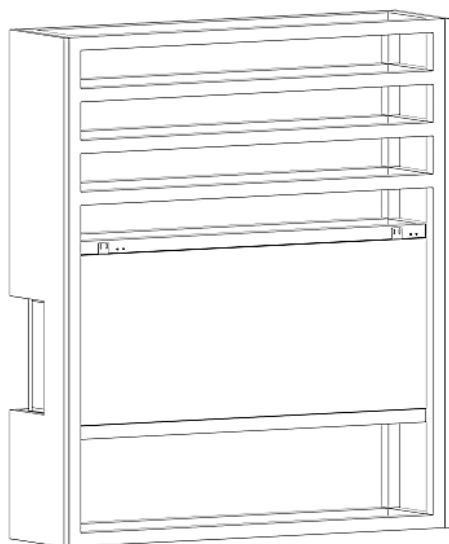
## MEDIA WALL INSTALLATION FIXED FROM BEHIND

Fix the L-shaped bracket [A] on the top of the heater with 2 screws [B] and 2 gaskets [E]. The other side of the L-shaped bracket can be fixed on the decorative wooden frame with 4 screws [C].

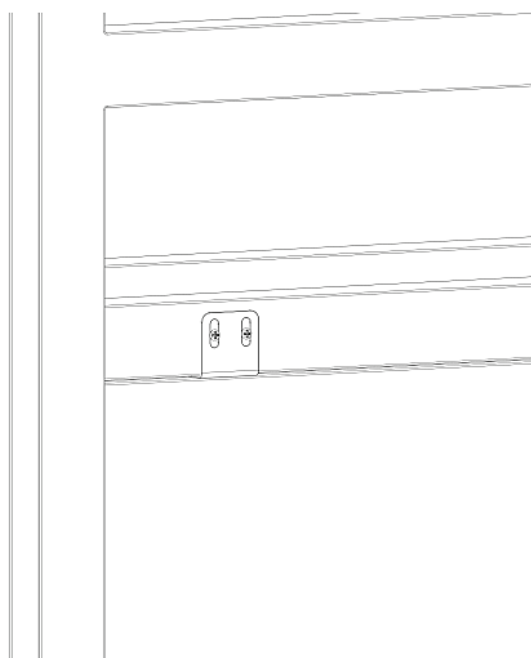
**Step 1**



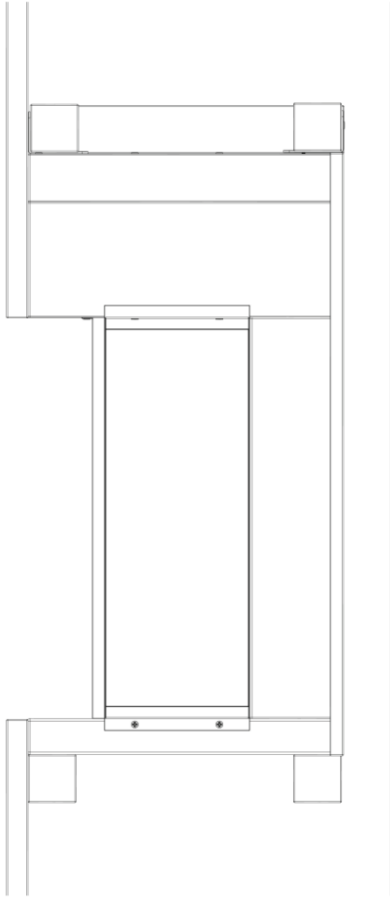
**Step 2**



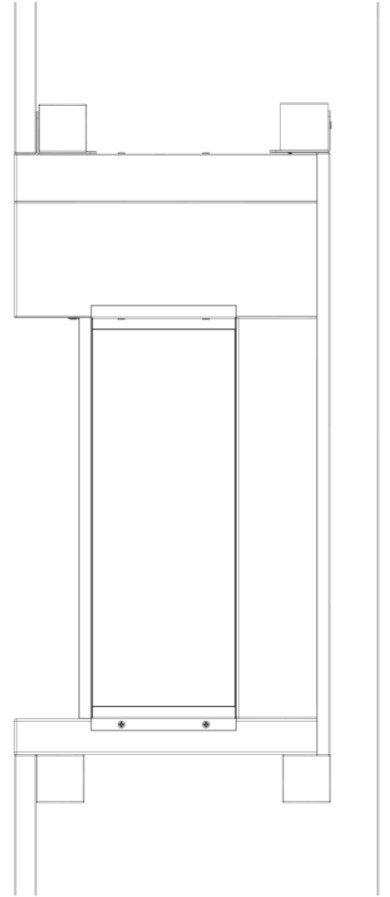
Insert the heater into the media wall from the front and ensure that the brackets at the back of the unit align correctly for installation. Tighten the screws [C] into the media wall.



## RECESSED



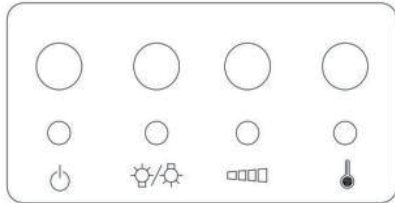
## FLUSH



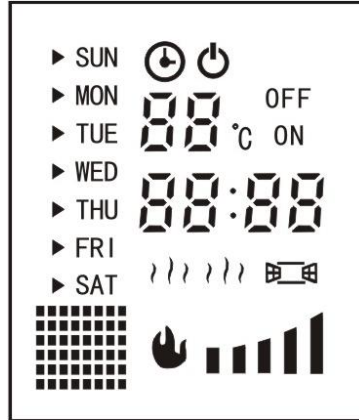
# OPERATION

The heater control panel is located on the right side of the heater.

**O/I:** Press the switch into the **I** position to turn the unit on. Press the switch into the **O** position to turn the unit off. When the switch is turned off, all other functions will stop.



**CONTROL PANEL**



**DISPLAY**



# FUNCTIONS




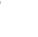

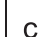
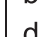






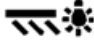
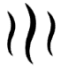
\*Same function as the remote control

2 x AAA Batteries required (NOT INCLUDED)

## CONTROL PANEL

FUNCTION	IMAGE	DESCRIPTION
<b>POWER *</b>		When the unit is turned on, press the power button to start the unit. The indicator light will be on. Then you can select the following functions as desired. Press again to turn off the heater and enter into standby mode.
<b>HEAT FUNCTION *</b>		Press this button to adjust the temperature.
<b>FLAME EFFECT</b>		Press this button to change the flame effect. Press repeatedly to decrease the flame intensity. There are 4 light intensities.
<b>COLOR EFFECT</b>		Press this button to change flame color. There are ten types of flame effect. Hold it for about 3 seconds to change toplight color. There are seven types of toplight effect.

## REMOTE CONTROL

<b>DATE SETTING</b>		<p>Press the date setting button and the 'SUN' will appear on the LED screen and flash. Press the up ↑ or down ↓ button to select the desired date, and press + button to confirm or press the - button to cancel. After setting the desired date, press  again to switch to the 'hour' setting. Press the + or - button to choose the hour. Press  button again to switch to the 'minute' setting. Press + or - button to choose the minute. Press  or OK button to complete date setting.</p>
<b>TIMER</b>		<p>There are 10 time periods you can set to make the unit work in. Press the timer button once and the time will flash. The 'ON' on the LED screen will light up. Press + or - button to choose the desired time. Press the  button again and the 'SUN' on the LED screen will flash. Press the up ↑ or the down ↓ button to select the desired date, and press the + button to confirm, press - button to cancel. After setting the desired date, press the  button to switch to the 'hour' setting. Press the + or - buttons to select the desired hour. Press the  button to change to the 'minute' setting. Press the + or - buttons to choose the desired minute. Press the  button again and 'OFF' will appear on the display. Finally, you will need to set a temperature, press the + or - buttons to select the desired temperature. When desired ambient temperature is reached, the heater will automatically stop heating.</p>
<b>OPEN WINDOW DETECTION</b>		<p>Press this button to turn on the window detection function. During the heating, if the room temperature drops quickly to save energy, the heater will automatically stop heating. The corresponding icon on the screen will flash. Press the button again to turn off the window detection function.</p>
<b>RESET</b>		<p>Press this button to clear the Timing parameters.</p>
<b>TURN ON TIMER</b>		<p>Press to turn on/off the timer function. The working state of the time period is the same as that before the start timer function. The unit will work according to the working state in the time period.</p>
<b>FLAME EFFECT</b>		<p>Press this button to change flame color. There are ten types of flame effect. Which consists of yellow, blue, red and multi-color. According to personal preferences, you can press this button many times until reach the desired color effect. Hold it for about 3 seconds to decrease the flame intensity. There are 4 light intensities for your selection. The flame optics will go lower under the sequence of 4,3,2 and 1.</p>
<b>TOPLIGHT EFFECT</b>		<p>Press this button to change toplight effect. There are seven types of toplight effect. Which consists of yellow, blue, red and multi-color. According to personal preferences, you can press this button many times until reach the desired color effect.</p>
<b>HEAT FUNCTION</b>		<p>Press this button to turn on the heat function. Press again to turn off.</p>

## CARE AND MAINTENANCE

When cleaning unit, the power supply should be disconnected and the unit should be cool.

Dust can be removed by lightly wiping the glass surface with clean, lint free cloth or paper towel. To remove fingerprints or other marks, use a damp cloth with a good quality household glass cleaner. The front glass panel should be completely dried before reusing the heater.

### CAUTION:

- Do not use abrasive cleaner on glass panel.
- Do not spray liquids directly onto any surface of the unit.
- Do not clean the glass on the inside of the unit as this may cause damage to the surface.

## TROUBLESHOOTING

Most problems are simple to resolve - please refer to the following table before calling a service engineer:

Problem	Possible Cause	Check
Fire has stopped working	The fire has overheated and the thermal safety device has activated or a circuit breaker has tripped.	Check there is power to the socket where the fire is connected, check the fuse in the plug, and leave for 10 minutes in case of thermal cut-out.
Flame is not moving	Flame motor defective	Contact the retailer or manufacturer.

## SERVICING

It is hazardous for anyone, other than a qualified service technician, to carry out any service or repair operation, which involves removal of any components.

## WASTE ELECTRICAL RECYCLING

This symbol indicates that this product is classed as Electrical or Electronic Equipment and should not be disposed of with other household waste.



The Waste Electrical and Electronic Equipment (WEEE) Directive has been introduced across the European Union:

- To recycle waste electrical products using the best available recovery and recycling techniques in order to minimize the impact on the environment.
- To treat any hazardous substances.
- To avoid increasing landfill.

WEEE product should be disposed of by handing it over at a designated collection point.

**For more information about where you can drop off your waste product for recycling, please contact your local authority.**

## SUPPORT

Please, for your own convenience, make these simple checks before calling the service line. If the unit still fails to operate call: 0330 390 3062 or complete the online form

1. Is the unit plugged into the mains?
2. Is the fuse OK?
3. Switch the unit off and wait ten minutes to see if the issue is resolved. Restart the unit.

**0330 390 3062**

**Office hours: 9AM - 5PM Monday to Friday**

**UK  
CA**

BuyItDirect

Unit J6, Lowfields Business Park,  
Lowfields Way, Elland,  
West Yorkshire, HX5 9DA

**CE**

## TECHNICAL SPECIFICATION

Description	Fully inset media wall fire		
Model	AGL067	AGL068	AGL069
Rated Voltage	220-240V~	220-240V~	220-240V~
Rated Frequency	50-60Hz	50-60Hz	50-60Hz
Rated Power	Max 1800W	Max 1800W	Max 1800W
Dimensions (H) x (L) x (D)	50x127x26.2cm	50x152.4x26.2cm	50x177.8x26.2cm
Weight	35.87Kg	42.73Kg	50.08Kg



Model identifier(s): <b>AGL067 AGL068 AGL069</b>					
Item	Symbol	Value	unit	Item	unit
<b>Heat output</b>				<b>Type of heat input, for electric storage local space heaters only (select one)</b>	
Nominal heat output	$P_{nom}$	1,8	kW	manual heat charge control, with integrated thermostat	[no]
Minimum heat output (indicative)	$P_{min}$	0	kW	Manual heat charge control with room and/or outdoor temperature feedback	[no]
Maximum continuous heat output	$P_{max,c}$	1,8	kW	Electronic heat charge control with room and/or outdoor temperature feedback	[no]
Auxiliary electricity consumption				Fan assisted heat output	[no]
At nominal heat output	$e_{lmax}$	N/A	kW	<b>Type of heat output/room temperature control (select one)</b>	
At minimum heat output	$e_{lmin}$	N/A	kW	single stage heat output and no room temperature control	[no]
In standby mode	$e_{lsb}$	0	kW	Two or more manual stages, no room temperature control	[no]
				with mechanic thermostat room temperature control	[yes]
				with electronic room temperature control	[no]
				electronic room temperature control plus day timer	[no]
				electronic room temperature control plus week timer	[yes]
				<b>Other control options (multiple selections possible)</b>	
				room temperature control, with presence detection	[no]
				room temperature control, with open window detection	[yes]
				with distance control option	[no]
				with adaptive start control	[no]
				with working time limitation	[yes]
				with black bulb sensor	[no]