

FMI320X

classic

"Classic" Microwave Oven with Electric Grill, Finger Friendly Stainless Steel and Eclipse Glass

EAN13: 8017709224004

- 5 functions including Defrost by time & weight.
- 3 Automatic programmes
- Other functions: Memory
- Touch controls
- Electronic timer
- Quartz grill 1.0kW
- Microwave output power: 850W
- Stainless Steel interior
- 1 x 25W light
- Air cooling system
- Quick start option
- Child safety lock
- End of cooking acoustic alarm

STANDARD ACCESSORIES:

- Frame
- Shelf
- Turntable

- Net capacity: 20 litres
- Gross capacity: 21 litres

- Nominal power: 1.20 kW



Functions



Main oven



Main oven



Grill element:

For rapid cooking and browning of foods. Best results can be obtained by using the top shelf for small items, the lower shelves for larger ones, such as chops or sausages. For half grill heat is generated only at the centre of the element, so is ideal for smaller quantities.



Defrost by time:

The circulation of air enables quicker thawing of frozen food, without the use of any heat. The microwaves power will be automatically varied to achieve the best thawing results.



Defrost by weight:

The circulation of air enables quicker thawing of frozen food, without the use of any heat. The defrosting time will be calculated based on the food's type and weight and the microwaves power will be automatically varied to achieve the best thawing results.



Microwave:

Penetrating straight into the food, microwaves cook very quickly and with considerable energy savings. Suitable for cooking without fat, they are also able to thaw and heat food without altering its original appearance and aroma. The microwave function can also be combined with conventional functions with all the resulting advantages. Ideal for all types of food.



Microwave + grill element:

To achieve a combined cooking with grill that cooks the outside whilst assuring an internal cooking thanks to the microwave function.

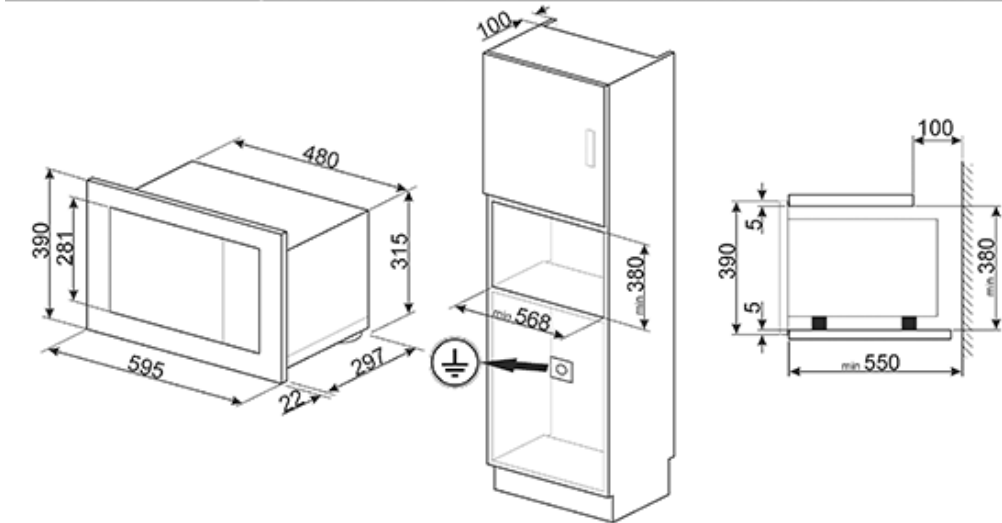
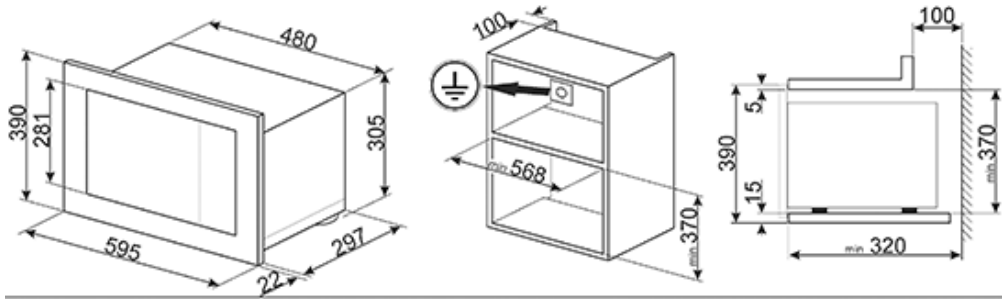
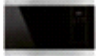




FMI320X

classic

microwave
60 cm
stainless steel/black



Smeg (UK) Ltd
The Magna Building, Wyndyke Furlong, Abingdon
OX14 1DZ
Tel. +44 (0)844 557 9907
Fax +44 (0)844 557 9337