

N 30
H53W50N3GB
MICROWAVE OVEN
STAINLESS STEEL



COOKING PASSION SINCE 1877



Features

Technical Data

Type of micro-wave oven : MW only
Type of control : Electronic
Color / Material Front : Stainless steel
Dimensions of the product (mm) : 280 x 453 x 320
Cavity dimensions (mm) : 194.0 x 290 x 285.0
Length of electrical supply cord (cm) : 130
Net weight (kg) : 15.2
Gross weight (kg) : 17.0
EAN code : 4242004159377
Maximum micro-wave power (W) : 800
Connection rating (W) : 1270
Current (A) : 10
Voltage (V) : 230
Frequency (Hz) : 50
Plug type : GB plug



4 242004 159377



N 30
H53W50N3GB
MICROWAVE OVEN
STAINLESS STEEL

Features

Programmes/functions

- Microwave
- 7 automatic programmes

Special features

- 1 recipe memory position
- Electronic control

Features

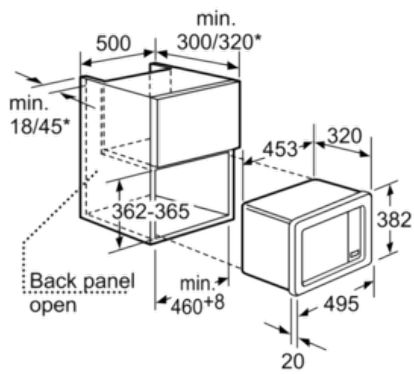
- 24 hour LED clock
- Interior light
- Stainless steel interior
- 24.5 cm Glass turntable
- 5 power level microwave
90-180-360-600-800 Watts
- Retractable control
- Simple operating electronics Push button controls and Bevelled oval controls, Retractable control
- Left hinged side opening door

Standard accessories

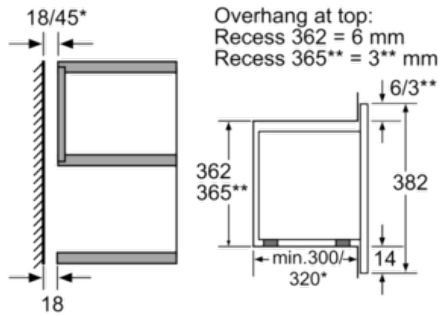
- Builds into a 50cm wide wall cupboard. Trim included.

N 30
H53W50N3GB
MICROWAVE OVEN
STAINLESS STEEL

Dimensioned drawings



* = values for appliance with grill
Measurements in mm



Overhang at bottom: = 14 mm
* = value for appliance with grill

Measurements in mm