

## iQ700

Brand Value Class: IQ700

Single oven

HB672GBS1B black, stainless steel



"The oven offers modern baking and roasting convenience for best results."

- ✓ 4D hotAir: flexible choice of shelf.
- ✓ TFT Display: good readability from any perspective.
- ✓ activeClean: the automatic system for effortless cleaning.
- ✓ Energy efficiency class A+: For more efficient roasting and baking.
- ✓ softMove: gentle opening and closing of the oven door.

### Features

#### Technical Data

Color / Material Front : Stainless steel  
 Construction type : Built-in  
 Integrated Cleaning system : Pyrolytic  
 Required niche size for installation (HxWxD) : 585-595 x 560-568 x 550  
 Dimensions of the product (mm) : 595 x 594 x 548  
 Dimensions of the packed product (HxWxD) (mm) : 670 x 680 x 670  
 Control Panel Material : Stainless steel  
 Door Material : Glass  
 Net weight (kg) : 38.0  
 Usable volume of cavity (l) : 71  
 Cooking method : , 4D hot air, Conventional heat, Deep-frozen food special, Full width grill, Hot Air-Eco, Hot air grilling, Pizza setting  
 First cavity material : Enamelled  
 Temperature control : electronic  
 Number of interior lights : 1  
 Approval certificates : CE, VDE  
 Length of electrical supply cord (cm) : 120  
 EAN code : 4242003672525  
 Number of cavities (2010/30/EC) : 1  
 Energy efficiency class (2010/30/EC) : A+  
 Energy consumption per cycle conventional (2010/30/EC) : 0.87  
 Energy consumption per cycle forced air convection (2010/30/EC) : 0.69  
 Energy efficiency index (2010/30/EC) : 81.2  
 Electrical connection rating (W) : 3600  
 Current (A) : 16  
 Voltage (V) : 220-240  
 Frequency (Hz) : 60; 50  
 Plug type : no plug

#### Included accessories

2 x combination grid, 1 x universal pan



#### Optional accessories

HZ6BCA0 Cookbook

## iQ700

## Brand Value Class: IQ700

## Single oven

## HB672GBS1B black, stainless steel

## Features

**Design**

- Bar handle
- Cavity inner surface: Enamel anthracite

**Key Information**

- Pyrolytic cleaning in main oven
- 2.8" TFT Display
- Drop down oven door, softClose, softOpen
- TFT clearText display
- Digital temperature display with proposal  
Actual temperature display  
Heating-up indicator  
Sabbath setting
- Light on/off when door opened/closed
- Control panel lock  
Automatic safety switch off  
Residual heat indicator  
Start button  
Door contact switch
- Residual heat indicator
- Control panel lock
- Info button

**Features**

- Electronic oven clock timer
- Main on/off switch
- Full glass inner door
- 1 interior halogen light
- 5 shelf positions in oven
- Pyrolytic proof baking tray
- Integral cooling fan

**Programmes/functions**

- Oven with 8 heating methods: 4D hot air, hotairEco, conventional top & bottom heating, Conventional heat ECO, hot air grilling, full width grill, Pizza setting, coolStart
- Fast pre-heating function

**Performance/technical information**

- Stainless-steel fan
- Temperature range 30 °C - 275 °C
- Maximum door temperature 30 °C
- Energy efficiency rating A+
- Energy efficiency rating (acc. EU Nr. 65/2014):  
Energy consumption per cycle in conventional mode: 81.2  
Energy consumption per cycle in fan-forced convection mode: 0.69  
kwh  
Number of cavities: 1  
Cavity volume: 71 litres
- Length of mains cable: 120 cm
- Total connected load electric: 3.6 KW
- Appliance dimension (hxwxd): 595 mm x 594 mm x 548 mm
- Niche dimension (hxwxd): 585 mm - 595 mm x 560 mm - 568 mm  
x 550 mm
- Please refer to the dimensions provided in the installation manual

**Standard accessories**

- 2 x combination grid, 1 x universal pan

iQ700

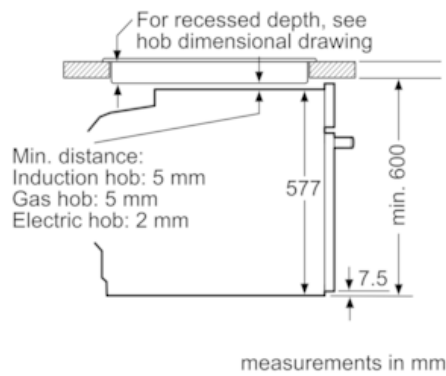
Brand Value Class: IQ700

Single oven

HB672GBS1B black, stainless steel

Dimensioned drawings

Installation with a hob.



If the appliance will be installed underneath a hob, the following worktop thicknesses (including substructure if necessary) must be taken into account.

Hob type	min. worktop thickness	
	fitted	flush
Induction hob	37 mm	38 mm
Full surface Induction hob	47 mm	48 mm
Gas hob	30 mm	38 mm
Electric hob	27 mm	30 mm

