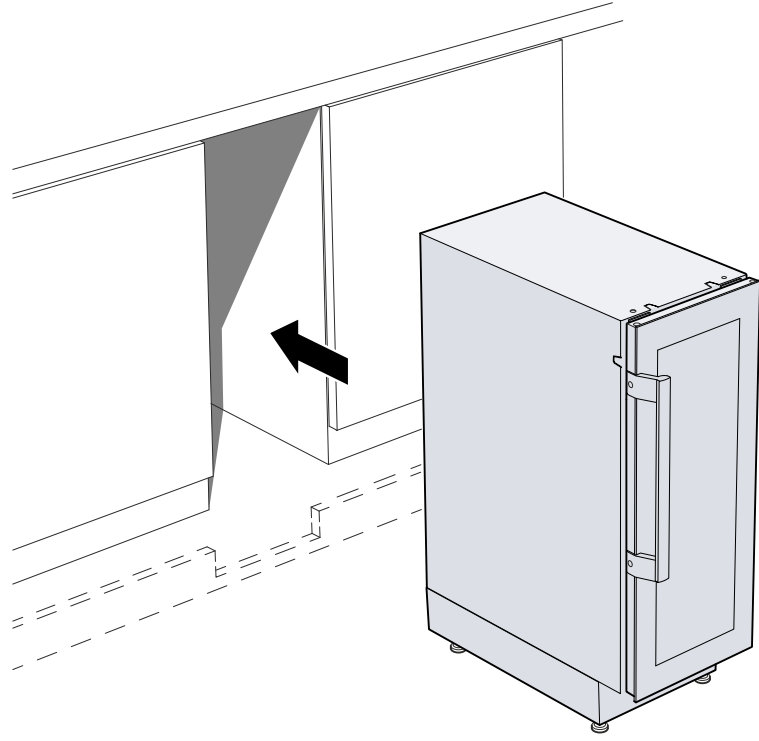




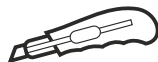
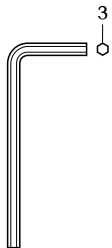
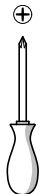
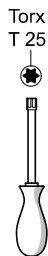
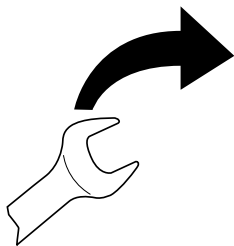
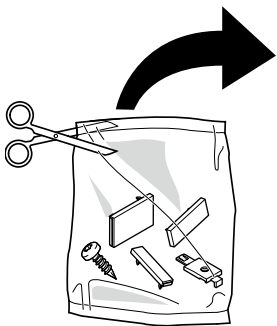
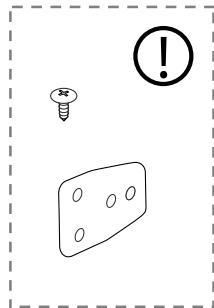
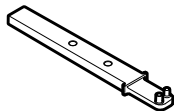
9001542637 (010209)

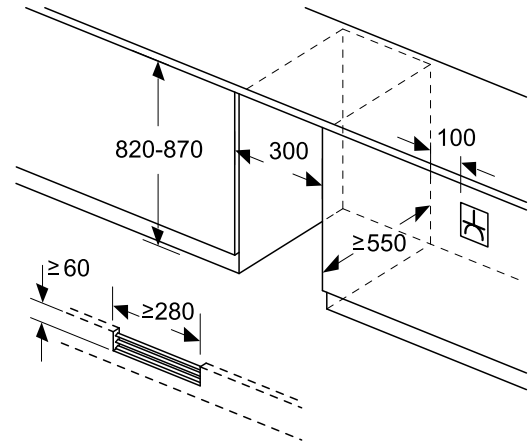
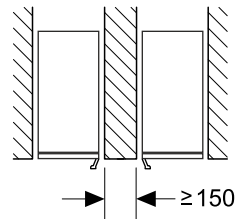
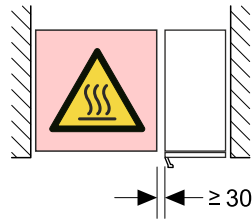
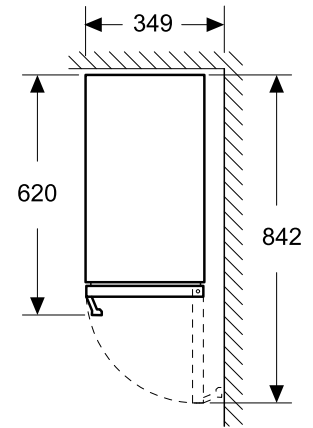
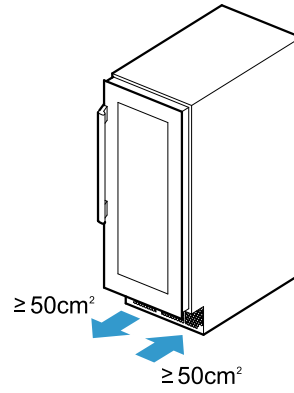
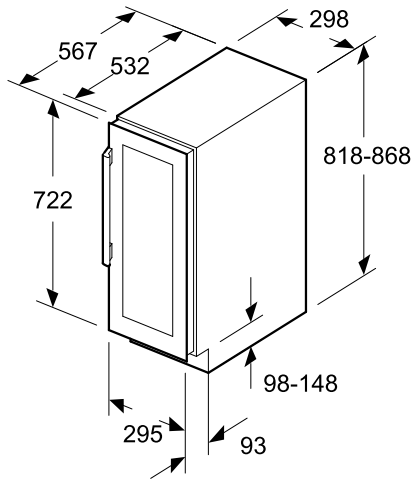
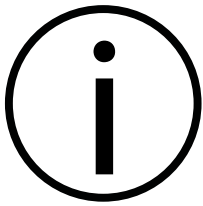


mm

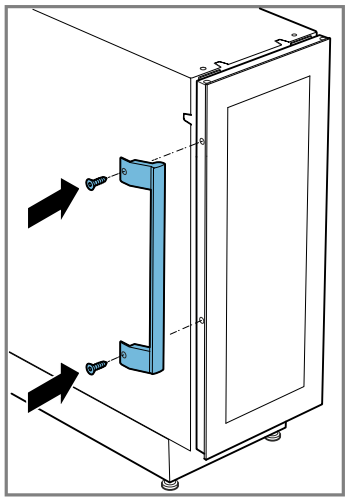
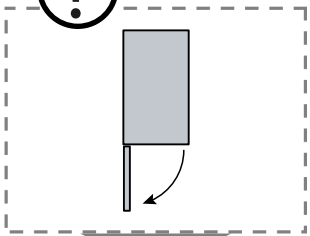
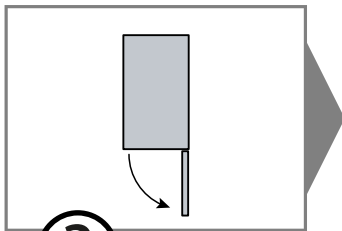
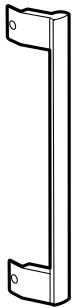


T25

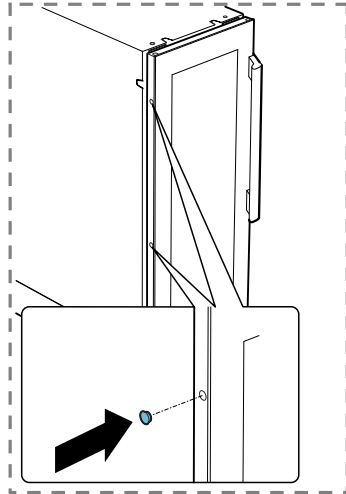
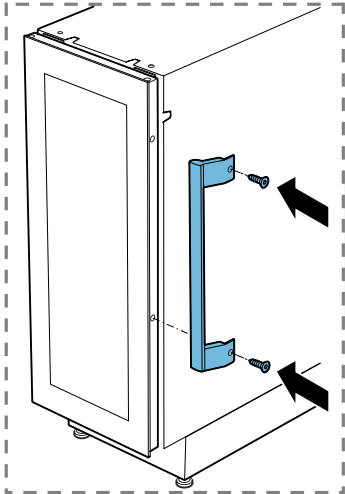
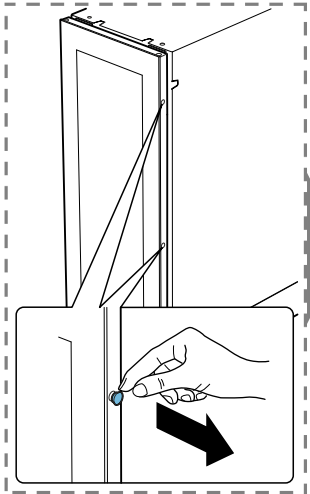



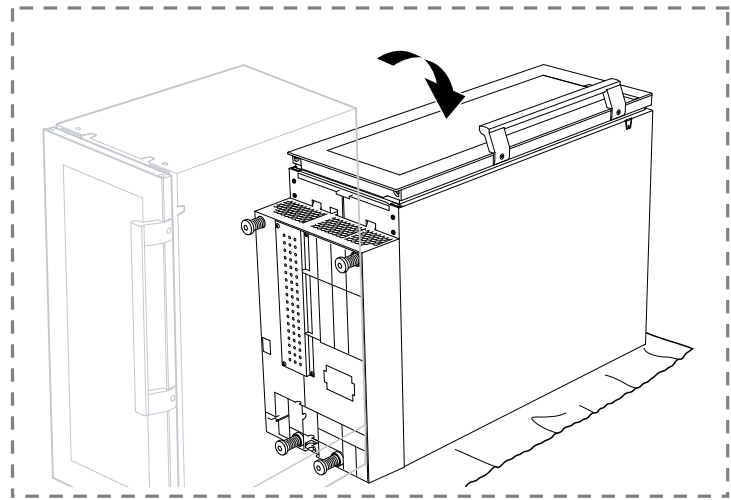
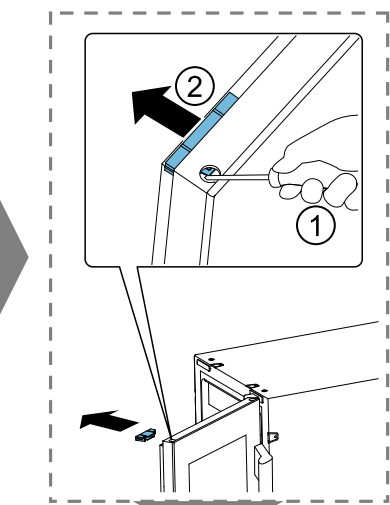
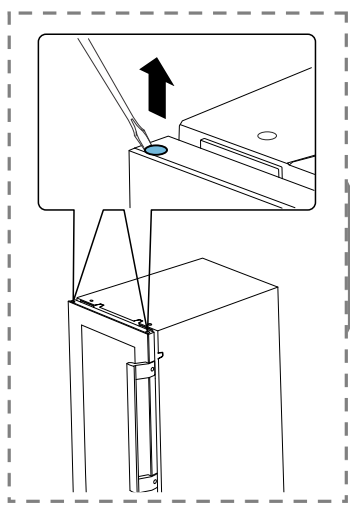
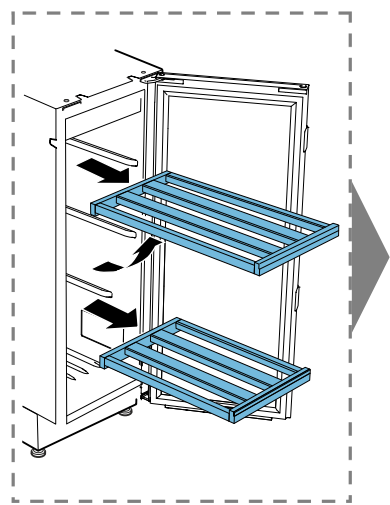
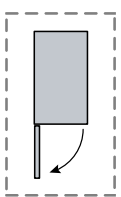


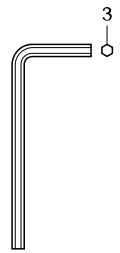
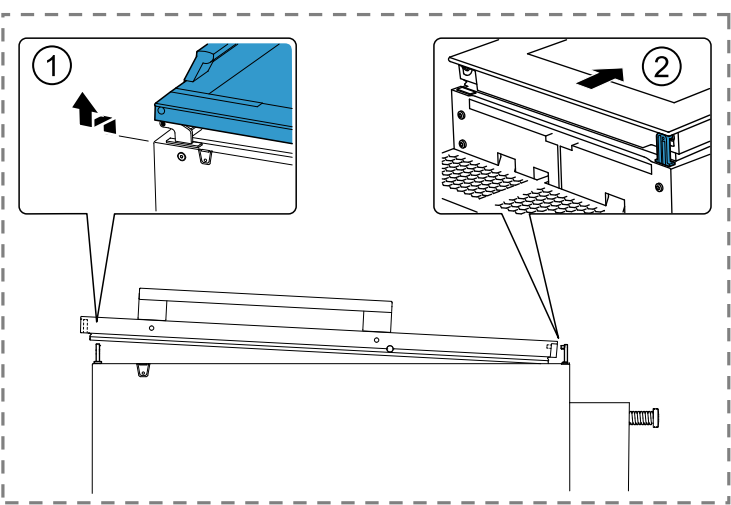
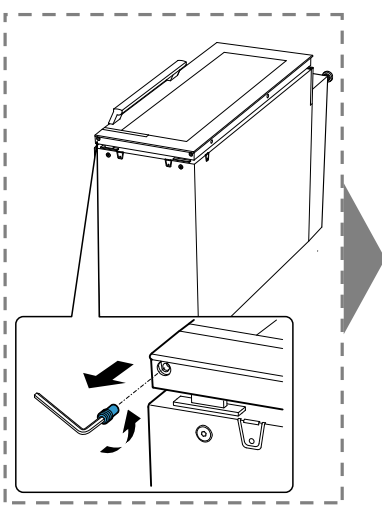
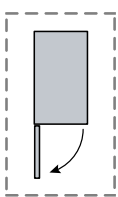
T25

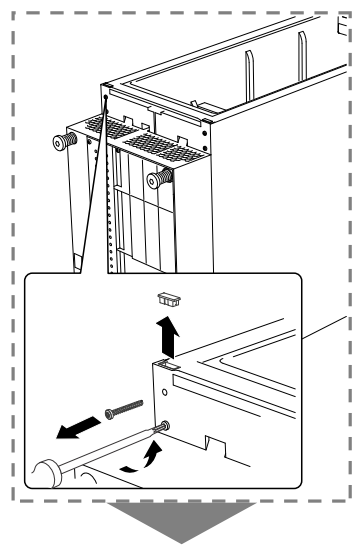
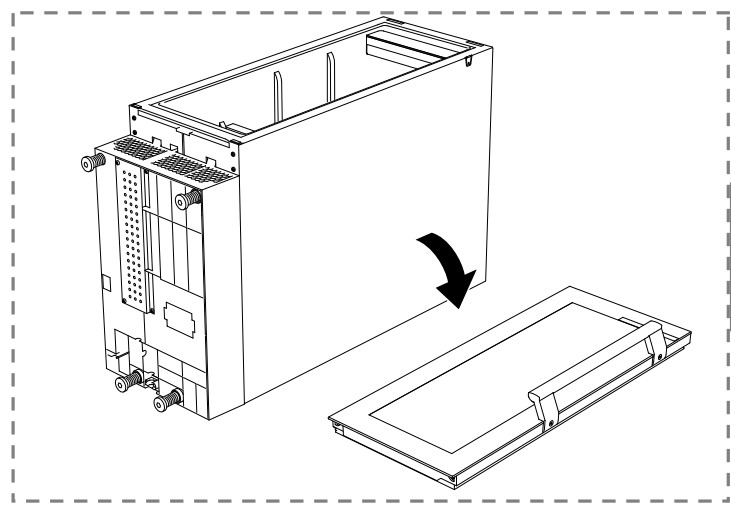
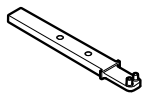
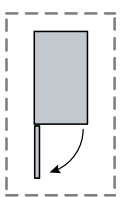


Torx
T 25

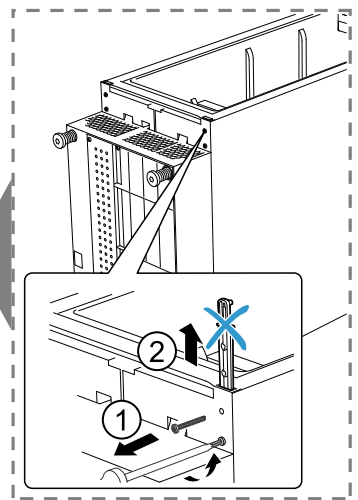
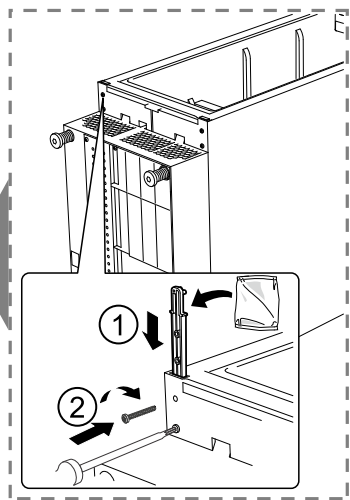
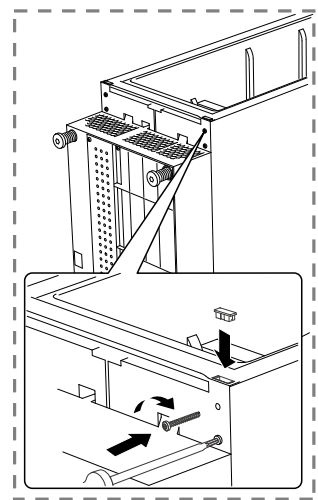
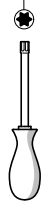


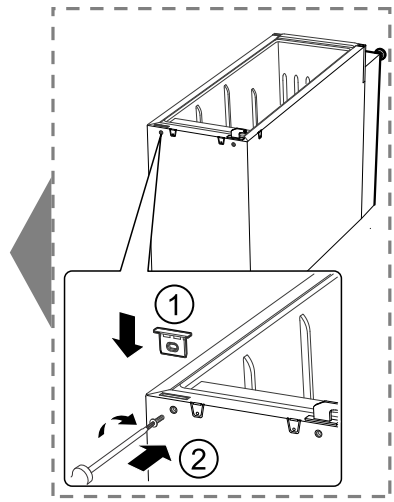
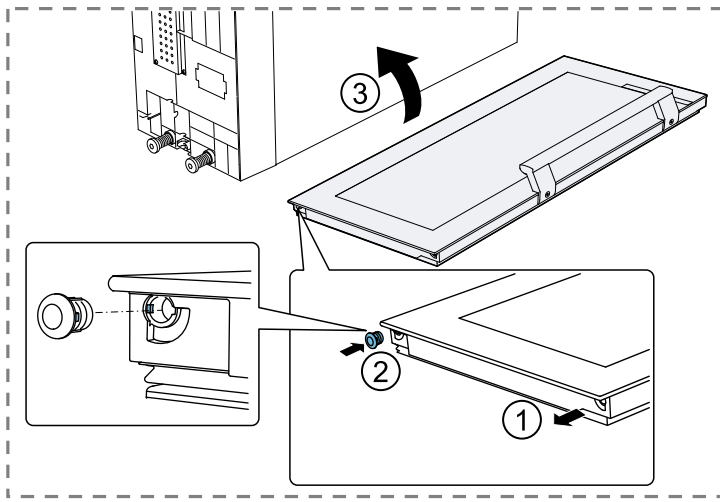
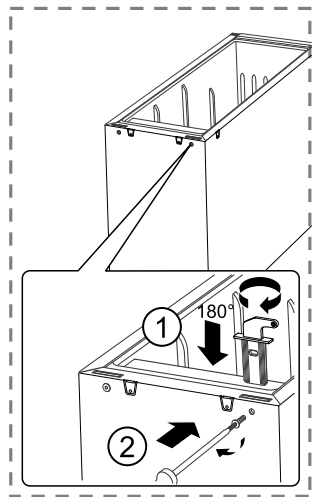
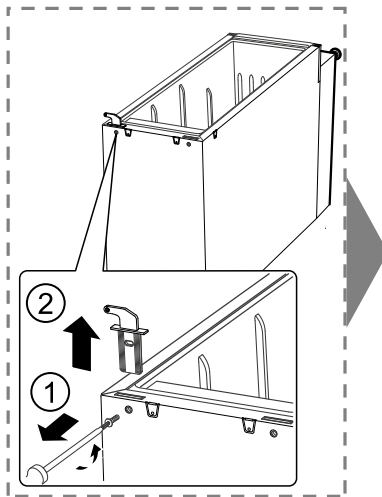
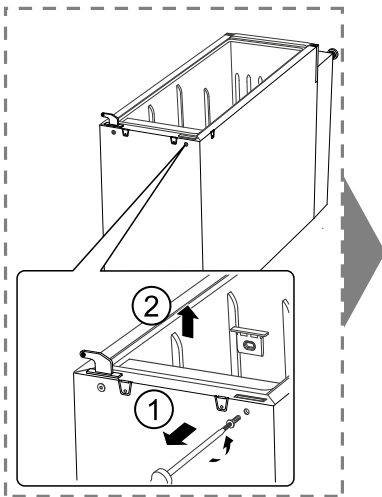
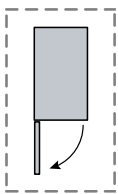






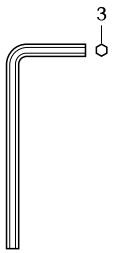
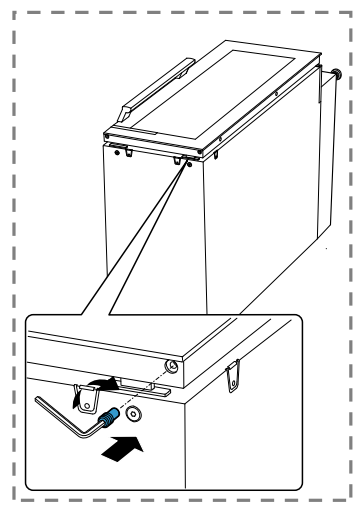
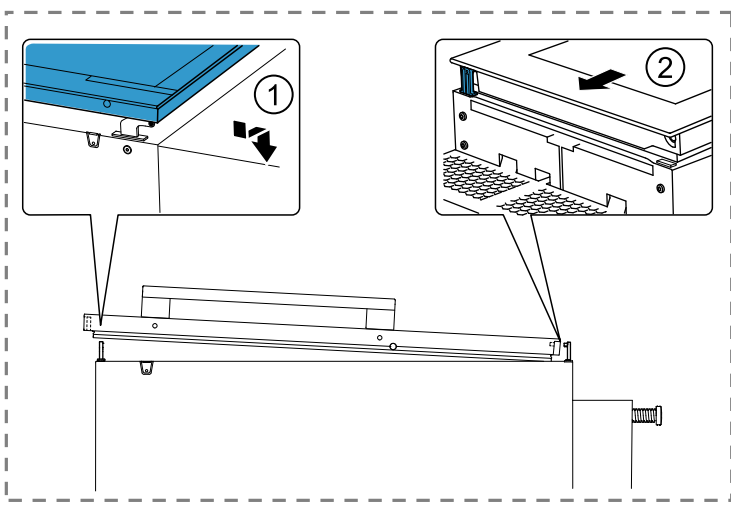
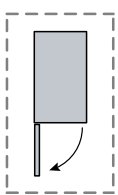
Torx
T 20

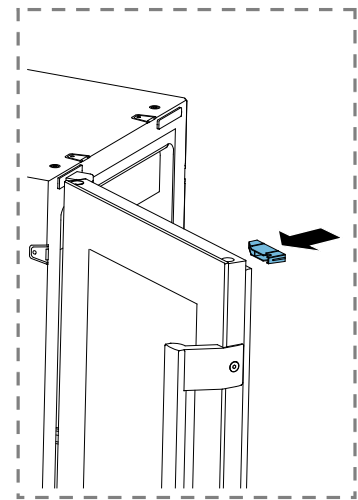
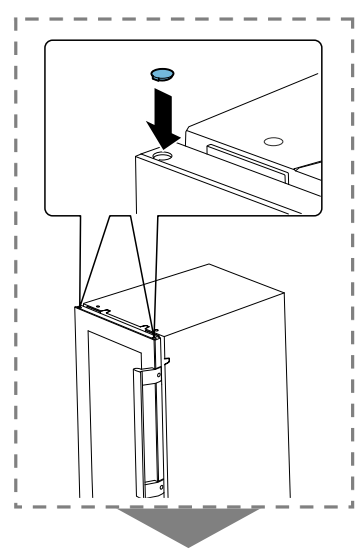
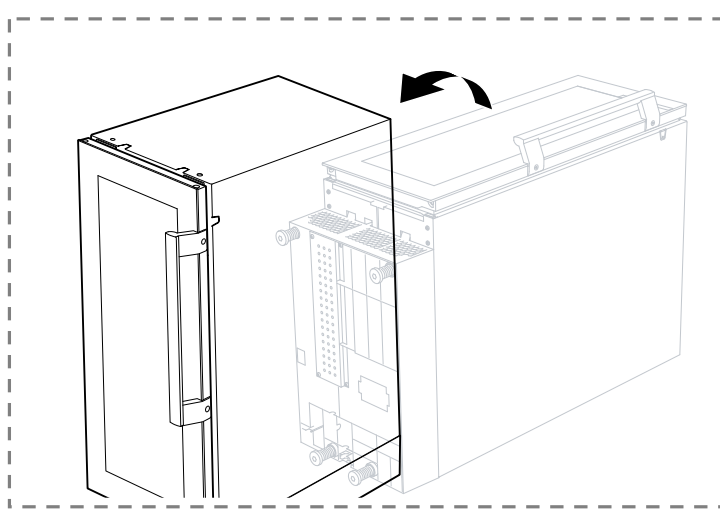
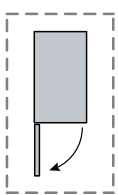


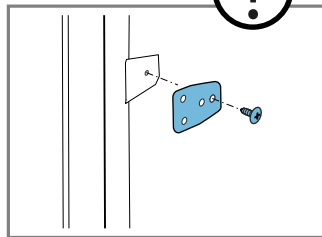
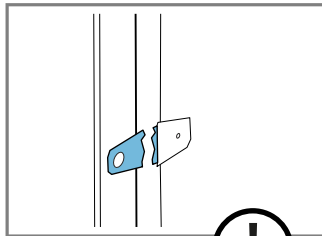
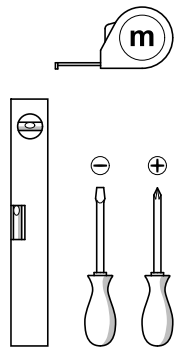
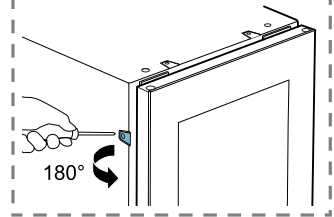
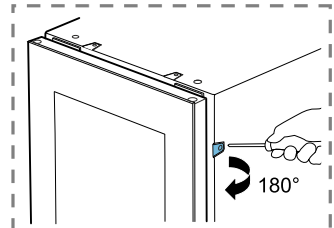
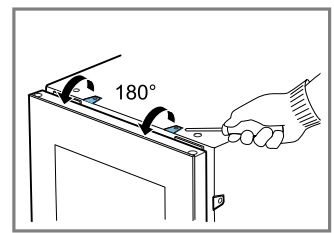
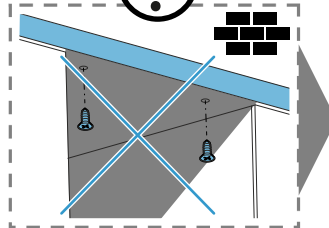
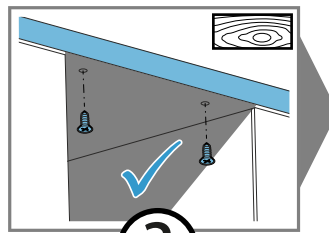
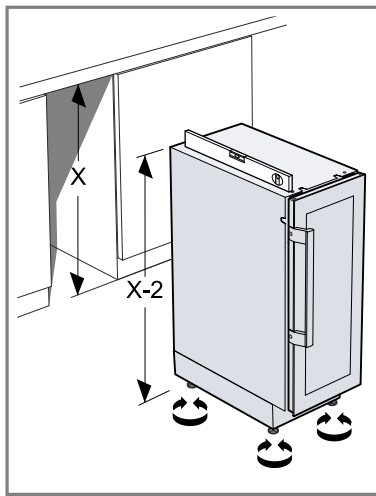
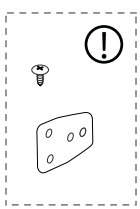


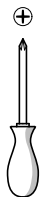
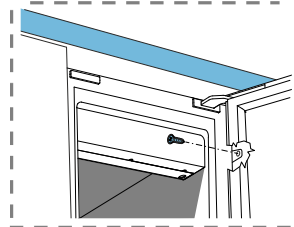
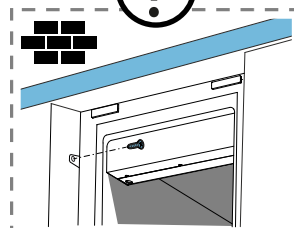
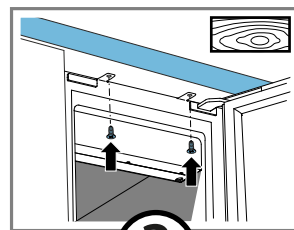
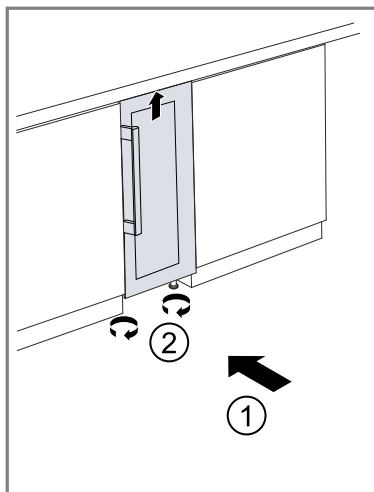
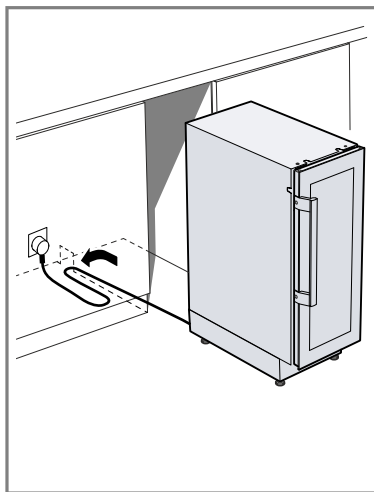
Torx
T 25

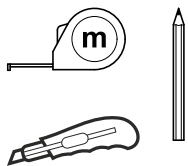
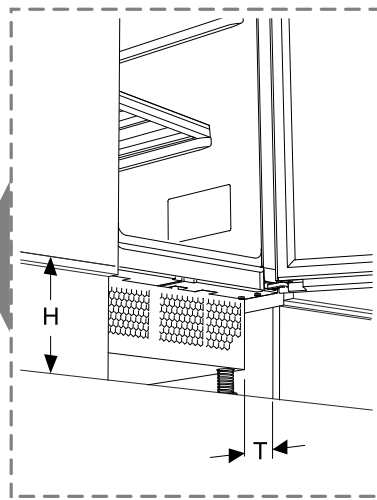
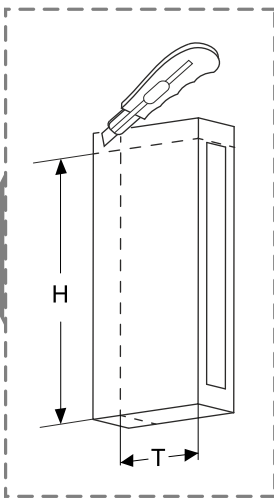
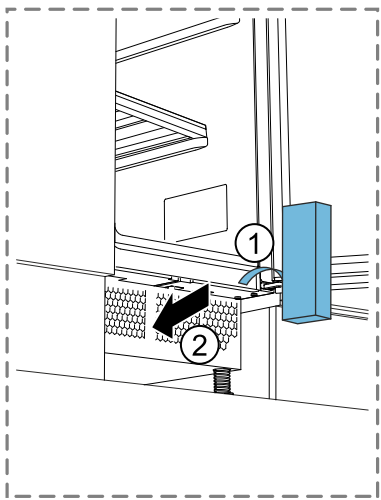
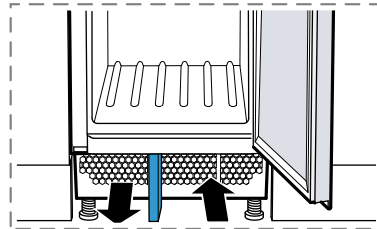
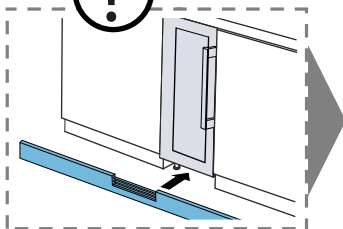
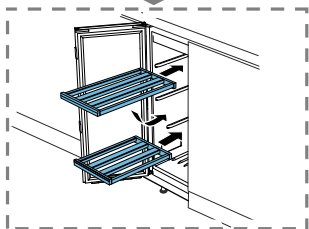
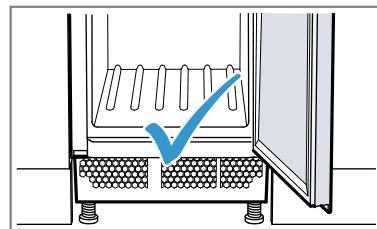
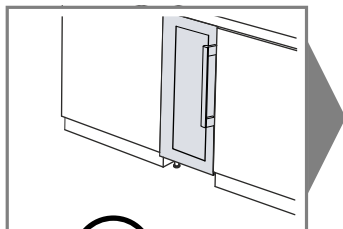
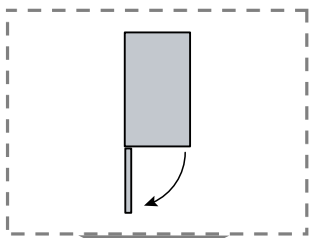














A series of horizontal lines for writing, starting from a vertical margin line on the left and extending across the page.

