



XUL85 XXX XXXX
XUL85 XXX XXX
XUL95 XXX XXXX
XUL95 XXX XXX
SMP 85 X XX



Operating Instructions

REFRIGERATOR/FREEZER COMBINATION

Contents

Operating Instructions, 1
Assistance, 2
Description of the appliance, 3
Description of the appliance, 4
Reversible doors, 5
Installation, 6
Start-up and use, 7
Maintenance and care, 8
Precautions and tips, 8
Troubleshooting, 9

Product Guarantee and Repair Information

Guarantee

12 Months Parts and Labour Guarantee

Your appliance has the benefit of our manufacturer's guarantee, which covers the cost of breakdown repairs for twelve months from the date of purchase.

This gives you the reassurance that if, within that time, your appliance is proven to be defective because of either workmanship or materials, we will, at our discretion, either repair or replace the appliance at no cost to you:

This guarantee is subject to the following conditions:

- The appliance has been installed and operated correctly and in accordance with our operating and maintenance instructions.
- The appliance is used only on the electricity or gas supply printed on the rating plate.
- The appliance has been used for normal domestic purposes only.
- The appliance has not been altered, serviced, maintained, dismantled, or otherwise interfered with by any person not authorised by us.
- Any repair work must be undertaken by us or our appointed agent.
- Any parts removed during repair work or any appliance that is replaced become our property.
- The appliance is used in the United Kingdom or Republic of Ireland.

The guarantee does not cover:

- Damage resulting from transportation, improper use, neglect or interference or as a result of improper installation.
- Replacement of any consumable item or accessory. These include but are not limited to: plugs, cables, batteries, light bulbs, fluorescent tubes and starters, covers and filters.
- Replacement of any removable parts made of glass or plastic.

THIS GUARANTEE WILL NOT APPLY IF THE APPLIANCE HAS BEEN USED IN COMMERCIAL OR NON-DOMESTIC PREMISES.

Recycling and Disposal Information

As part of Hotpoint's continued commitment to helping the environment, Hotpoint reserves the right to use quality, recycled components to keep down customer costs and minimise material wastage.

Please dispose of packaging and old appliances carefully. To minimise the risk of injury to children, remove the door, plug, and cut the mains cable off flush with the appliance. Dispose of these parts separately to ensure that the appliance can no longer be plugged into mains socket, and the door cannot be locked shut.

Repairs and After Sales

For product help and advice, repairs, spare parts or accessories, we're here to help.

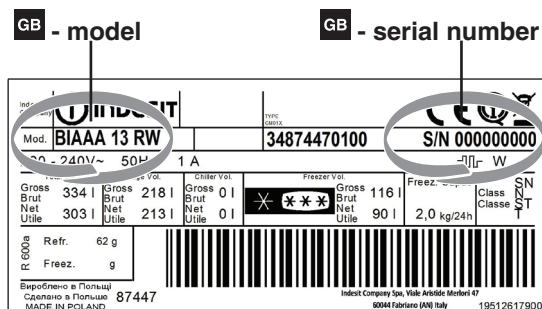
For local repair engineers - **03448 111 606**
ROI - **0818 313 413**

UK standard local rate applies
ROI local Irish rate applies

For Parts and Accessories visit:
parts.hotpoint.co.uk/shop

Please remember to register your appliance at **www.hotpointservice.co.uk** to activate your 10 year parts guarantee.

Please note, our advisors will require the following information: model number, serial number



Description of the appliance

Control panel

1. ON/OFF

The entire product (both the refrigerator and freezer compartments) may be switched on by pressing this button.

2. REFRIGERATOR — and + temperature adjustment

Used to modify the temperature setting of the refrigerator; confirmation corresponding to the selected temperature appears on the display.

3. Refrigerator display

Shows the set temperature for the refrigerator compartment.

4. ALARM

An alarm situation has been detected in the product (see Troubleshooting section).

5. FREEZER display

Shows the set temperature for the freezer compartment.

6. FREEZER — and + temperature adjustment

Used to modify the temperature setting of the freezer; confirmation corresponding to the selected temperature appears on the display.

7. SUPER FREEZE

Thanks to the Super Freeze feature you can freeze food in much shorter times. In this way the water contained in food transforms into micro ice crystals. They are so small that they don't damage the food tissues. In this way the nutritional values both of fresh and cooked foods remain unchanged.

At the end of the freezing process the temperature reverts to the programmed level.

In order to get better results, we recommend that you enable this feature 1 hour before you start inserting food inside the freezer compartment.

This feature works for max. 24 hours

8. ECO*

Controls the activation and deactivation of the ECO function (optimal operating temperature for minimal energy consumption). Consumption will be optimised 24h after the function was enabled. When this function is activated, the ECO LED on the keypad lights up. Press and hold the ECO button for 8 seconds so that the corresponding LED begins to flash; this will allow you to set the temperature to in the Refrigerator compartment and in the Freezer compartment. Two minutes after the most recent user interaction, the display enters its energy saving mode. To exit the energy saving mode, simply press any button or open the refrigerator door.

8. ACTIVE OXIGEN*

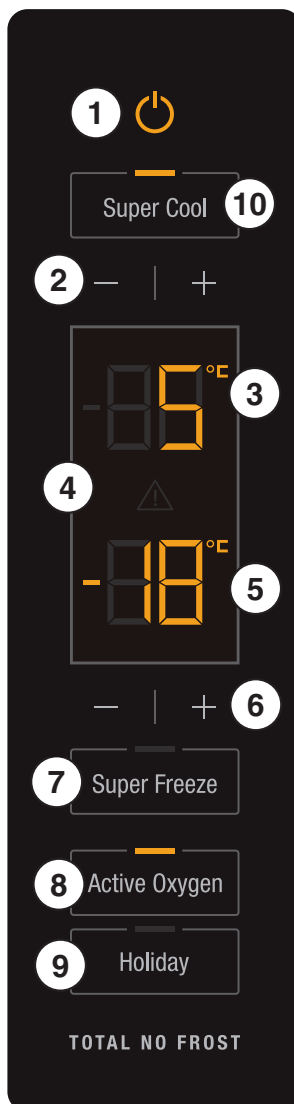
This device releases ozone molecules inside the refrigerator; ozone is a natural substance which combats bacteria and microorganisms, reducing their proliferation while limiting unpleasant odours. Automatically defines the amount of ozone required for prolonging the freshness of foodstuffs, eliminating odours and preventing bacteria build-up. There may be a slight distinctive odour inside the refrigerator. The very same smell can sometimes be detected during a storm, due to the ozone produced as the charge in the lightning bolts is released; this is completely normal. The amount produced by the device is very small and abates quickly as the antibacterial action takes place. Device is activated pressing the dedicated key on the display located in front of the fridge door. By holding the Active Oxygen button for 8 seconds you can enable the ECO feature.

9. HOLIDAY

Activates or deactivates the HOLIDAY function (the HOLIDAY LED on the keypad lights up), while the temperature values +12°C and -18°C appear on the refrigerator and freezer displays respectively. Two minutes after the most recent user interaction, the display enters its energy saving mode (see ECO function).

10. SUPER COOL

You can enable or disable the SUPER COOL feature (quick cooling of both fresh and just cooked food). On the keyboard the SUPER COOL LED turns on as well as on the fridge display.



*Available only on certain models.

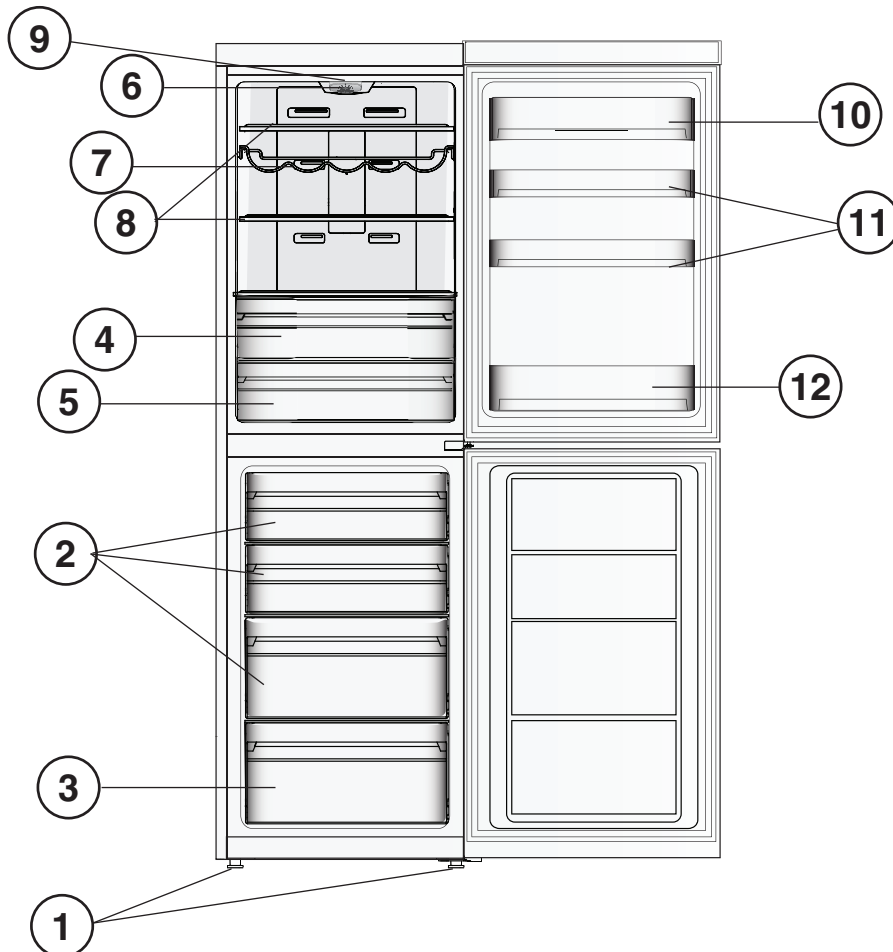
Description of the appliance

Overall view

The instructions contained in this manual are applicable to different model refrigerators. The diagrams may not directly represent the appliance purchased. For more complex features, consult the following pages.

- 1 Levelling **FEET**
- 2 **STORAGE** compartment*
- 3 **FREEZER** and **STORAGE** compartment
- 4 **FRUIT** and **VEGETABLE** bin *
- 5 **COMPARTMENT 3 IN 1 ZONE****
- 6 **LAMP** (see Maintenance).
- 7 **WINE RACK** *
- 8 **SHELVES** *
- 9 **ACTIVE OXYGEN***
- 10 Extractable **STORAGE shelf WITH COVER**
- 11 Removable multipurpose **SHELVES** *
- 12 **BOTTLE** shelf

* Varies by number and/or position, available only on certain models.



Reversible doors

If it is necessary to change the direction in which the doors open, please contact the Technical Assistance Centre.

Installation

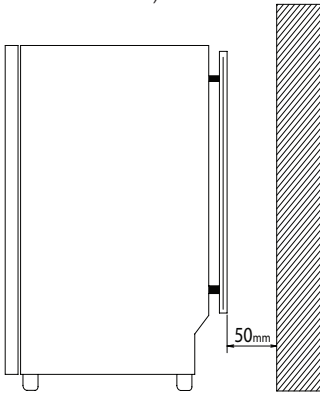
! Before placing your new appliance into operation please read these operating instructions carefully. They contain important information for safe use, for installation and for care of the appliance.

! Please keep these operating instructions for future reference. Pass them on to possible new owners of the appliance.

Positioning and connection

Positioning

1. Place the appliance in a well-ventilated humidity-free room.
2. Do not obstruct the rear fan grills. The compressor and condenser give off heat and require good ventilation to operate correctly and save energy.
3. Leave a space of at least 10 cm between the top part of the appliance and any furniture above it, and at least 5 cm between the sides and any furniture/side walls.
4. Place the device far from heat sources (direct sun light, electric kitchen etc.)



Levelling

1. Install the appliance on a level and rigid floor.
2. If the floor is not perfectly horizontal, adjust the refrigerator by tightening or loosening the front feet.

Electrical connections

After the appliance has been transported, carefully place it vertically and wait at least 3 hours before connecting it to the electricity mains. Before inserting the plug into the electrical socket ensure the following:

- The appliance is earthed and the plug is compliant with the law.
- The socket can withstand the maximum power of the appliance,
- The voltage must be in the range between the values indicated on the data plate located on the bottom left side (e.g. 220-240V).
- The socket is compatible with the plug of the appliance. If the socket is incompatible with the plug, ask an authorised technician to replace it (see Assistance). Do not use extension cords or multiple sockets.

! Once the appliance has been installed, the power supply cable and the electrical socket must be easily accessible.

! The cable must not be bent or compressed.

! The cable must be checked regularly and replaced by authorised technicians only (see Assistance).

! The manufacturer declines any liability should these safety measures not be observed.

Your appliance is supplied with a 13amp fused plug that can be plugged into a 13amp socket for immediate use. Before using the appliance please read the instructions below.

WARNING:
THIS APPLIANCE MUST BE EARTHED.

Replacing fuse covers:

When replacing a faulty fuse, a 13amp ASTA approved fuse to BS 1362 should always be used and the fuse cover re-fitted.

If the fuse cover is lost, the plug must not be used until a replacement is obtained.

Replacement fuse covers:

If a replacement fuse cover is fitted, it must be of the correct colour as indicated by the coloured marking or the colour that is embossed in words on the base of the plug.

Changing the plug:

Removing the plug

If your appliance has a non-rewireable moulded plug and you should wish to remove it to add a longer cable or to re-route the mains cable through partitions, units etc. please ensure that either:

- The plug is replaced by a fused 13amp re-wireable plug bearing the BSI mark of approval.

or

- The mains cable is wired directly into a 13amp cable outlet, controlled by a switch (in compliance with BS 5733) which is accessible without moving the appliance.

Disposing of the plug

Cut off and dispose of the supplied plug if it does not fit your socket. The cable should be cut as close as possible to the moulded plug.

Remove the fuse.

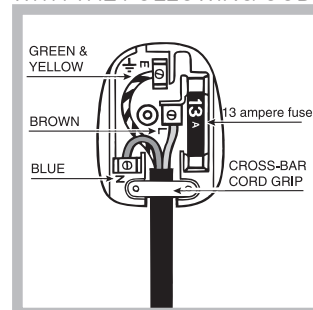
WARNING:

To avoid a shock hazard do not insert the discarded plug into a socket anywhere else.

Fitting a new plug


IMPORTANT:

WIRES IN THE MAINS LEAD ARE COLOURED IN ACCORDANCE WITH THE FOLLOWING CODE...



Green and Yellow	- Earth
Blue	- Neutral
Brown	- Live

As the colours of the wires in the mains lead may not correspond with the coloured markings identifying the terminals in your plug, proceed as follows:

- Connect **Green and Yellow** wire to terminal marked 'E' or  or coloured Green and Yellow.
- Connect **Brown** wire to terminal marked 'L' or coloured red or brown.
- Connect **Blue** wire to terminal marked 'N' or coloured Black or Blue.

If a 13amp plug (BS 1363) is used it must be fitted with a 13amp fuse.

If you are in any doubt about the electrical supply to your machine, consult a qualified electrician before use.

CE Marking certifies that this appliance conforms to the following EEC directives:

**Low Voltage Equipment - 73/23/EEC & 93/68 EEC
Electromagnetic Compatibility 89/336/EEC, 92/31/EEC & 93/68/EEC**

* Varies by number and/or position, available only on certain models.

Start-up and use

Starting the appliance

! After transportation of the appliance, carefully place it in an upright position and wait at least 3 hours before connecting it to the electricity mains, to make sure it operates as it should.

- Clean the inside of the refrigerator well using warm water and bicarbonate of soda before placing food inside it.
- The appliance comes with a motor protection control system which makes the compressor start approximately 8 minutes after being switched on. The compressor also starts each time the power supply is cut off whether voluntarily or involuntarily (blackout).

Freezer Compartment

When the product is switched on the freezer compartment is set to its default value of -18°C . We recommend that the SUPER FREEZE function is set (the freezer status bar continues to display the set value) in order to accelerate the cooling process of the compartment; when the inside of the compartment has reached its optimal temperature the function will be deactivated and the food may be placed inside.

Navigating the display

Setting the temperatures:

If the product is switched on, the refrigerator and freezer compartment displays will indicate the temperature values set at that moment. To change them, simply press the **-** and **+** buttons corresponding to the compartment for which you wish to change the set temperature. More specifically, each time the buttons are pressed, the temperature increases or decreases and the level of cold generated inside the compartment is adjusted accordingly. The temperature values that may be selected for the refrigerator compartment are $+8^{\circ}\text{C}$, $+7^{\circ}\text{C}$, $+6^{\circ}\text{C}$, $+5^{\circ}\text{C}$, $+4^{\circ}\text{C}$, $+3^{\circ}\text{C}$ and $+2^{\circ}\text{C}$, while the values that may be set for the freezer are -18°C , -19°C , -20°C , -21°C , -22°C , -23° , -24°C , -25° , and -26°C .

When the **ECO** function is active, the appliance automatically adjusts the temperatures according to the conditions inside and outside the refrigerator, in order to minimise the amount of energy consumed; the activation of this function is signalled by the **ECO** LED on the keypad lighting up.

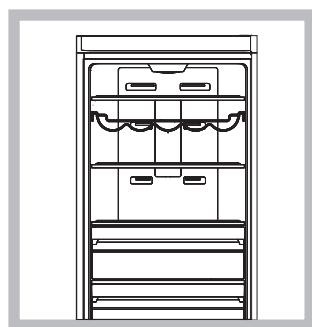
When the **HOLIDAY** function is active the temperature may not be adjusted, however the appliance adjusts itself automatically so that the optimal settings for the situation are used: **$+12^{\circ}\text{C}$** for the refrigerator compartment and **-18°C** for the freezer compartment. The activation of this function is indicated by the **HOLIDAY** LED lighting up.

To activate and deactivate the functions, simply press the relevant button; the function status will be signalled by the corresponding LED on the keypad switching on or off.

Several of the functions (**SUPER COOL**, **SUPER FREEZE**, **ECO**) are incompatible with others (**HOLIDAY**,...); remember that there is a pre-established order of priority which will help you to operate the product in the best possible way.

Cooling system

No Frost



The No Frost system circulates cold air continuously to collect humidity and prevent ice and frost formation. The system maintains an optimal humidity level in the compartment, preserving the original quality of the food, preventing the food from sticking together and making defrosting a thing of the past. Do not block the aeration cells by placing food or containers in direct contact with the refrigerating back panel. Close bottles and wrap food tightly.

Using the refrigerator to its full potential

- Place only cold or lukewarm foods in the compartment
- Remember that cooked foods do not last longer than raw foods.
- Do not store liquids in open containers: they will increase the level of humidity in the refrigerator and cause condensation to form.

COMPARTMENT 3 IN 1 ZONE*

This is the new box which offers maximum flexibility in order to stock your food in an excellent way.

-store meat, fish and delicate food;
-rapid cooling of hot food from 70°C to 3°C and of other fresh foods and leftovers

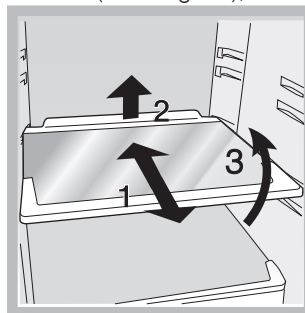
-low temperature defrosting (it inhibits the proliferation of microorganisms).

You can get the 0°C temperature, in standard conditions, when the fridge compartment temperature is at about 4°C .

By decreasing the fridge temperature you decrease the CHILLER compartment temperature too.

SHELVES:

Due to the special guides the shelves are removable and the height is adjustable allowing easy storage of large containers and food. Height can be adjusted without complete removal of the shelf. (see diagram),



TEMPERATURE Indicator light*: to identify the coldest area in the refrigerator.

1. Check that OK appears clearly on the indicator light (see diagram).

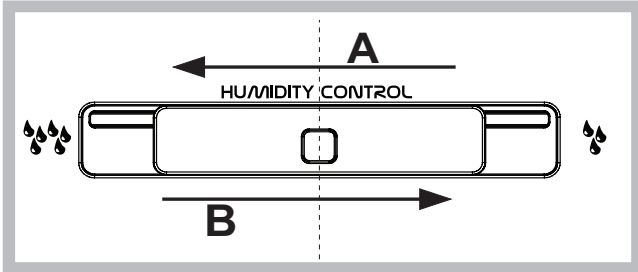


2. If the word "OK" does not appear it means that the temperature is too high: adjust the REFRIGERATOR OPERATION knob to a higher position (colder) and wait approximately 10 hours until the temperature has been stabilised.
3. Check the indicator light again: if necessary, readjust it following the initial process. If large quantities of food have been added or if the refrigerator door has been opened frequently, it is normal for the indicator not to show OK. Wait at least 10 hours before adjusting the REFRIGERATOR OPERATION knob to a higher setting.

* Varies by number and/or position, available only on certain models.

FRUIT and VEGETABLE bin*

The salad crispers fitted inside the fridge have been specially designed for the purpose of keeping fruit and vegetables fresh and crisp. Open the humidity regulator (position **B**) if you want to store food in a less humid environment like fruit, or close it (position **A**) to store food in a more humid environment like vegetable.

**Coolsaver***

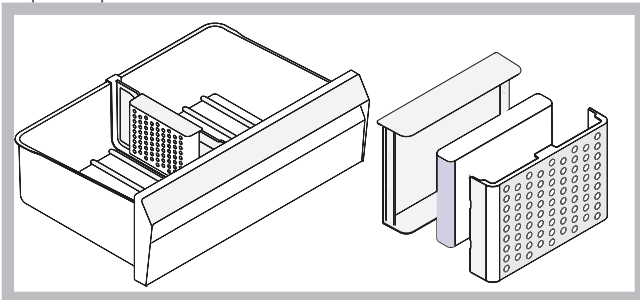
Certain fruits and vegetables generate ethylene as a natural part of their ripening cycle. Other fruits and vegetables are highly sensitive to the presence of ethylene, but may or may not produce the ethylene themselves. Coolsaver maintains longer shelf life with better food quality and fresher perishables by removing the ethylene gas that causes premature ripening and decay.

High relative humidity is good for most perishable foods but condensation is not. Coolsaver eliminates excess condensation that causes mould, mildew and bacteriological growth on food.

Coolsaver also avoids cross transfer of odors and provides an ideal environment in your refrigerator.

Coolsaver is a 100% natural inorganic mineral and keeps its full efficiency for several years. Considering the dust and humidity around the Coolsaver during the normal use of the refrigerator, it is recommended to recondition the Coolsaver periodically at each 6 months to satisfy the full effectivity. Reconditioning is a process of cleaning the Coolsaver bag with a vacuum cleaner and then putting it under sunlight for around 6 hours or inside an oven at 80 °C for 1 hour.

In order to keep the maximum effectivity and save the performance; dust, oil or other liquids must be avoided to be in contact with the Coolsaver. Such contact with these materials will cause reduction or totally loss of the effectivity of the Coolsaver minerals and may require replacement with a new one.

**Using the freezer to its full potential**

- Adjust the temperature using the display.
- Fresh food that needs to be frozen must not come into contact with food that has already been defrosted. Fresh food must be stored in the top FREEZER and STORAGE compartment where the temperature drops below -18°C and guarantees rapid freezing.
- To freeze fresh food in the best and safest way possible, activate the SUPER FREEZE function 24 hours before placing the food

in the freezer. After placing the food inside, activate the SUPER FREEZE function again; it will be deactivated automatically after 24 hours;

- Do not re-freeze food that is defrosting or that has already been defrosted. These foods must be cooked and eaten (within 24 hours).
- Do not place glass bottles which contain liquids, and which are corked or hermetically sealed in the freezer because they could break.
- The maximum quantity of food that may be frozen daily is indicated on the plate containing the technical properties located on the bottom left side of the refrigerator compartment (for example: 2Kg/24h.).

! To avoid blocking the air circulation inside the freezer compartment, it is advisable not to obstruct the ventilation holes with food or containers.

! Do not open the door during freezing.

! If there is a power cut or malfunction, do not open the freezer door. This will help maintain the temperature inside the freezer, ensuring that foods are conserved for at least 12-18 hours.

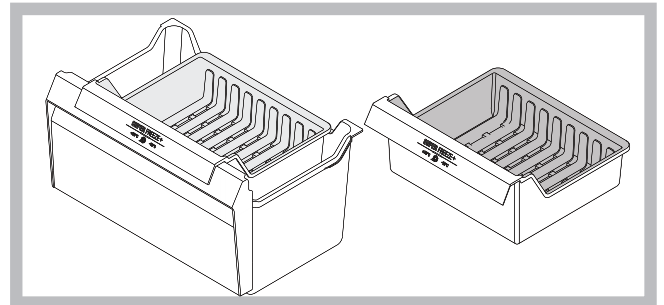
! To maximise space inside the freezer, all drawers [with the exception of the bottom drawer] can be removed from their positions and the food placed directly on the racks/glass shelves supplied [where present].

*** SUPER FREEZE +**

This compartment is used to lower the temperature of freshly cooked meals in a very rapid way, by allowing a freezing process until the core of the food. The SUPER FREEZE + drawer is the ideal solution to quickly freeze freshly cooked food as well as food that you want to store in the freezer. Thanks to the rapidity of the lowering phase, ice crystals will be smaller and they won't damage the food when it's defrosted.

Optimal usage of the SUPER FREEZE + drawer

In order to make an optimal usage of the SUPER FREEZE + drawer, you need to insert it on the lower shelf of the freezer compartment (as per figure 1). Moreover, in order to obtain a rapid lowering from +70°C to -18°C in about 4,5 hours (for 1 kg of food), position the food inside the drawer and switch on the SUPER FREEZE + feature on the Control Panel.

**Maintenance and care****Switching the appliance off**

During cleaning and maintenance it is necessary to disconnect the appliance from the electricity supply:

1. Press the ON/OFF button to switch off the appliance.
2. Pull the plug out of the socket.

! If this procedure is not followed, the alarm may sound. This alarm does not indicate a malfunction. To restore normal operation, hold the ON/OFF button down for more than two seconds. To disconnect the appliance, follow points 1 and 2 above.

* Varies by number and/or position, available only on certain models.

Cleaning the appliance

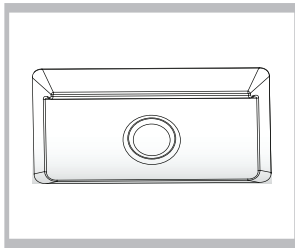
- The external and internal parts, as well as the rubber seals may be cleaned using a sponge that has been soaked in lukewarm water and bicarbonate of soda or neutral soap. Do not use solvents, abrasive products, bleach or ammonia.
- The removable accessories may be soaked in warm water and soap or dishwashing liquid. Rinse and dry them carefully.
- The back of the appliance may collect dust which can be removed by delicately using the hose of a vacuum cleaner set on medium power. The appliance must be switched off and the plug must be pulled out before cleaning the appliance.

Avoiding mould and unpleasant odours

- The appliance is manufactured with hygienic materials which are odour free. In order to maintain an odour free refrigerator and to prevent the formation of stains, food must always be covered or sealed properly.
- If you want to switch the appliance off for an extended period of time, clean the inside and leave the doors open.

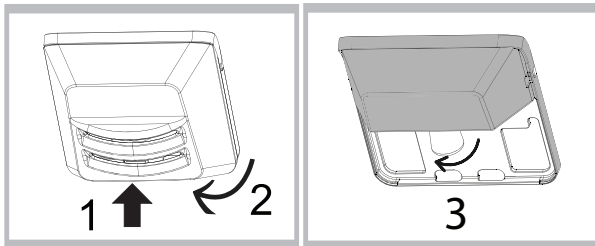
Replace LED * light

The LED lighting, thanks to the powerful diffused light, allows a clear view of each food. If you need to replace the LED light, contact the Technical Service.



Replacing the light bulb *

To replace the light bulb in the refrigerator compartment, pull out the plug from the electrical socket. Follow the instructions below. Access the light bulb by removing the cover as indicated in the diagram. Replace it with a similar light bulb within the power range indicated on the cover.



Precautions and tips

! The appliance was designed and manufactured in compliance with international safety standards. The following warnings are provided for safety reasons and must be read carefully.



This appliance complies with the following Community Directives:
 - 73/23/EEC of 19/02/73 (Low Voltage) and subsequent amendments;
 - 89/336/EEC of 03.05.89 (Electromagnetic Compatibility) and subsequent amendments;
 - 2002/96/CE.

General safety

- The appliance was designed for domestic use inside the home and is not intended for commercial or industrial use.
- The appliance must be used to store and freeze food products

by adults only and according to the instructions in this manual.

- The appliance must not be installed outdoors, even in covered areas. It is extremely dangerous to leave the appliance exposed to rain and storms.
- Do not touch the appliance with bare feet or with wet or moist hands and feet.
- Do not touch the internal cooling elements: this could cause skin abrasions or frost/freezer burns.
- When unplugging the appliance always pull the plug from the mains socket, do not pull on the cable.
- Before cleaning and maintenance, always switch off the appliance and disconnect it from the electrical supply. It is not sufficient to set the temperature adjustment knobs on ON/OFF (appliance off) to eliminate all electrical contact.
- In the case of a malfunction, under no circumstances should you attempt to repair the appliance yourself. Repairs carried out by inexperienced persons may cause injury or further malfunctioning of the appliance.
- Do not use any sharp or pointed utensils or electrical equipment - other than the type recommended by the manufacturer - inside the frozen food storage compartments.
- Do not put ice cubes taken directly from the freezer into your mouth.
- This appliance is not intended for use by persons (including children) with reduced physical, sensory or lack of experience and knowledge unless they have been given supervision or instruction concerning use of the appliance by a person responsible for their safety. Children should be supervised to ensure that they do not play with the appliance.
- Keep packaging material out of the reach of children! It can become a choking or suffocation hazard.

Disposal

- Observe local environmental standards when disposing packaging material for recycling purposes.
- The European Directive 2002/96/EC on Waste Electrical and Electronic Equipment (WEEE), requires that old household electrical appliances must not be disposed of in the normal unsorted municipal waste stream. Old appliances must be collected separately in order to optimise the recovery and recycling of the materials they contain and reduce the impact on human health and the environment. The crossed out "wheeled bin" symbol on the product reminds you of your obligation, that when you dispose of the appliance it must be separately collected. Consumers should contact their local authority or retailer for information concerning the correct disposal of their old appliance.

Respecting and conserving the environment

- Install the appliance in a fresh and well-ventilated room. Ensure that it is protected from direct sunlight and do not place it near heat sources.
- Try to avoid keeping the door open for long periods or opening the door too frequently in order to conserve energy.
- Do not fill the appliance with too much food: cold air must circulate freely for food to be preserved properly. If circulation is impeded, the compressor will work continuously.
- Do not place hot food directly into the refrigerator. The internal temperature will increase and force the compressor to work harder and will consume more energy.
- Defrost the appliance if ice forms (see Maintenance). A thick layer of ice makes cold transference to food products more difficult and results in increased energy consumption.

Troubleshooting

If the appliance does not work, before calling for Assistance (see Assistance), check for a solution from the following list.

The display is completely switched off.

- The plug has not been inserted into the electrical socket, or not far enough to make contact, or there is no power in the house.

The motor does not start.

- The appliance comes with a motor protection control (see Start-up and use).

The display is on but it is dim.

- Pull out and reverse the plug before putting it back in the socket.

The alarm sounds and DOOR OPEN ALARM flashes on the display (flash the set temperature in the refrigerator).

- The refrigerator door has been open for more than two minutes. The sound alert stops when the door is closed or when the appliance is switched off and on again.

The alarm sounds and TEMPERATURE ALARM flashes on the display ("A1" is displayed instead of the FREEZER temperature).

- The temperature inside the freezer is too high. The freezer will maintain a temperature of around 0°C so that the food will not refreeze, allowing you to eat it within 24 hours or to refreeze it after it has been cooked.

To switch off the buzzer, open and close the appliance door or press the + and – freezer temperature adjustment buttons once. Press these buttons a second time to display the set value on the freezer display, switch off the TEMPERATURE ALARM LED and restore normal operation.

The alarm sounds and temperature alarm flashes on the display ("A2" is displayed instead of the FREEZER temperature).

- The temperature of the freezer is dangerously high: the food inside must not be eaten. The freezer will maintain a temperature of approximately -18°C.

To switch off the buzzer, open and close the appliance door or press the + and – freezer temperature adjustment buttons once. Press these buttons a second time to display the set value on the freezer display, switch off the TEMPERATURE ALARM LED and restore normal operation.

The refrigerator and the freezer do not cool well.

- The doors do not close properly or the seals are damaged.
- The doors are opened too frequently.
- The temperature that has been set is too high (see Start-up and use).
- The refrigerator or the freezer have been over-filled.

The food inside the refrigerator is beginning to freeze.

- The temperature that has been set is too low (see Start-up and use).

The motor runs continuously.

- The SUPER FREEZE button has been pressed (rapid freezing): the yellow SUPER FREEZE light is on or flashing (see Description).
- The door is not closed properly or is continuously opened.
- The outside ambient temperature is very high.

The appliance makes a lot of noise.

- The appliance has not been installed on a level surface (see Installation).
- The appliance has been installed between cabinets that vibrate and make noise.
- The internal refrigerant makes a slight noise even when the compressor is off. This is not a defect, it is normal.

Early ending of functions

- Electrical disturbance on the network or brief interruptions of the power supply.

