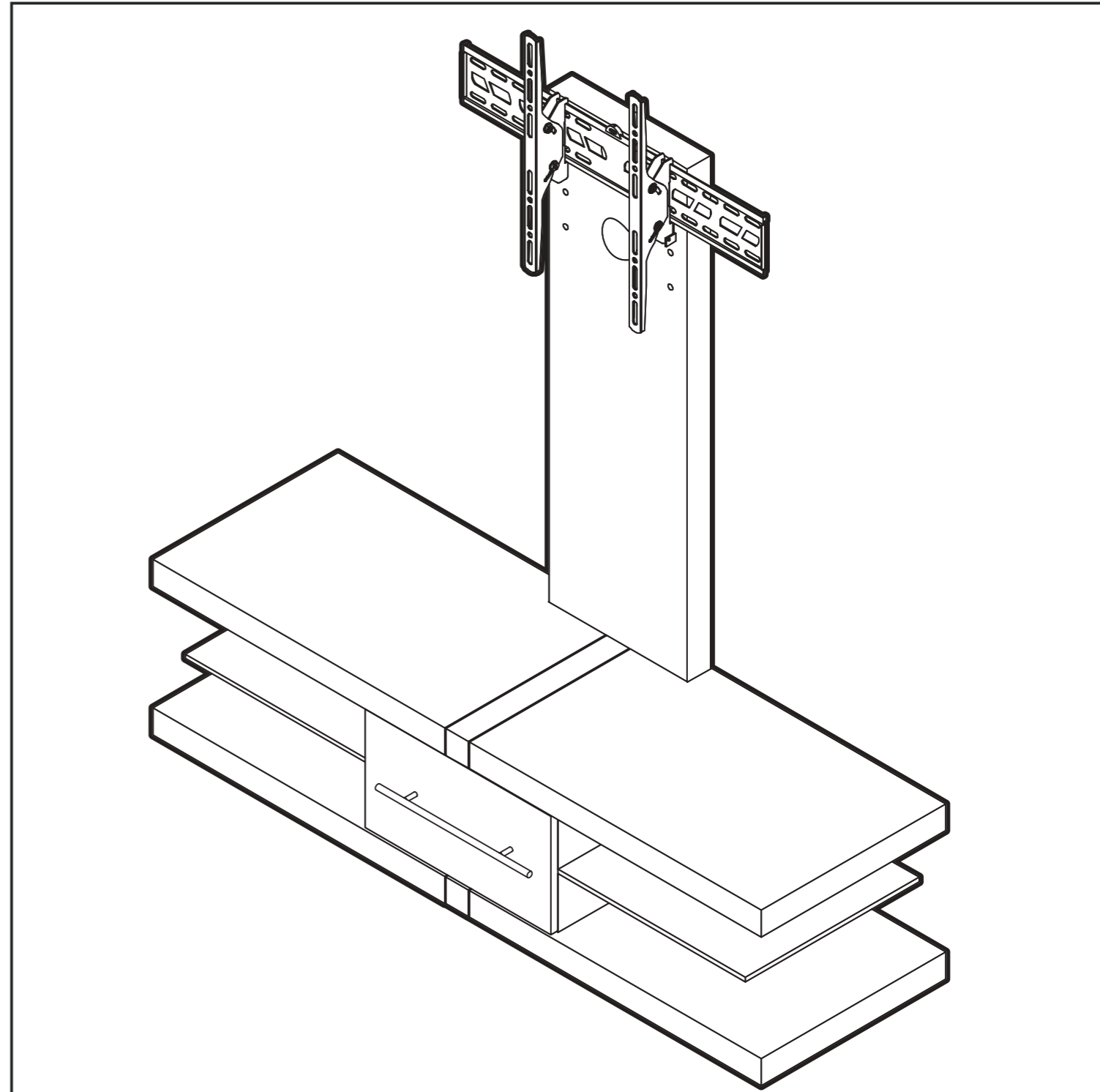
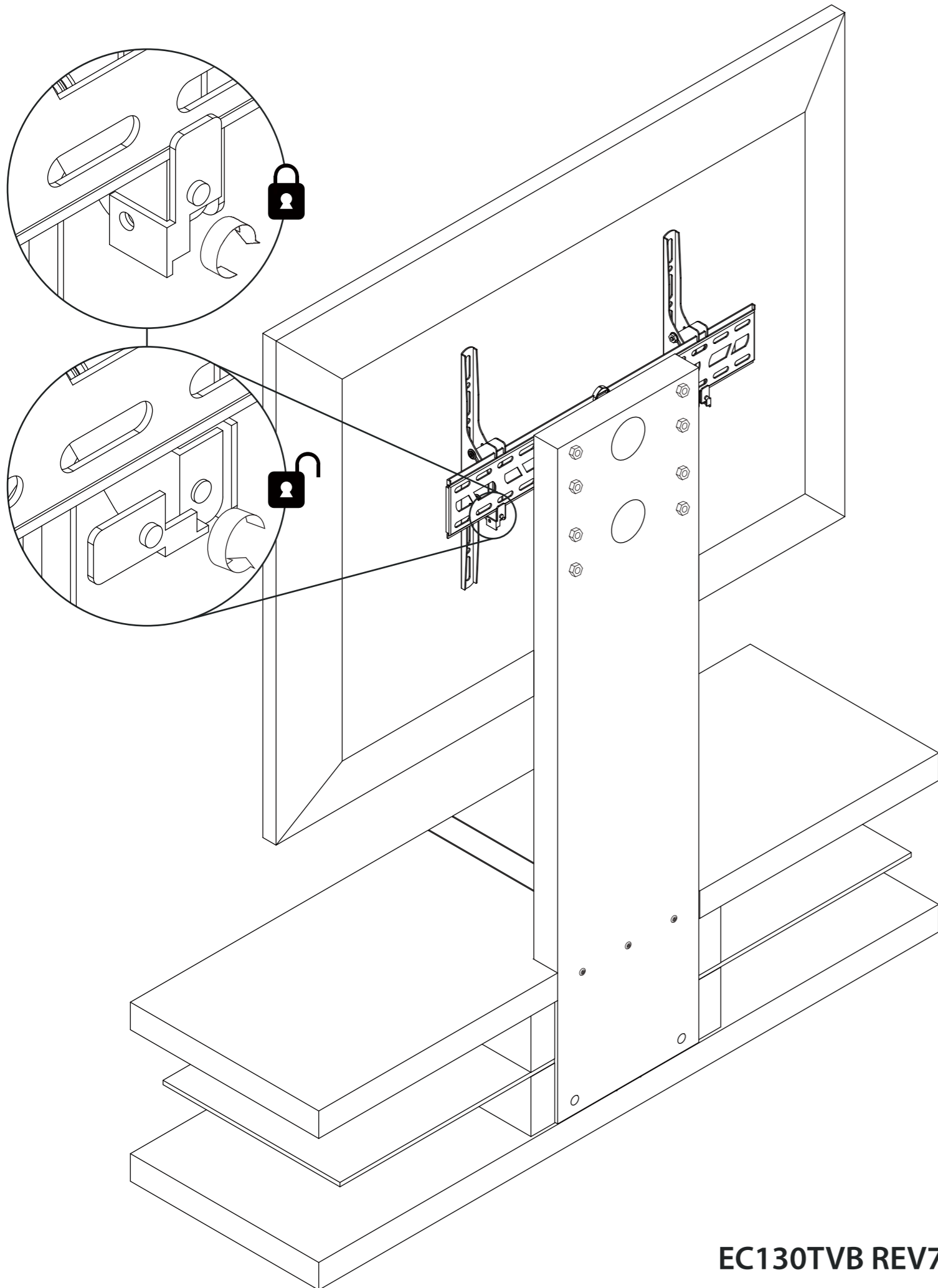


Product Name: ECHO TV
 Product Ref: EC130TVB
 Art number: 405709





 = 80mins
 = 55mins
 



EC130TVB REV7

TECHLINK , A Division Of Tapehand Ltd.
 Units 7 and 8 Bat and Ball Enterprise Centre
 Bat and Ball Road
 Sevenoaks
 Kent
 United Kingdom
 TN14 5LJ

 (UK)Free Phone 0800 634 2699
 (US)Toll Free (844) 499-1159
 salesdesk@techlink.uk.com
 Web www.techlink.uk.com
 www.recharge.uk.com

ECHO TV EC130TVB

Take care not to overload the stand.

Build the stand on a soft surface to prevent risk of scratching.

Take extra care not to over tighten any screws as this may cause damage!

Main Parts

[1] [2] x2 [3] x2 [4] [5] x2 [6] x8 [7] [8] [9] [10] [11] [12] [13] x2 POLYSTYRENE [14] [15] x2 [16]

Components

[A] x6 [B] x6 [C] x14 [D] x4 [E] x4 [F] x1 [G] x16 [H] x4 [I] x15 [J] x2 [K] x4 [L] x7 [M] x1 [N] x1

Screen fitting kit

[M-A] x 4 (M5 X 14) [M-B] x 4 (M6 X 14) [M-C] x 4 (M8 X 20) [M-D] x 4 (M6 X 30) [M-E] x 4 (M8 X 30) [M-F] x 4 [M-G] x 8 [M-H] x 4

16a

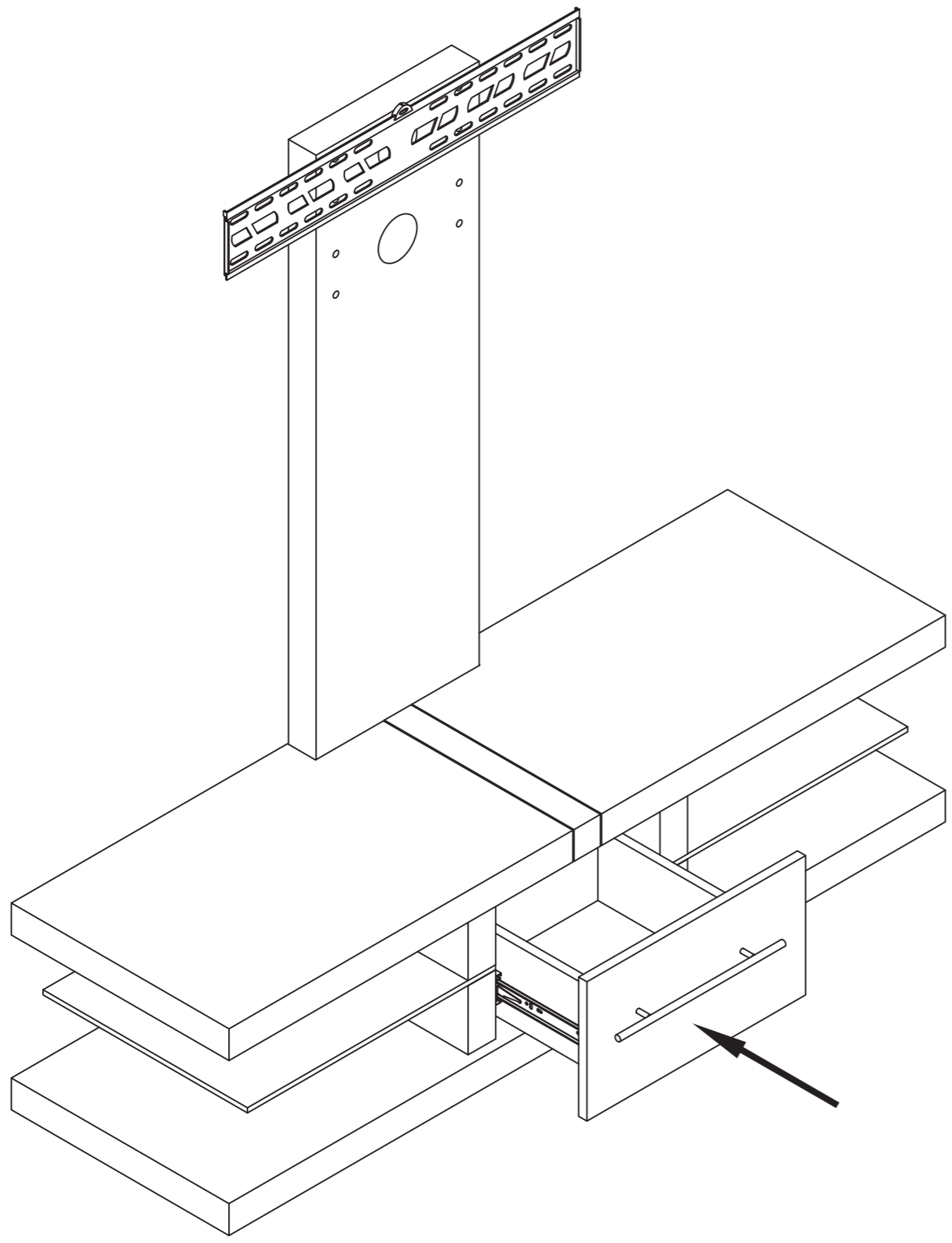
M-A x4
M-B x4
M-C x4
M-F x4
N

M-A or M-B or M-C

16b

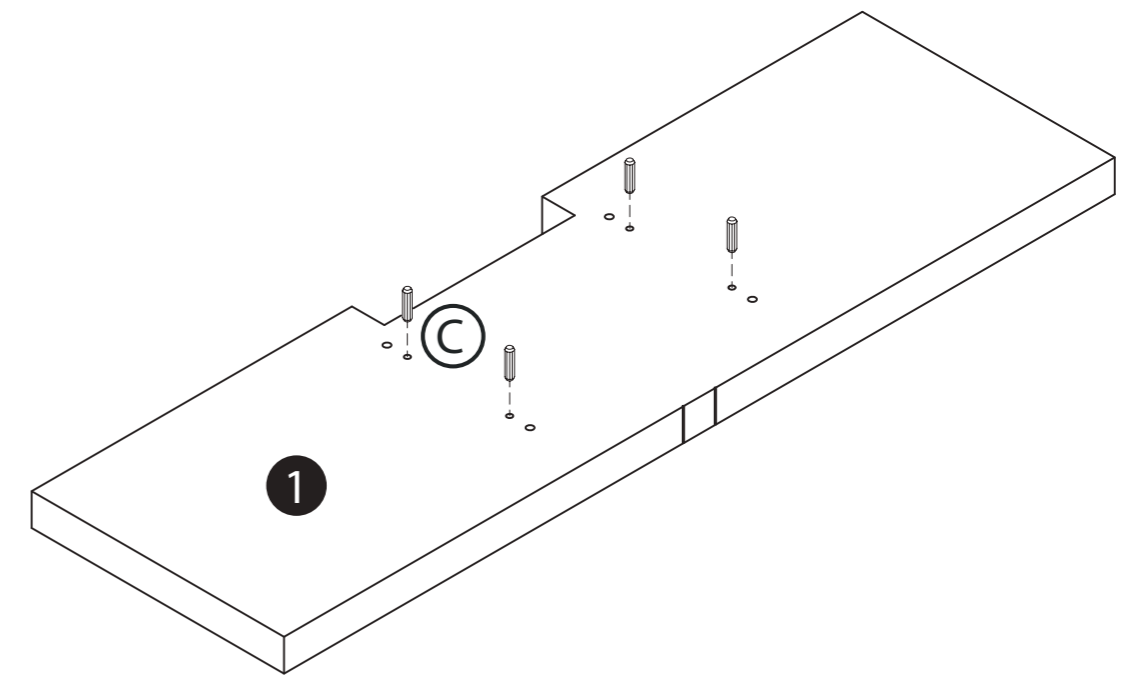
M-C x4
M-D x4
M-E x4
M-F x4
M-G x4/8
M-H x4
N

For new Samsung TVs use the longer S-A screw together with the Samsung wall mount adapter provided with the TV



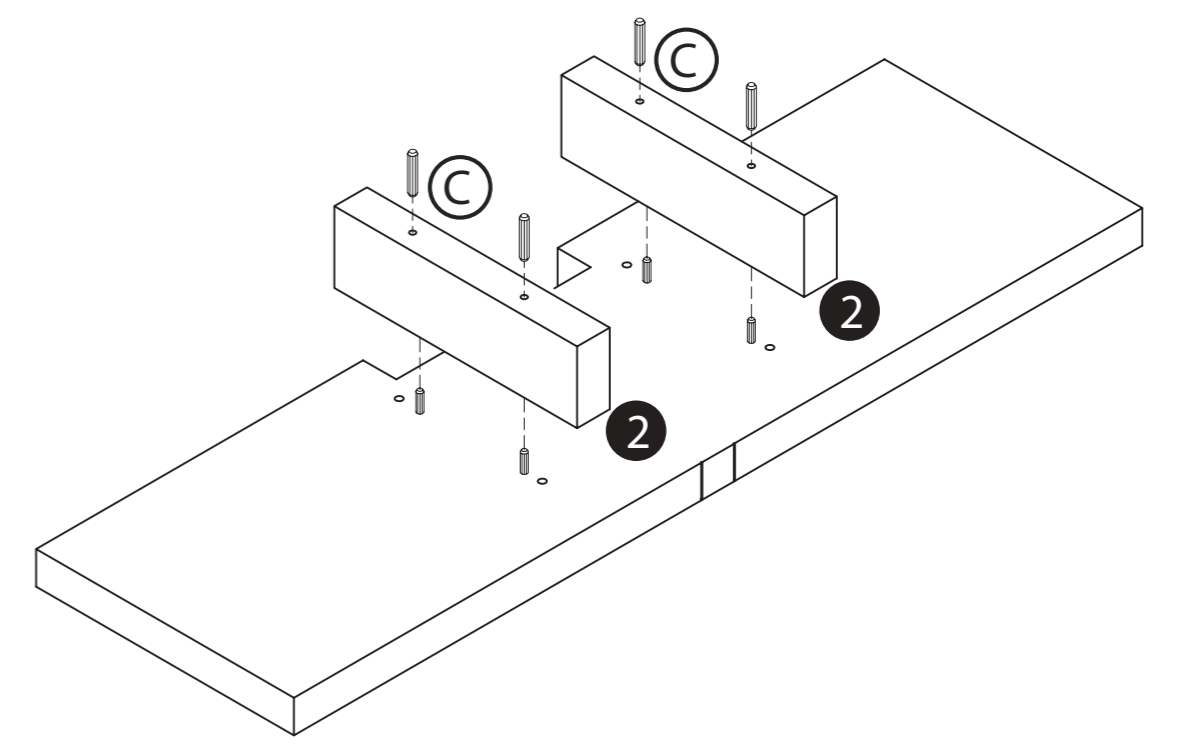
1

ⓐ x4

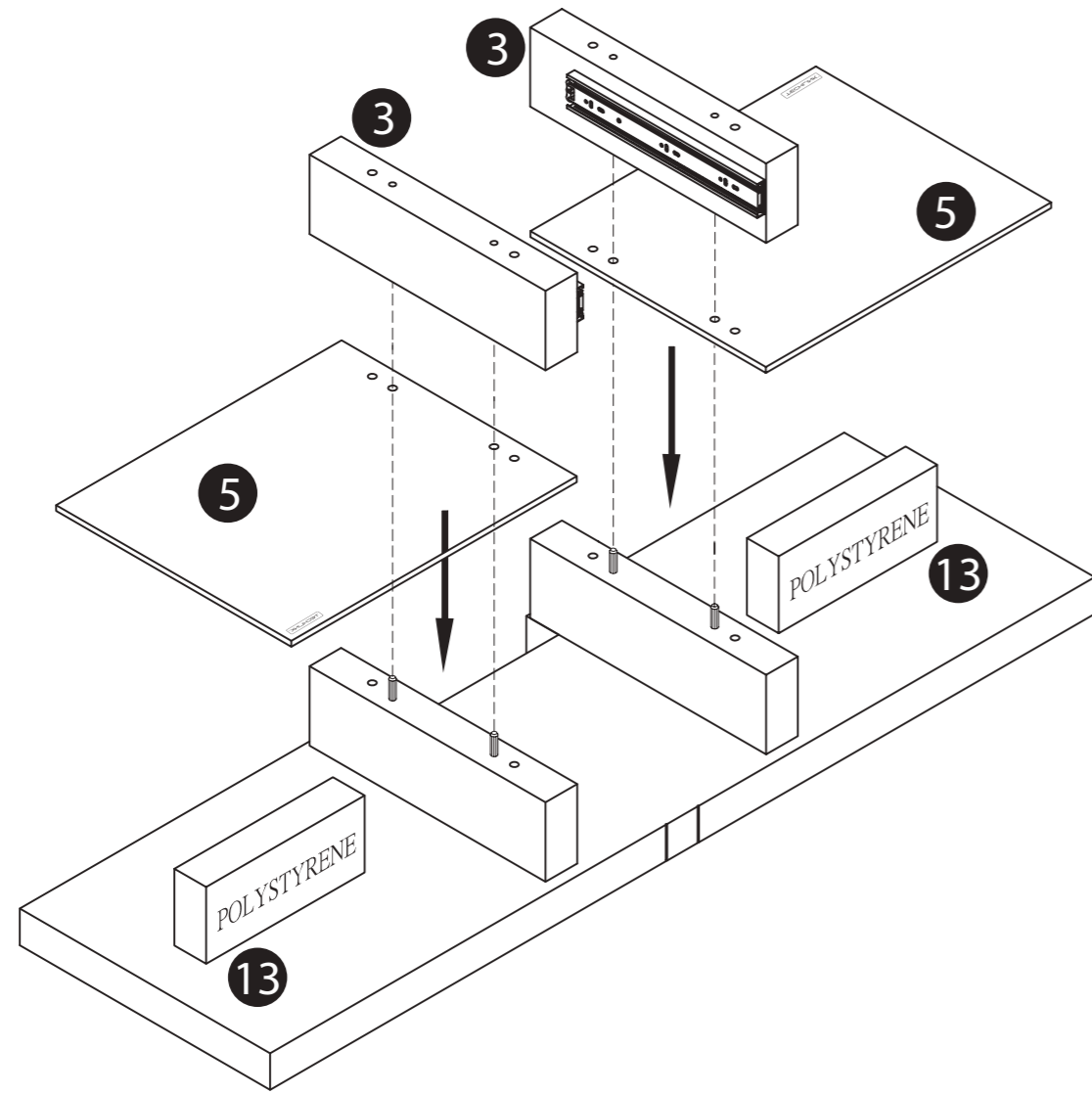


2

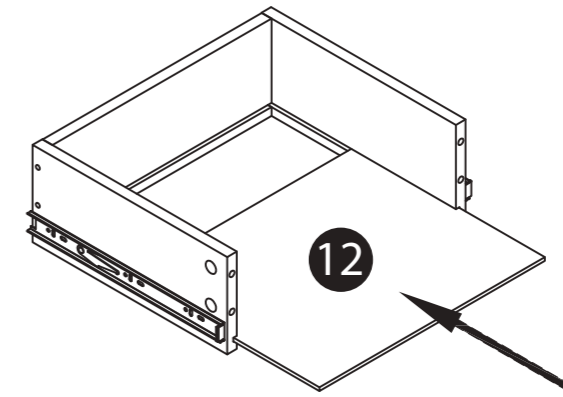
ⓐ x4



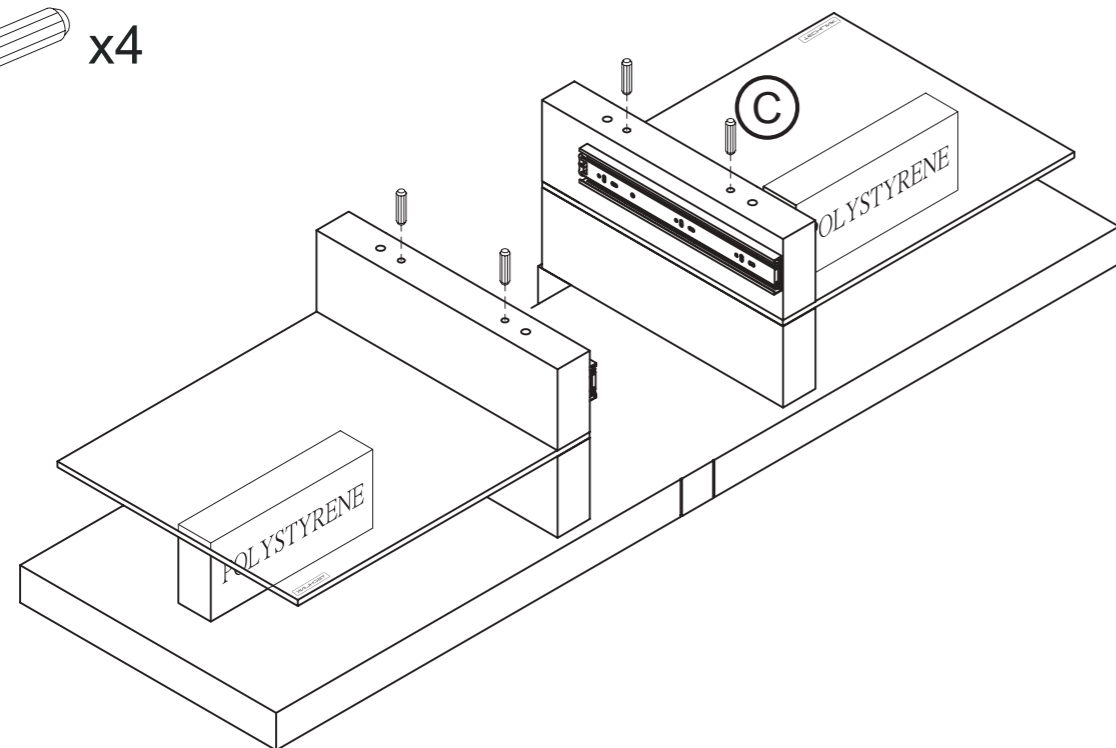
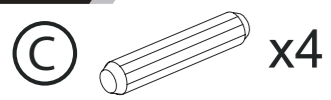
3




13

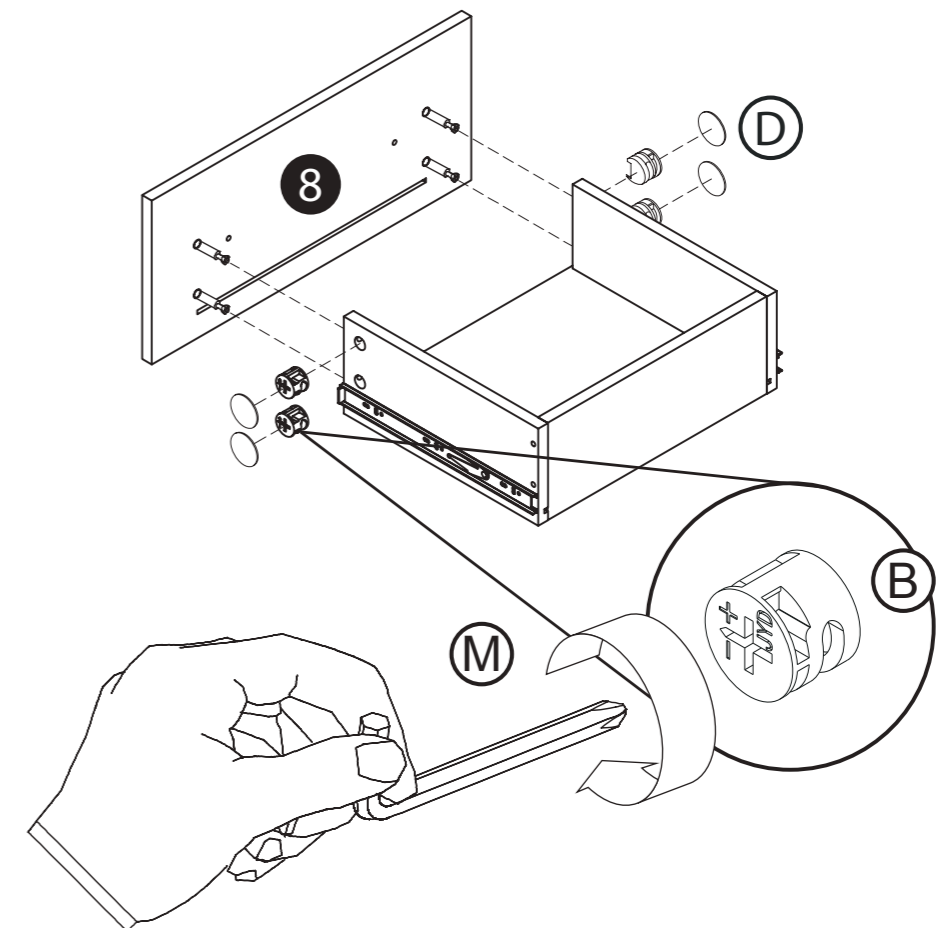


4

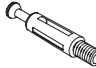



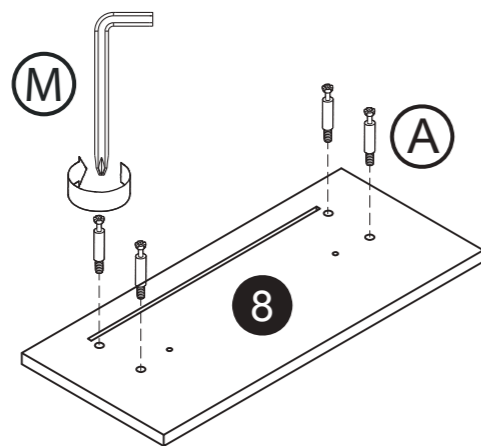
14

- (B)  x4
- (D)  x4
- (M) 





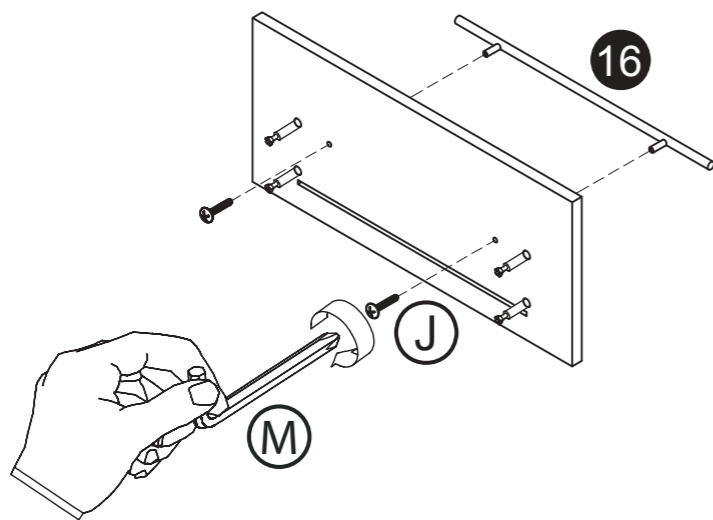
10

- (A)  x4
- (M) 





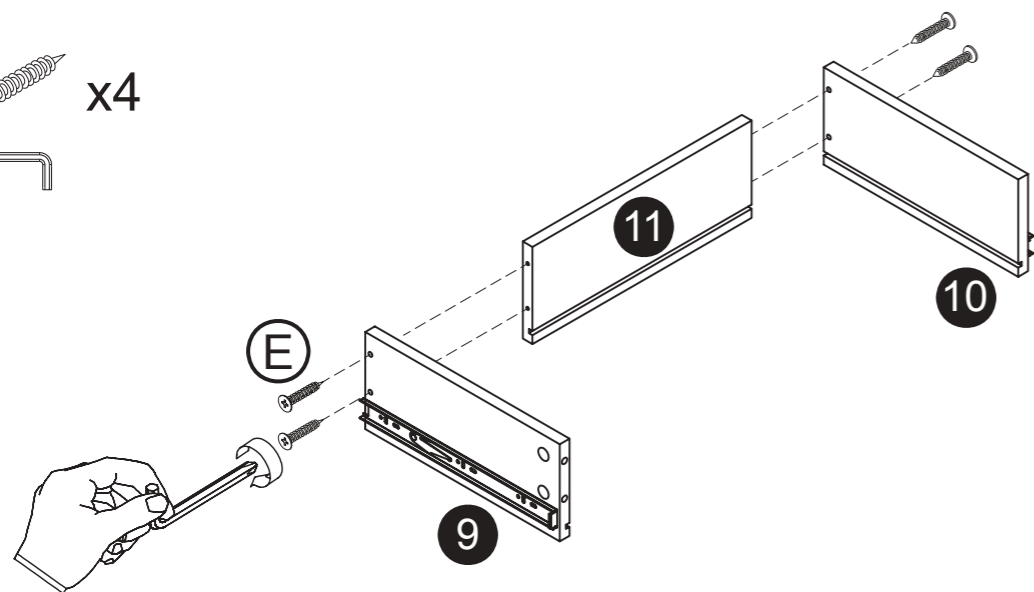
11

- (J)  x2
- (M) 

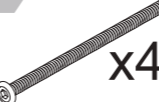




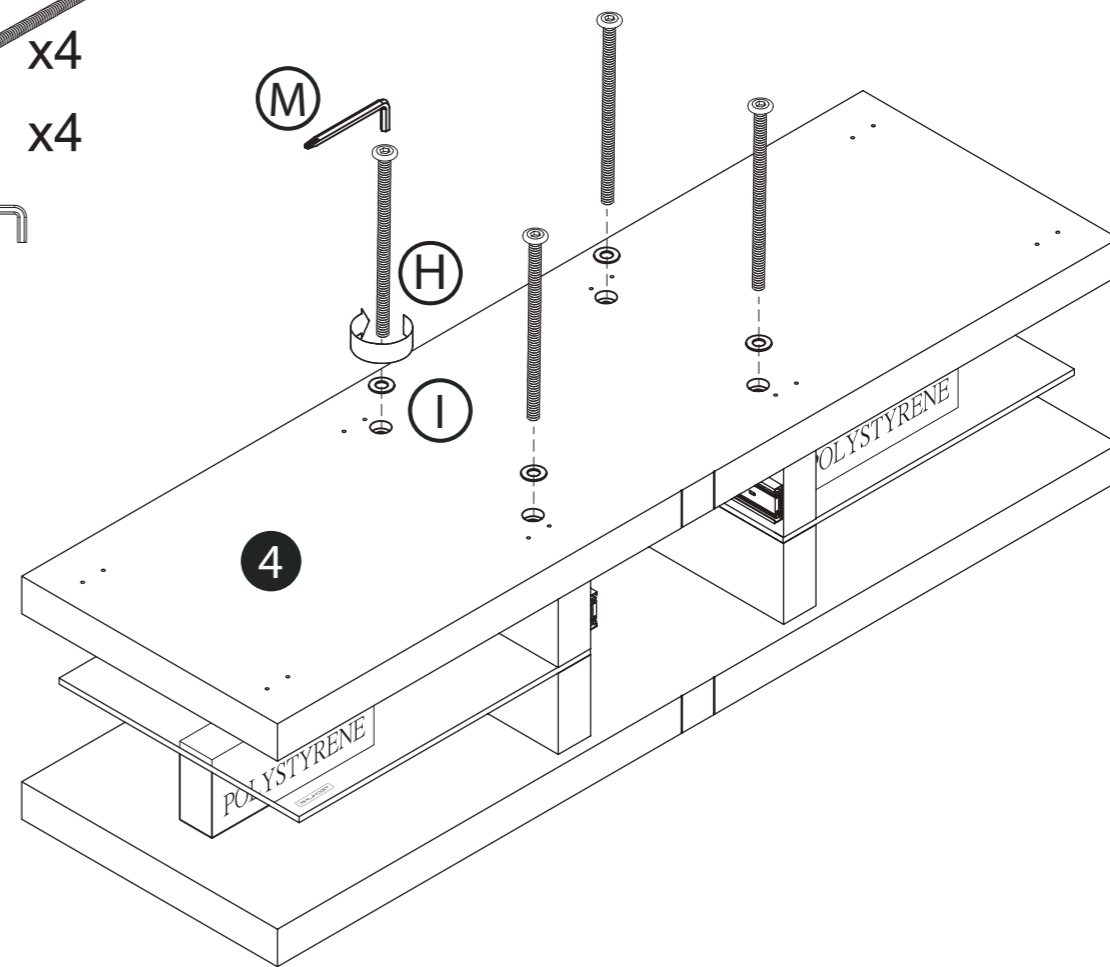
12

- (E)  x4
- (M) 





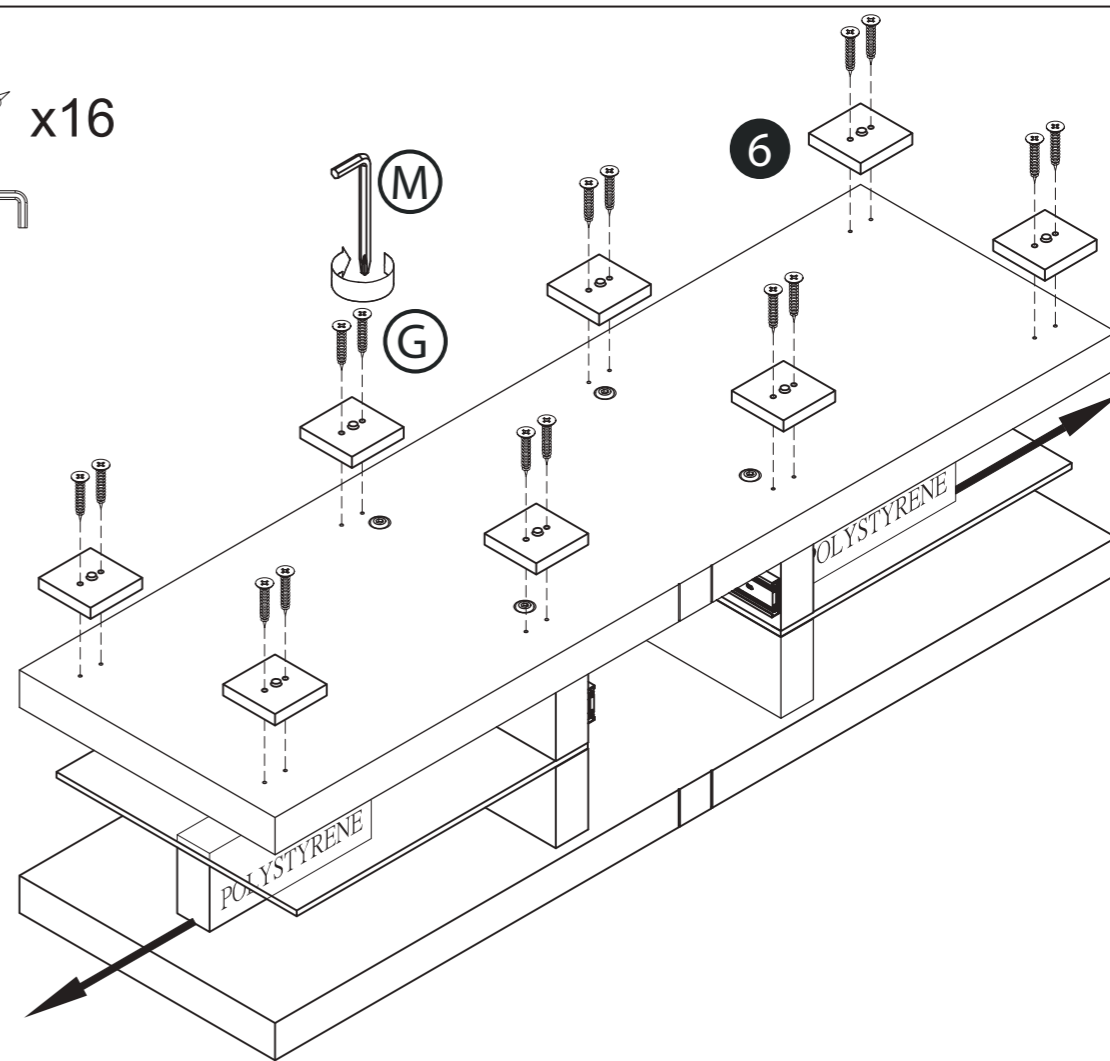
5


- (H)  x4
- (I)  x4
- (M) 

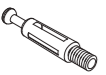




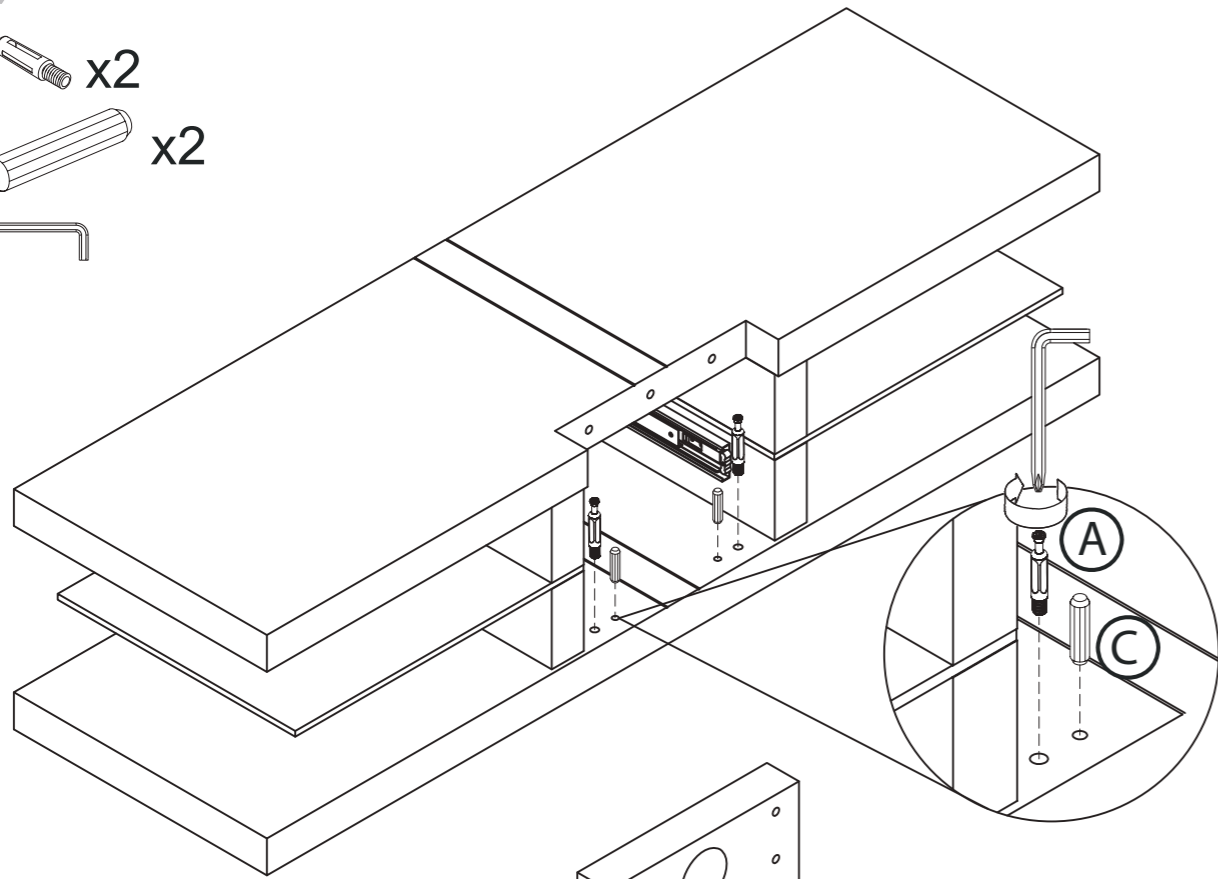
6

- (G)  x16
- (M) 

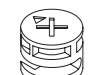



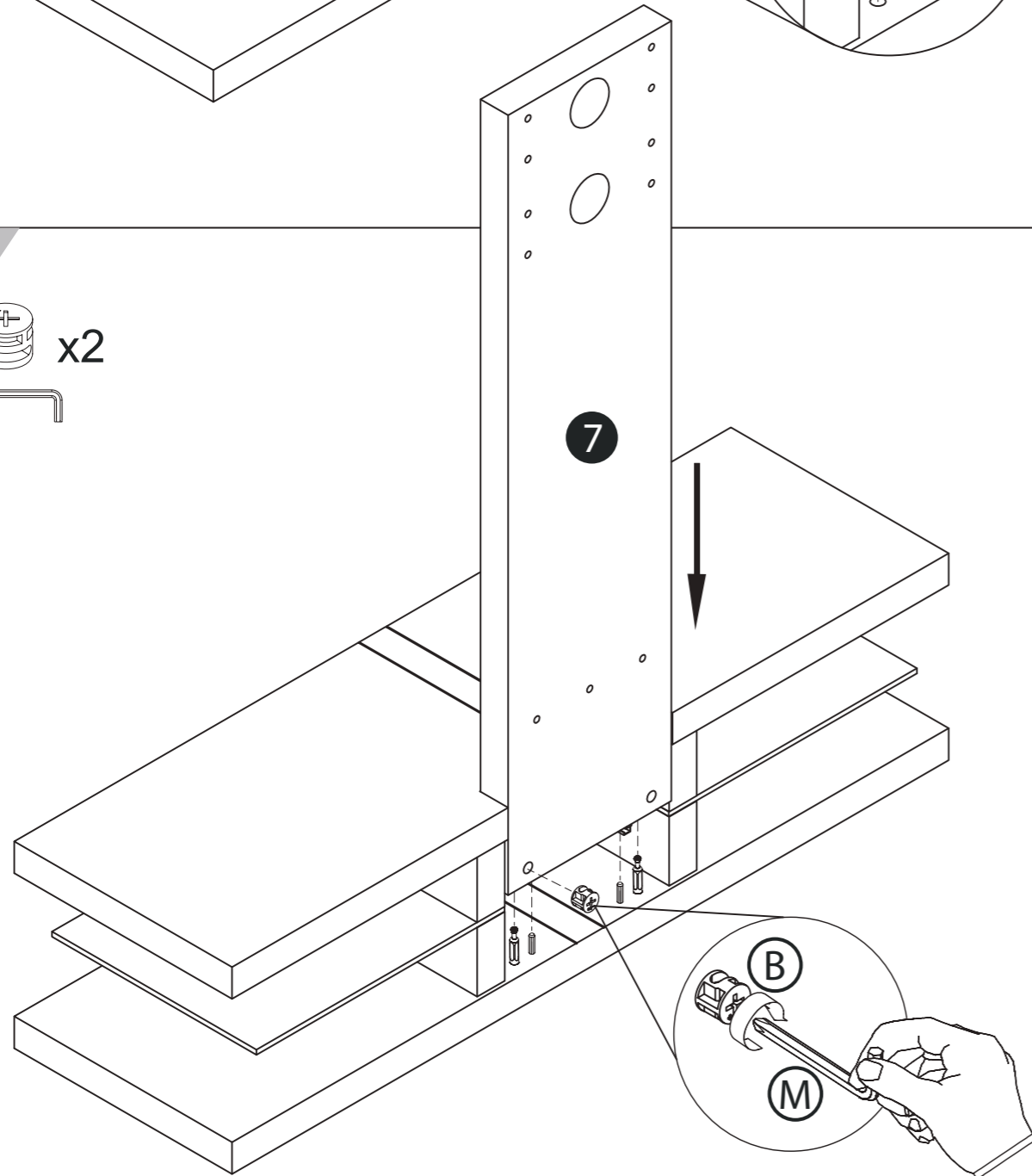
7  Caution when turning the stand over best done with two people

- (A)  x2
- (C)  x2
- (M) 







8

- (B)  x2
- (M) 



9

- (K)  x4
- (L)  x7
- (I)  x11
- (M) 
- (F) 