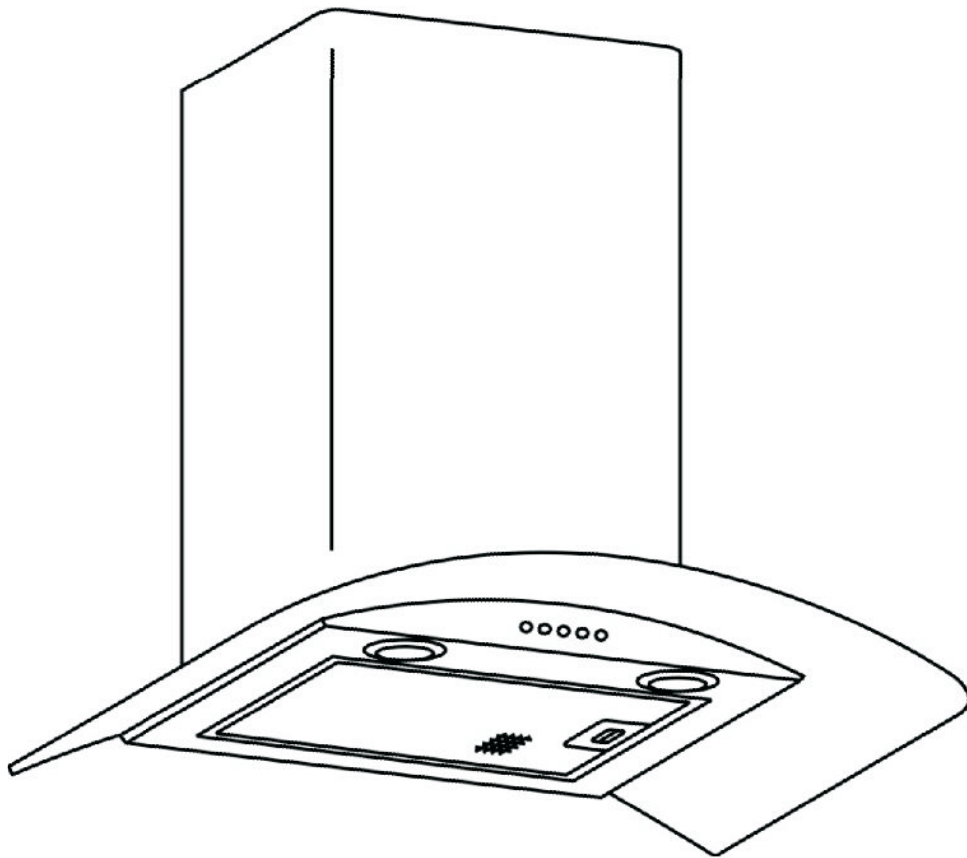


electrico

INSTALLATION AND USER MANUAL



COOKER HOOD

eiQCURV70SC

eiQCURV70BL

Thank you for choosing your electriQ cooker hood.

This instruction manual is designed to provide you with all required instructions related to the installation, use and maintenance of the appliance. In order to operate the unit correctly and safely, please read this instruction manual carefully before installation and usage.

CONTENTS

Safety Precautions	3
Options for Ventilation	5
Unpacking your Appliance	5
Product Overview	6
Installation	7
Carbon Filters (optional)	9
Operation	10
Maintenance	10
Light bulb replacement	11
Troubleshooting	12
Manufacturer Support	12
Technical Information	13

SAFETY PRECAUTIONS

Whilst this product is compliant with all safety requirements, incorrect or inappropriate use can lead to both personal injury and potential damage to property. Please read the contents of this instruction booklet thoroughly before fitting or using this appliance.

- The cooker hood must be installed in accordance with the installation instructions and all measurements followed.
- All installation work must be carried out by a competent person or qualified electrician.
- The unit must be connected to an earthed power supply.
- If venting externally, make sure the ducting has no bends sharper than 90 degrees as this will reduce the efficiency of the cooker hood.
- The cooker hood is for domestic use only and is not designed for commercial use. It should only be used for the purpose it was intended – to extract vapours and cooking odours.
- Do not flambé or use an open flame under the cooker hood.
- Do not try to use the cooker hood without the grease filters or if the filters are excessively greasy! They should be cleaned regularly (see “Maintenance”) or replaced as necessary.
- The extraction fan must be level to avoid grease collection at one end, as this could cause a potential fire risk.
- Do not leave frying pans unattended during use because overheated fat or oils might catch fire.
- If the cooker hood is damaged, do not attempt to use it.
- If the supply cord is damaged, it must be replaced by the manufacturer, its service agent or a similarly qualified person in order to avoid a hazard.
- This appliance can be used by children aged from 8 years and above and persons with reduced physical, sensory or mental capabilities or lack of experience and knowledge if they have been given supervision or instruction concerning use of the appliance in a safe way and understand the hazards involved.
- Children shall not play with the appliance. Cleaning and user maintenance shall not be made by children without supervision.
- Children should be supervised to ensure that they do not play with the appliance. It is not a toy.
- The plug must be accessible after installation for isolation in case of an emergency – or an appropriate fused switch if the unit is hard-wired to the mains via a spur.
- The minimum distance between the surface of the hob and the lowest part of the hood should be at least 65cm. A distance of between 65cm and 75cm gives peak efficiency.

- The air must not be discharged into a flue that is used for exhausting fumes from appliances burning gas or other fuels.
- When the hood is vented externally and used with appliances which burn fuel (e.g. gas, oil, wood) the area must be sufficiently ventilated to ensure safe operation. Fresh air must be allowed to freely enter the room to prevent a partial vacuum.
- A partial vacuum can starve the heating appliance of oxygen, impairing combustion. It can also prevent toxic fumes from leaving the room, or can cause fumes to be sucked into the room from outside.
- Safe operation is only possible when the partial vacuum within the working area does not exceed 4 Pa (0.04 mbar). This can be achieved by ensuring air is able to enter the room from outside through a suitable sized opening which cannot be sealed during operation. A number of alternative solutions are available to ensure this. If in any doubt, professional advice should be sought.
- Regulations concerning the discharge of air have to be fulfilled.
- There is a potential fire risk if cleaning is not carried out in accordance with the instructions.
- Clean your appliance periodically by following the method given in the chapter MAINTENANCE
- If used in recirculation mode, the charcoal filters trap odours and must be replaced at least once a year depending on how frequently the cooker hood has been used.
- For safety reason, please use only the same size of fixing or mounting screw, which are recommended in this instruction manual.
- Warning: Failure to install the screws or fixing device in accordance with these instructions may result in electrical hazards

CAUTION: Accessible parts of the hood can become very hot during use with cooking appliances, whether in use or not, due to heat rising from the hob. Sufficient time should be allowed for the unit to cool before touching either the housing or the grease filters

OPTIONS FOR VENTILATION

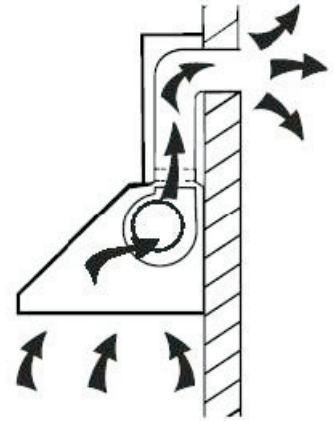
This hood can be set up for either external venting or recirculation of the air. The type of setup should be decided before commencing installation.

EXTERNAL VENTING

If you have an outlet to the outside, your cooker hood can be connected as shown in the diagram using the flexible exhaust pipe (supplied). Alternatively any suitable extraction duct (enamel, aluminium, flexible pipe or inflammable material with an interior diameter of 150mm) can be used.

An adaptor is also supplied to enable you to connect your hood to pre existing 120mm diameter ducting.

If this is the chosen installation method consideration to the route of the vent pipe should be made prior to installation.

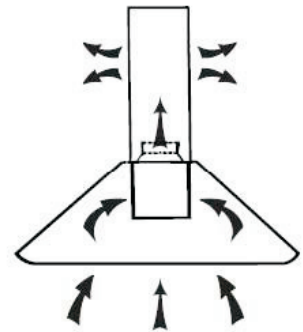


RECIRCULATION

This cooker hood also supports the recirculation of air once it has passed through the filters. The filtered air is then expelled through the vent holes in the side of the chimney.

When setting the unit up in this configuration, carbon filters should also be used to remove odours from the air. Details of sourcing and fitting the filters can be found in the Carbon filter section.

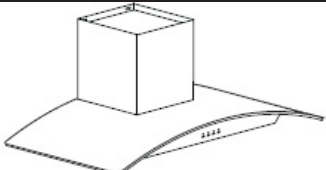







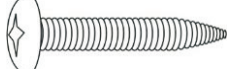


When setting up for recirculation the installation instructions should be followed, but the vent pipe should not be attached, and instead the air can be routed back into the room through the top of the unit.



UNPACKING YOUR APPLIANCE

- Please take great care when unpacking; a sharp blade should not be used to open the box, as it may go deep enough inside to damage components. Components damaged or marked by careless unpacking are not covered under the guarantee.
- Carefully unpack the contents and check against the next section (Product overview – parts supplied)
- Packaging materials should be recycled in accordance with local regulations

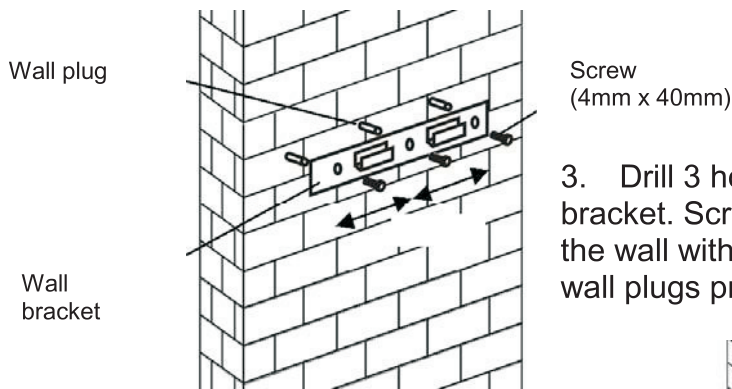
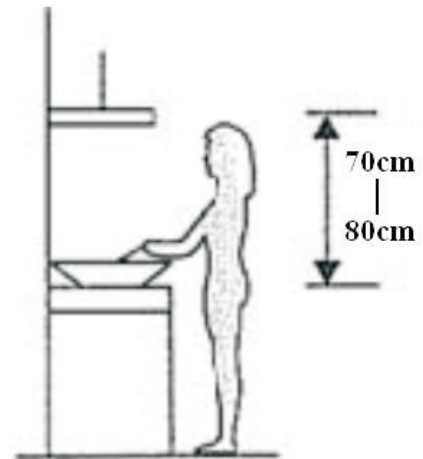
PRODUCT OVERVIEW - PARTS SUPPLIED

Description	Illustration	Qty.
Cooker hood		1
Chimney		2
Adaptor		1
cable tie		1
Wall Bracket		1
Plate I		1
Plate II		1
Wall plug		9
Screw (4mm x 30mm)		9
Screw (3mm x 10mm)		2
Air Flaps		2

INSTALLATION

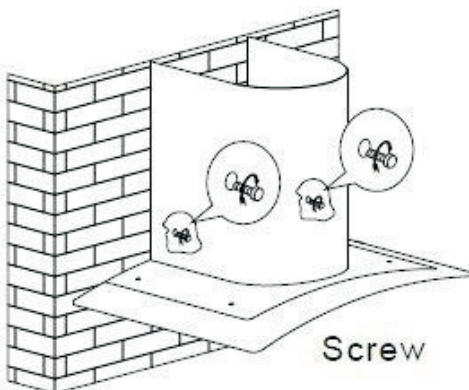
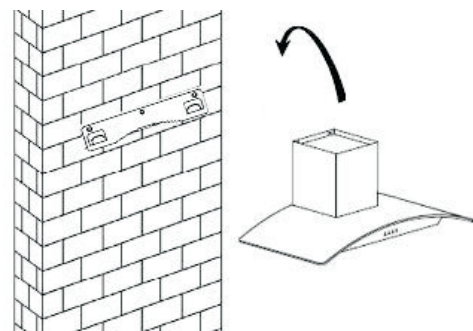
1. Before installation, ensure you have not connected the appliance to the mains supply.

2. The cooker hood should be placed at a distance of 70~80cm above the cooking plane for best effect.



3. Drill 3 holes to accommodate the wall bracket. Screw and tighten the wall bracket onto the wall with the screws (4mm x 40 mm) and wall plugs provided.

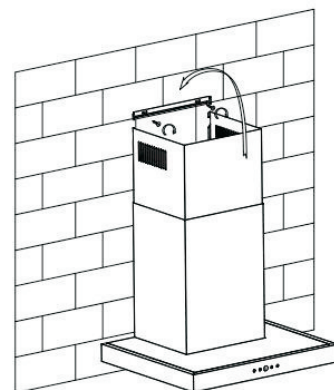
4. Hang the appliance onto the wall bracket



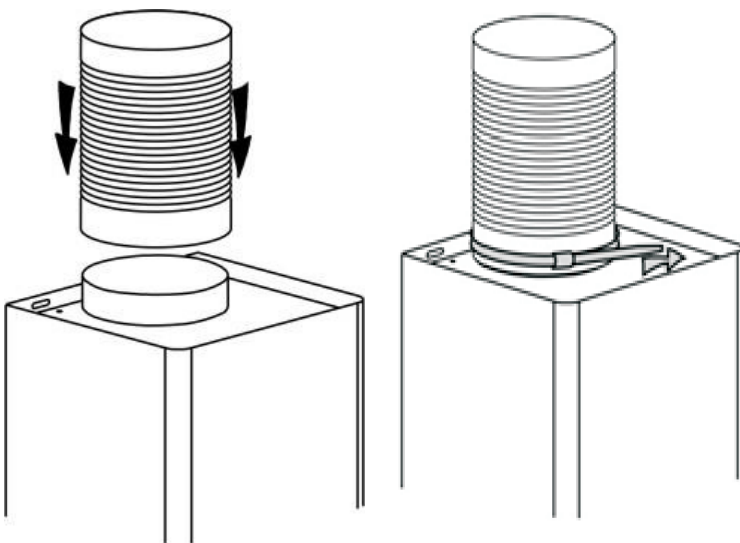
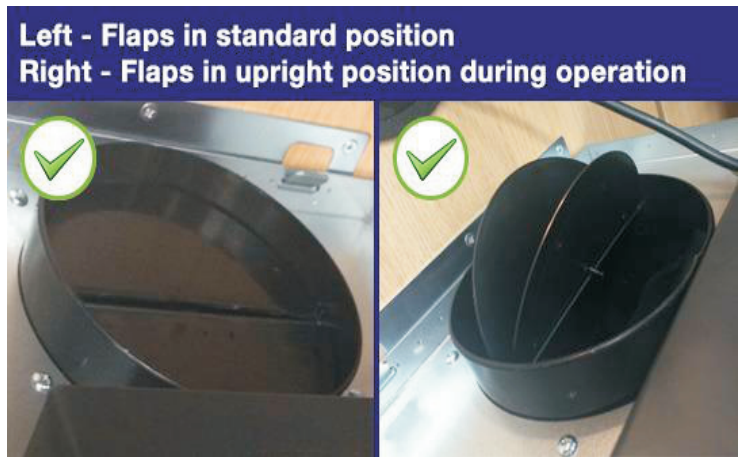
5. Fix the appliance to the wall using two screws (4mm x 30mm) through the holes found when removing the aluminium grease filter.

6. Plates I and II are used to fix the chimney to the wall. Place the chimney on the top of the hood, and mark the position of Plate II, then pull the inner chimney up and mark the position of Plate I. The holes can then be drilled, and wall plugs inserted.

7. Fix Plates I and II to the wall using the supplied screws (4mm x 30mm)

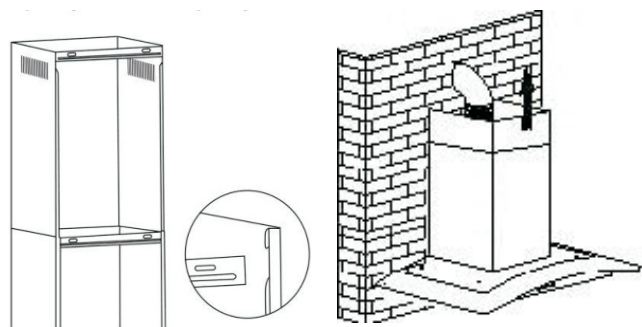


5. The 2 x air flaps should be installed at this stage, as access is easier before the unit is wall mounted. On the top of the Hood Unit itself, where the air outlet vent is located, the 2 x flaps should be carefully installed, bending very slightly so the lugs at each end locate into the holes, enabling flaps to pivot upwards when the unit is in operation, opening up the outlet fully for the air to pass through. Please note: the small spindles/lugs at each end of each flap locate into the **holes** on the housing, not the grooves above them:



7. If the unit is to be externally vented, attach the exhaust pipe onto the one-way-valve as shown below and fix the pipe on the valve by cable tie. The adaptor can be used at this stage, if you already have existing smaller diameter venting in place to connect.

8. Put the chimney back onto the cooker hood. Hook the outer chimney onto plate II and lift up the chimney to the desired height and hook it onto plate I.



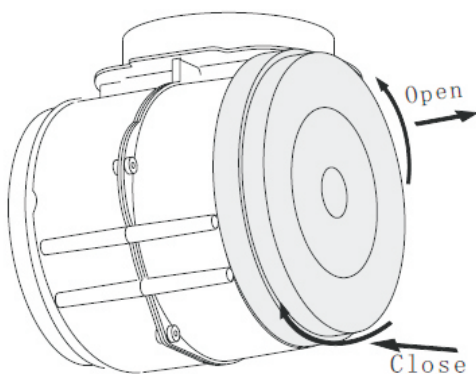
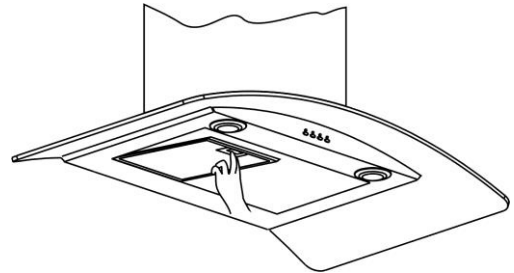
9. Before usage, read all the instructions and make sure that the voltage (V) and the frequency (Hz) indicated on the identification plate (found inside the cooker hood) and all the data inside the appliance are exactly the same as the voltage and frequency in your home. Then plug the power lead into the power socket (or if connecting directly to the main via a switched spur, ensure the work is carried out by a competent, qualified person) and the cooker hood is then ready for use.

CARBON FILTER (OPTIONAL)

Activated carbon filters should be used to trap odours (optional – available from the same stockist you purchased the hood from) and must be used if the hood is not vented to the outside.

Reference: **eIQTMCARBONCURV Carbon Filter Pack**

In order to install the activated carbon filters, the aluminium filter should be removed first. Press the lock and pull it downward as below:



Put the activated carbon filter onto the end of the motor unit and turn it in anti-clockwise direction. Repeat the same on the other side (see diagram)

NOTE:

- Make sure the filter is securely locked. Otherwise, it could loosen and cause damage to the unit.
- When the activated carbon filters are attached, the suction power will be lowered.
- The charcoal filter cannot be washed or recycled. It should be changed at three or six months according to the amount of use the hood receives. Replacements are available from the stockist you purchased the hood from.

eIQTMCARBONCURV Carbon Filter Pack

OPERATION

Operation of your hood is extremely simple. There are essentially 3 controls: Power On/Off; Fan Speeds (3 separate buttons) and Illumination.

- ① Stop Button
- ② Low Speed button
- ③ Medium Speed button
- ④ High Speed button
- 💡 Light ON /OFF button

MAINTENANCE

Before cleaning, switch the unit off and pull out the plug, or switch off at the relevant mains switch if the unit has been hard-wired in. Make sure the unit has no power being fed to it.

REGULAR CLEANING

Use a soft cloth moistened with hand-warm mildly soapy water or household cleaning detergent. Never use metal pads, chemicals, abrasive material or a stiff brush to clean the unit.

Note! Do not use a steam-cleaner to clean the hood; electrical components could be damaged or short-circuit as a result.

MONTHLY CLEANING FOR METALLIC ANTI-GREASE FILTER

ESSENTIAL NOTE: Clean the filter every month; an excessive build-up of grease can become a fire hazard. The filter collects grease, smoke and dust, so the filter directly affects the efficiency of the cooker hood. If it's not cleaned, the grease residue (potentially flammable) will saturate on the filter.

Remove the filter as shown in the Installation section. Clean it with a soft nylon brush in a mild solution of warm water and a small amount of washing up liquid. Washing up liquid alone should not be used. After cleaning, allow the filter to drain and then dry thoroughly.

The grease filter may also be dishwasher cleaned; using a 60 °C program, with the filter upright (short sides upright) in the lower basket. Please be aware some dishwasher cleaning agents can permanently discolour the filter, though this will not affect its performance.

Replacement grease filters are available from the same stockist from which you purchased the hood:

eiQTMGREASE1

REPLACEMENT FOR ACTIVATED CARBON FILTER

These are only required in units that have been installed in recirculation mode (not vented to the outside). This filter traps odours and must be replaced ideally every 3-6 months depending on how frequently the cooker hood has been used.

eIQTMCARBONCURV (Carbon Filter Pack of 2)

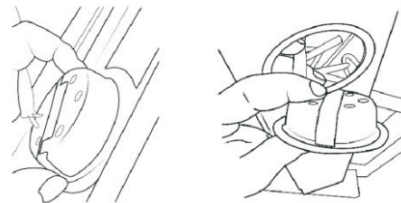
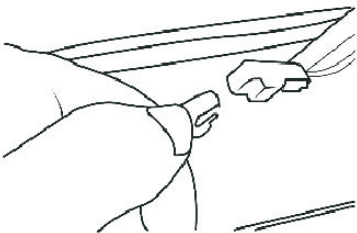
LIGHT BULB REPLACEMENT

This hood is fitted with an LED light unit, which under normal operation can last the lifetime of the hood. In the event that it does fail, replacement light units are available from the same retailer the hood was purchased from.

Before changing the fitting, ensure the hood is turned off and the power is removed by either unplugging the unit or switching off at the pole switch (if installed) before attempting to change the bulb. Wait until the fitting has cooled down before commencing replacement.

1. Remove the aluminum grease filter from the hood.

2. Locate the top of the light fitting and squeeze the spring clips, while pushing the fitting out of the base of the hood.



3. Follow the wire from the light unit and find the power connector on the lead.

4. Disconnect the power connector from it, ensuring the light fitting is not allowed to fall from the unit

5. Replace with a new light unit, which after connecting the electrical connection, should be pushed into position on the base of the hood.

6. Refit the aluminum grease filters.

Important

- If a bulb is found to be defective, it should be replaced immediately.
- Always switch off the electricity supply before carrying out any operations on the appliance. When handling the bulb, make sure it has completely cooled down before any direct contact to hands.

TROUBLESHOOTING

Fault	Cause	Solution
Light on, but fan does not work	The fan blade is jammed.	Switch off the unit. Repair to be carried out by qualified service personnel only.
	The motor is damaged.	
Both light and fan do not work	Halogen light bulb blown	Replace the bulb with correct rating.
	Power cord loose	Plug in to the power supply again.
Excessive Vibration	The fan blade is damaged.	Switch off the unit. Repair to be carried out by qualified service personnel only.
	The fan motor is not fixed tightly.	Switch off the unit. Repair to be carried out by qualified service personnel only.
	The unit is not hung properly on the bracket.	Take down the unit and check whether the bracket is in proper location.
Suction performance not good	1 Grease filters clogged? 2 Distance between the unit and the cooking plane too great.	1 Clean or replace grease filters. 2. Adjust the distance to between 70cm and 80cm.

MANUFACTURER SUPPORT

www.electriQ.co.uk
Unit J6, Lowfields Business Park
 Lowfields Way, Elland
 West Yorkshire, HX5 9DA

Telephone: 0871 984 4416
 Office Hours: 9:00am to 5:00pm Monday to Friday

ENVIRONMENTAL PROTECTION

Waste electrical products should not be disposed of with household waste. Please recycle where facilities exist. Check with your Local Authority or retailer for recycling advice.



INFORMATION FOR DISMANTLING

Do not dismantle the appliance in a way which is not shown in the user manual. The appliance could not be dismantled by user. At the end of life, the appliance should not be disposed of with household waste. Check with you Local Authority or retainer for recycling advice.

TECHNICAL SPECIFICATION

	Symbol	Value	Unit
Model identification		eiQCURV70SC eiQCURV70BL	
Annual Energy Consumption	AEC_{hood}	46.4	kWh/a
Time increase factor	f	1.27	
Fluid Dynamic Efficiency	FDE_{hood}	20.39	
Fluid Dynamic Efficiency class		C	
Energy Efficiency Index	EEl_{hood}	66.69	
Energy Efficiency class		B	
Measured airflow rate at the best efficiency	Q_{BEP}	259.95	m ³ /h
Measured air pressure at best efficiency point	P_{BEP}	270.19	Pa
Maximum airflow	Q_{max}	499.19	m ³ /h
Air flow at working point (highest setting)		487.3	m ³ /h
Air flow at working point (lowest setting)		310.4	m ³ /h
Measured electric power input at best efficiency point	W_{BEP}	95.68	W
Nominal power of the lighting system	W_L	3	W
Average illumination of the lighting system on the cooking surface	E_{middle}	186	lux
Lighting efficiency	LE_{hood}	62	Lux/W
Lighting efficiency class		A	
Grease Filtering Efficiency	GFE_{hood}	73.86%	
Grease Filtering Efficiency (GFE hood) class		D	
Measured power consumption on standby mode	P_S	-	W
Measured power consumption on off mode	P_O	0	W
Sound power level(Highest setting)	L_{WA}	68	dB
Sound power level(Lowest setting)	L_{WA}	60	dB

The following shows how to reduce total environmental impact (e.g. energy use) of the cooking process).

- (1) Install the cooker hood in a proper place where there is efficient ventilation.
- (2) Clean the cooker hood regularly so as not to block the airway.
- (3) Remember to switch off the cooker hood light after cooking.
- (4) Remember to switch off the cooker hood after cooking.