



### **Make even the most complex meals simple to prepare**

This large-capacity oven is specially designed to cook several different dishes at once, taking all the stress out of preparing a meal.

---

This large-capacity oven is specially designed to cook several different dishes at once, taking all the stress out of preparing a meal.

## Product Benefits & Features



### **Because you've got better things to do than clean your hob!**

Thanks to the ultra-smooth, homogenous surface of this ceramic hob, you can cook quickly, clean even faster – and then get out of the kitchen and on with your evening.

- Hot hob indicator
- Thermaflow® fan oven
- Top cavity features:
- Main oven features:
- Top heat
- Cooker features:
- Catalytic liners in both ovens
- Interior light in main oven
- Triple glazed doors
- Top oven: A energy rating

### **The effortless way to a clean oven**

You can keep this oven clean with doing hardly any cleaning. Its special catalytic lining absorbs grease before burning it up at high temperatures.

### **Get twice the cooking capacity with two oven cavities**

Let's face it – in the kitchen, you don't always have the luxury of being able to do things one at a time. Luckily, with two oven cavities, you can easily bake and grill simultaneously – getting your meal onto the table much faster.

### **Everything evenly cooked**

Get evenly-cooked meals every time with Zanussi. The built-in fan distributes air around the oven cavity for precise coverage. Everything emerges as it should. No more partly-cooked or overdone bits. Just great food that's always ready for the table.

### **Let your oven do the cooking with the minute minder feature**

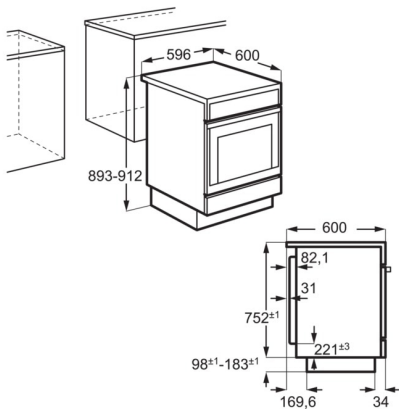
Leave the cooking to your oven while you get on with life. This minute minder lets you know as soon as dinner is ready to be served!

### Product Specification

Dimensions	894-912x600x600
Voltage	240
Total electricity loading, W	11100
Required Fuse	30
Cavity size	77
Volume usable, l	39
Largest Surface area	1330
Colour	Black
Self-Cleaning?	Catalytic
Cleaning Bottom Oven	Catalytic
Power Management	No
Energy class	A
Energy efficiency class	A
Energy consumption, conventional mode, kWh per cycle	0
Energy consumption, hot air, kWh/cycle	0.83
Energy consumption per EU standard cycle	0.75
Energy consumption, fan forced, kWh/cycle	0
Right front - Power/Diameter	1200W/145mm
Right rear - Power/Diameter	1700W/180mm
Dial	1700W/180mm
Rear - Power/Diameter	1200W/145mm

Tray types included	1 Dripping pan black enamel
Type of Trays - Bottom Oven	No
Grids	2 Flat shelf chromed wirework
Grids type - Bottom Oven	1 Flat shelf chromed wirework, 1 Grill pan grid chromed wirework
Runners	Grid Runners
Runners - Bottom Oven	Grid Runners
Gas supply: natural gas	No
Gas replacement	No
Gas replacement	No

PSGBCO190DE00003



PSGBCO190DE00008

