

TH534

BenQ Projector



Features

- Dual HDMI inputs for multiplatform digital connectivity
- 3300 ANSI Lumen High Brightness for Stunning Presentations
- 15,000:1 High Native Contrast for Crisp Readability
- Simple Setup, Intuitive Operation, and Hassle-Free Maintenance
- Eco-Friendly Low Total Cost of Ownership



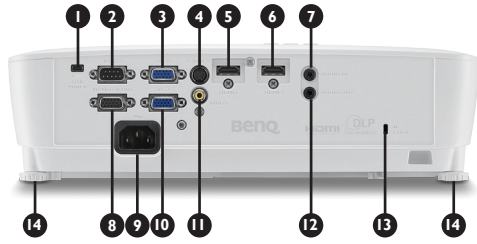
Product Specifications

Technology	Projection System	DLP
	DMD type	DC3
Image	Native Resolution	1080p, 1920 x 1080
	Brightness	3300 ANSI Lumen
	Contrast ratio	15000 : 1
	Keystone Correction	1D, Vertical +/- 40 degrees
	Aspect Ratio	Native 16 : 10 (5 aspect ratio selectable)
	Light Source	UHP 203W
	Light Source life*	4500 / 6000 / 10000 hours
Optical	Throw Ratio	1.37 - 1.64
	Projection Offset	Vertical: 107%±2.5% (Full image height)
	Zoom Ratio	1.2 x
	Lens	F=2.42-2.62, f=19.0-22.65
	Projection Size	60"~300"
Compatibility	Resolution Support	VGA (640 x 480) to WUXGA_RB (1920 x 1200) *RB = Reduced blanking
	Horizontal Frequency	15K - 102KHz
	Vertical Scan Rate	23 - 120Hz
	HDTV Compatibility	480i, 480p, 576i, 576p, 720p, 1080i, 1080p
	Video Compatibility	NTSC, PAL, SECAM
	3D Compatibility (Please refer to User Manual for detailed support timing.)	Frame Sequential: Up to 60Hz 720p Frame Packing: Up to 24 Hz 1080p Side by Side: Up to 24Hz 1080p Top Bottom: Up to 60Hz 1080p
Advanced Feature Interface	Security	Security bar / Kensington Security Slot
	Computer input (D-sub 15pin)	x 2 (integrate with component)
	HDMI	x 2
	Monitor output	x 1
	Composite Video input (RCA)	x 1
	S-Video input	x 1
	Audio input (Mini Jack)	x 1
	Audio output (Mini Jack)	x 1
	Speaker	2W x 1
	USB (Type mini B)	x 1
	RS232 (DB-9pin)	x 1
	IR Receiver	x 1 (front)
General	Power Consumption	260W (Max), 252W (Normal), 211W (Eco), Standby <0.5W
	Power Supply	AC100 to 240V, 50 to 60 Hz
	Product Dimensions	332.4 x 99 x 214.3 mm
	Product Weight	5.33 lbs (2.42 Kg)
	Noise Level	32 / 29 dBA (Normal / Economic mode)
	Environmental Notice	Lamp in this product contains mercury. To dispose of the product or used lamps, consult your local environment authorities for regulations or see www.lamprecycle.org .
	On Screen Display Language	Arabic / Bulgarian / Croatian / Czech / Danish / Dutch / English / Finnish / French / German / Greek / Hindi / Hungarian / Italian / Indonesian / Japanese / Korean / Norwegian / Polish / Portuguese / Romanian / Russian / Simplified Chinese / Spanish / Swedish / Turkish / Thai / Traditional Chinese (28 Languages)
	Accessories	Standard Remote Control w Battery (5JJG706.001) Warranty Card (by region) Power Cord (by region) VGA cable QSG (4JJG701.001) Optional Spare Lamp Kit (5JJG705.001) 3D Glasses Ceiling mount Dust Filter

*Lamp life results will vary depending on environmental conditions and usage. Actual product's features and specifications are subject to change without notice.

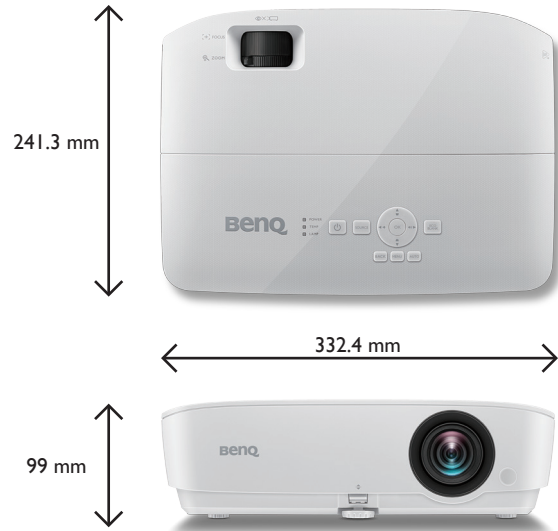
** Default mode is Presentation. When 3D is on, Picture Modes only shows 3D. When 3D is off, it is not shown in Picture Modes.

Input and Output Terminals

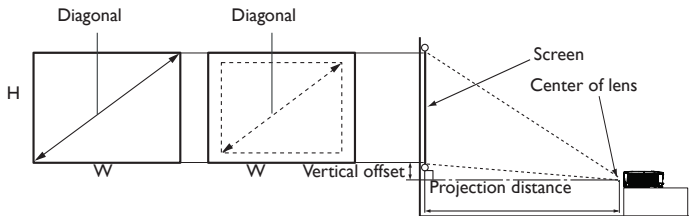


- | | |
|-------------------------|-------------------------|
| ① USB Mini B input jack | ⑧ Monitor output |
| ② RS-232 control port | ⑨ AC power cord inlet |
| ③ PC 1 | ⑩ PC 2 |
| ④ S-Video | ⑪ Video input jack |
| ⑤ HDMI 1 | ⑫ Audio output jack |
| ⑥ HDMI 2 | ⑬ Rear IR remote sensor |
| ⑦ Audio input jack | ⑭ Rear adjuster foot |

Dimensions



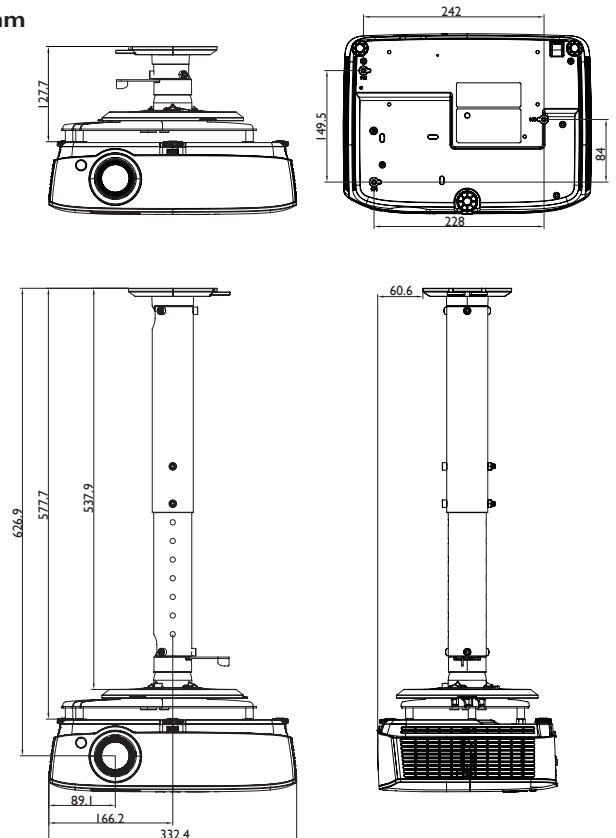
Distance Chart



Screen size			Distance from screen (mm)				Vertical offset (mm)
Diagonal	W	H	Min length (max. zoom)	Average	Max length (min. zoom)		
Inch	mm	(mm)	(mm)	(mm)	(mm)	(mm)	
35	889	775	436	992	1100	1209	30
40	1016	886	498	1133	1257	1381	34
50	1270	1107	623	1417	1572	1727	43
60	1524	1328	747	1700	1886	2072	51
80	2032	1771	996	2267	2515	2763	68
100	2540	2214	1245	2834	3144	3454	86
120	3048	2657	1494	3400	3772	4144	103
150	3810	3321	1868	4250	4715	5180	128
200	5080	4428	2491	5667	6287	6907	171
220	5588	4870	2740	6234	6916	7598	188
250	6350	5535	3113	7084	7859	8634	214
300	7620	6641	3736	8501	9431	10361	257

Ceiling Mount Chart

Ceiling mount screw: M4
(Max L = 25 mm; Min L=20 mm)
Unit: mm



BenQ Europe B.V.

Meerenakkerweg 1-17
5652 AR Eindhoven
The Netherlands
Tel: +31 88 8889200
Fax: +31 88 8889299

BenQ.eu

© 2017 BenQ Corp. Specification may vary by region, please visit your local stores for details. Actual product's features and specifications are subject to change without notice. This material may include corporate names and trademarks of third parties which are the properties of the third parties respectively.

BenQ