

**Serie | 2, Fully-integrated dishwasher,
60 cm
SMV2ITX18G**



Optional accessories

- SGZ1010 : inlet and outlet hose extention
- SMZ5003 : Retractable hinge f. high corpus dimens.
- SMZ5006 : decorative strips 81cm st.steel
- SMZ5300 : GlassSecure Tray

**Connected dishwasher with noise reduction
at any time via the Home Connect App.**

- **Home Connect:** home appliances with smart connectivity for an easier everyday life.
- **ExtraDry:** extra drying option for difficult-to-dry loads.
- **Silence on demand:** up to 30 min noise reduction at any time via the Home Connect App.
- **InfoLight:** a red infolight on the floor indicates whether the dishwasher is switched on or off.
- **Favourite function:** personalized function by just one touch.

Technical Data

Energy Efficiency Class (Regulation (EU) 2017/1369):	E
Energy Consumption for 100 cycles Eco Programme (EU 2017/1369):	92
Maximum number of place settings (EU 2017/1369):	12
The water consumption of the eco programme in liters per cycle (EU 2017/1369):	10.5
Programme duration (EU 2017/1369):	4:30
Airborne acoustical noise emissions (EU 2017/1369):	48
Airborne acoustical noise emission class (EU 2017/1369):	C
Construction type:	Built-in
Height of removable worktop (mm):	0
Dimensions of the product (HxWxD):	815 x 598 x 550
Required niche size for installation (HxWxD):	815-875 x 600 x 550
Approval certificates:	CE, VDE
Depth with open door 90 degree (mm):	1150
Adjustable feet:	Yes - all from front
Maximum adjustability feet (mm):	60
Adjustable plinth:	both horizontal and vertical
Net weight (kg):	30.910
Gross weight (kg):	33.2
Connection rating (W):	2400
Current (A):	10
Voltage (V):	220-240
Frequency (Hz):	50; 60
Length of electrical supply cord (cm):	175
Plug type:	GB plug
Length inlet hose (cm):	165
Length outlet hose (cm):	190
EAN code:	4242005275069
Installation type:	Full-integrated



4 242005 275069

Serie | 2, Fully-integrated dishwasher, 60 cm SMV2ITX18G

Connected dishwasher with noise reduction at any time via the Home Connect App.

New for 2021

Performance

- Energy Efficiency Class¹: E
- Energy² / Water³: 92 kWh / 10.5 litres
- Capacity: 12 place settings
- Programme duration⁴: 4:30 (h:min)
- Noise level: 48 dB(A) re 1 pW
- Noise Efficiency Class: C

Programmes / functions

- 5 programmes: Eco 50 °C, Auto 45-65 °C, Intensive 70 °C, Express 65°, Favourite
- Default favourite programme: Pre-Rinse
- 4 special options: Remote Start, Extra Dry, Half Load, SpeedPerfect
- Machine Care
- Silence on Demand (via app)

Flexible design elements

- Normal baskets
- Low friction wheels on bottom basket
- Rack Stopper to prevent derailing of bottom basket
- Cutlery basket in lower rack
- Upper rack cup shelf
- Glass holder in top basket

Innovations and technology

- Home Connect ready on WLAN
- DosageAssist detergent dispenser
- EcoSilence BLDC drive
- Automatic detergent detection
- Aqua and loading sensor
- AquaMix - Glass protection system

Design features

- Push button top edge controls
- InfoLight (Red) - Light projection on the floor
- Time delay (3, 6 or 9 hours)
- AquaStop: Bosch warranty in case of water damage - for the lifetime of the appliance. Please find warranty terms

under <https://www.bosch-home.co.uk/customer-service/care-protection-and-parts/additional-warranties>

- Self cleaning filter system with 3 piece corrugated filter
- Large item spray head, steam protection plate
- Stainless steel/Polinox interior
- Dimensions (HxWxD): 81.5 x 59.8 x 55cm

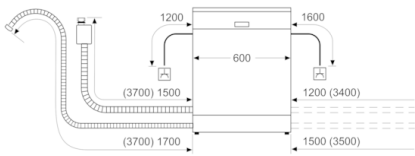
¹ Scale of Energy Efficiency Classes from A to G

² Energy consumption in kWh per 100 cycles (in programme Eco 50 °C)

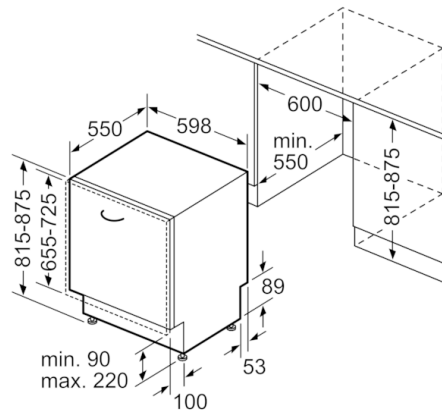
³ Water consumption in litres per cycle (in programme Eco 50 °C)

Serie | 2, Fully-integrated dishwasher, 60 cm SMV2ITX18G

measurements in mm



socket
() values with extension kit



measurements in mm