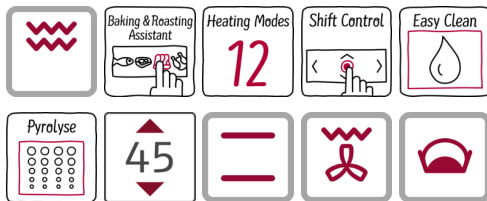


N 90
 COMPACT OVEN WITH MICROWAVE
 C27MS22N0B
 STAINLESS STEEL



Compact built-in oven with integral microwave - even more ways to cook quickly and conveniently in a very small space

- ✓ Compact oven with microwave - even more ways to cook quickly and conveniently.
- ✓ Shift Control - fast navigation through menus and simple operation with the generous TFT display.
- ✓ Dual cleaning options:
 - ✓ Pyrolytic following heavy use - just let the oven interior clean itself.
 - ✓ EasyClean® - the quick and easy option for day to day maintenance.
- ✓ Modern LED lighting for bright, even illumination
- ✓ Hinged door with cushioned opening and closing.



Features

Technical Data

Type of micro-wave oven : MW-Combi
 Type of control : Electronic
 Color / Material Front : Stainless steel
 Dimensions of the product (mm) : 455 x 596 x 548
 Cavity dimensions (mm) : 237.0 x 480 x 392.0
 Length of electrical supply cord (cm) : 150
 Net weight (kg) : 36.0
 Gross weight (kg) : 38.0
 EAN code : 4242004185369
 Maximum micro-wave power (W) : 900
 Connection rating (W) : 3600
 Current (A) : 16
 Voltage (V) : 220-240
 Frequency (Hz) : 60; 50
 Plug type : no plug

Included accessories

1 x combination grid
 1 x universal pan



4 242004 185369

Optional accessories

Z11SZ60X0 SeamlessCombination 45 + 14cm
 Z11SZ90X0 SeamlessCombination 60 + 45cm
 Z18M45X0 Cookbook

N 90
COMPACT OVEN WITH MICROWAVE
C27MS22NOB
STAINLESS STEEL

Features

Programmes/functions

- Rapid heat
- Compact oven with microwave with 12 heating methods: 4D Hot air, CircoTherm® Eco, Top/bottom heat, Conventional heat eco, Hot air grilling, Full surface grill, Centre surface grill, CircoTherm® intensive, Bottom heat, Low temperature cooking, Dough proving, Plate warming
- Additional heating methods with microwave: Microwave, Microwave combination cooking

Special features

- Pyrolytic cleaning in main oven
- EasyClean
- Number of automatic programmes: 14 PC
- Stainless-steel fan
- 4.1" TFT colour and graphics display with ShiftControl
- Automatic safety switch off, Start button
- Drop down door, SoftClose, soft opening

Features

- Temperature proposal
Actual temperature display
Heating up indicator
automatic programmes:
Sabbath setting
- Door lock during pyrolytic cleaning
Control panel lock
Automatic safety switch off
Residual heat indicator
Start button
Door contact switch
- Microwave top door
- Bake and roast assist, Automatic programmes
- Temperature range 30 °C - 300 °C
- Max. Power: 900 W; 5 Microwave power settings (90 W, 180 W, 360 W, 600 W, 900 W) with Inverter (MW)
- LED light
- Cooling fan
- Info button

Design

- Illuminated Shift Control
- Bar handle
- Cavity inner surface: Enamel anthracite
- Silver display EasyClock

Standard accessories

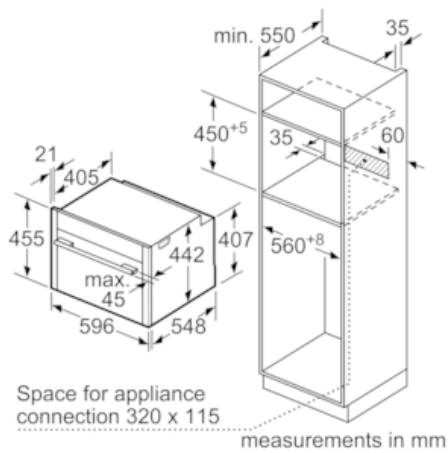
- 1 x combination grid, 1 x universal pan

Technical information

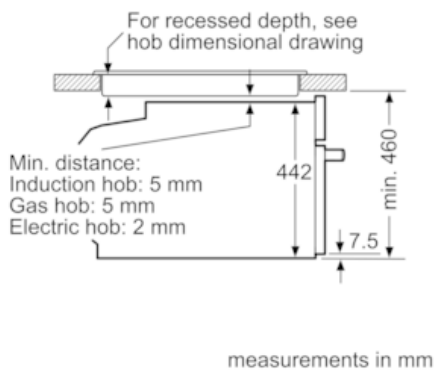
- Cavity volume: 45 litre
- Microwave inverter technology
- Length of mains cable: 150 cm
- Total connected load electric: 3.6 KW
- Appliance dimension (hxwx): 455 mm x 596 mm x 548 mm
- Niche dimension (hxwx): 450 mm - 455 mm x 560 mm - 568 mm x 550 mm
- Please refer to the dimensions provided in the installation manual

N 90
 COMPACT OVEN WITH MICROWAVE
 C27MS22NOB
 STAINLESS STEEL

Dimensioned drawings



Installation with a hob.



If the compact appliance will be installed underneath a hob, the following worktop thicknesses (including substructure if necessary) must be taken into account.

Hob type	min. worktop thickness	
	fitted	flush
Induction hob	42 mm	43 mm
Full surface Induction hob	52 mm	53 mm
Gas hob	32 mm	43 mm
Electric hob	32 mm	35 mm