

## iQ700, Built-in compact oven with steam function, Stainless steel CS656GBS6B



### Included accessories

1 x grid, 1 x universal pan, 1 x steam container, punched, size S, 1 x steam container, punched, size XL, 1 x steam container, unpunched, size S

### Optional accessories

HZ915003	Glass roasting dish, 5,4 L
HZ6FCC0	Cookbook
HZ66X650	Cover Strip
HZ66X600	Decor list
HZ664000	Baking and roasting grid (steam)
HZ638D18	1 telescopic rail, full ext, 45cm, steam
HZ636000	Glass pan
HZ631070	Baking tray, anthracite enamelled
HZ625071	Grill tray, anthracite enamelled
HZ531010	Baking tray, non-stick ceramic coated
HZ327000	Baking stone

### The compact oven with fullSteam function

- ✓ fast preheat: reach the required baking temperature sooner; coolStart: no need to preheat the oven for deep frozen food.
- ✓ The full steam function: making it simple to cook healthy and delicious meals
- ✓ Home Connect: Allows access and control your oven, no matter where you are - with the easy-to-use Home Connect App
- ✓ 4D hotAir: flexible choice of shelf.
- ✓ softMove: gentle opening and closing of the oven door.
- ✓ Remote Diagnostics: Let our professionals analyse appliance problems via remote access.

### Features

#### Technical Data

Color / Material Front : Stainless steel  
 Construction type : Built-in  
 Door opening : Drop down  
 Required niche size for installation (HxWxD) : 450-455 x 560-568 x 550  
 Dimensions of the product (mm) : 455 x 594 x 548  
 Dimensions of the packed product (HxWxD) (mm) : 530 x 660 x 690  
 Control Panel Material : Stainless steel  
 Door Material : Glass  
 Net weight (kg) : 34.849  
 Approval certificates : CE, VDE  
 Length of electrical supply cord (cm) : 150  
 EAN code : 4242003801826  
 Current (A) : 16  
 Voltage (V) : 220-240  
 Frequency (Hz) : 60; 50  
 Plug type : no plug  
 Approval certificates : CE, VDE  
 Number of cavities (2010/30/EC) : 1  
 Usable volume (of cavity) - NEW (2010/30/EC) : 47  
 Energy efficiency class (2010/30/EC) : A+  
 Energy consumption per cycle conventional (2010/30/EC) : 0.73  
 Energy consumption per cycle forced air convection (2010/30/EC) : 0.61  
 Energy efficiency index (2010/30/EC) : 81.3



## iQ700, Built-in compact oven with steam function, Stainless steel CS656GBS6B

### Features

#### Design

- 3.7" TFT touchDisplay
- Full colour display
- Stainless steel control dial
- softMove: gentle opening and closing of the oven door.
- Drop down oven door, softClose, softOpen
- Bar handle
- Enamel anthracite
- Removable wire shelf support rails, Smooth enamelled oven interior

#### Features

- Digital temperature display with proposal Actual temperature display Heating-up indicator Sabbath setting
- Control panel lock Automatic safety switch off Residual heat indicator Start button Door contact switch
- WLAN - Home connect enabled
- cookControl Plus
- Electronic oven clock timer
- Main on/off switch
- LED light, Light on/off when door opened/closed
- Light on/off when door opened/closed
- 3 shelf positions
- Tank empty indicator
- Integral cooling fan

#### Cleaning

- ecoClean programme
- Full glass inner door

#### Programmes/functions

- Compact steam oven with 13 main functions heating methods: 4D hot air, hotairGentle, conventional top & bottom heating, Conventional heat Gentle, hot air grilling, full width grill, half width grill, Pizza setting, coolStart, bottom heat, low temperature cooking, keep warm, plate warming
- Additional heating methods with steam: steam, reheating, Dough proving, defrost
- Additional functions: Descaling programme Drying function autom. boiling point detection
- Fast preheat

#### Standard accessories

- Cavity with shelf support rails
- 1 x steam container, punched, size S, 1 x steam container, punched, size XL, 1 x steam container, unpunched, size S, 1 x grid, 1 x universal pan

#### Performance/technical information

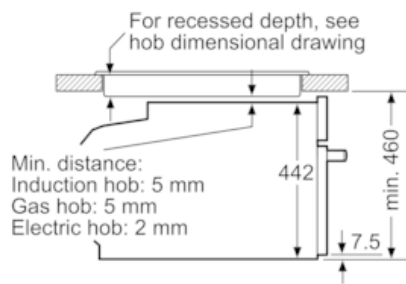
- Energy efficiency rating (acc. EU Nr. 65/2014): A+ Energy consumption per cycle in conventional mode: 81.3 Energy consumption per cycle in fan-forced convection mode: 0.61 kwh
- Number of cavities: 1 Cavity volume: 47 litre capacity
- 1 l Water tank capacity:
- Temperature range 30 °C - 250 °C
- Power cord length 150 cm Cable length
- Total connected load electric: 3.3 KW
- Nominal voltage: 220 - 240 V
- Appliance dimension (hxwx): 455 mm x 594 mm x 548 mm

- Niche dimension (hxwx): 450 mm - 455 mm x 560 mm - 568 mm x 550 mm
- Please refer to the dimensions provided in the installation manual

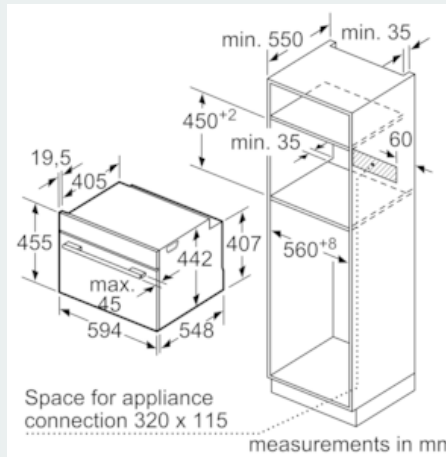
**iQ700, Built-in compact oven with steam function, Stainless steel CS656GBS6B**

Dimensioned drawings

Installation with a hob.



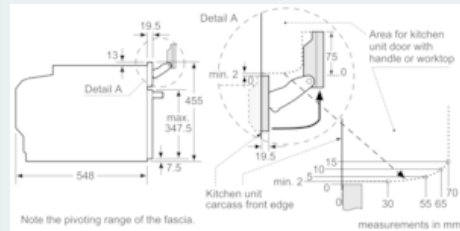
measurements in mm



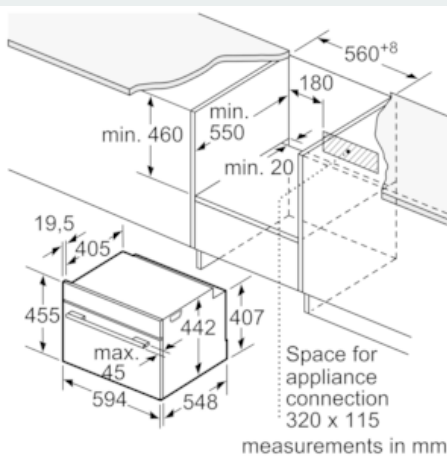
measurements in mm

If the compact appliance will be installed underneath a hob, the following worktop thicknesses (including substructure if necessary) must be taken into account.

Hob type	min. worktop thickness	
	fitted	flush
Induction hob	42 mm	43 mm
Full surface Induction hob	52 mm	53 mm
Gas hob	32 mm	43 mm
Electric hob	32 mm	35 mm



measurements in mm



measurements in mm