



User Manual

Refrigerator-Freezer

HRF-522W*6

HRF-521D*6

*= Colour code:
S,T,CR,BB,W,N,GW,
G,B,GR,X,F or M

GB

HRF-521Dx6-522W*6_GB V02_112016

Haier



0060518883T

Haier

GB

GB

We recommend our Haier Customer Service and the use of original spare parts. If you have a problem with your appliance, please first check section TROUBLESHOOTING.

If you cannot find a solution there, please contact

- ▶ your local dealer or
- ▶ the Service & Support area at www.haier.com where you can find telephone numbers and FAQs and where you can activate the service claim.

To contact our Service, ensure that you have the following data available. The information can be found on the rating plate.

Model _____ Serial No. _____

Also check the Warranty Card supplied with the product in case of warranty.

For general business enquiries please find below our addresses in Europe:

European Haier addresses			
Country*	Postal address	Country*	Postal address
Italy	Haier Europe Trading SRL Via De Cristoforis, 12 21100 Verese ITALY	France	Haier France SAS 3-5 rue des Graviers 92200 Neuilly sur Seine FRANCE
Spain Portugal	Haier Iberia SL Pg. Garcia Faria, 49-51 08019 Barcelona SPAIN	Belgium-FR Belgium-NL Netherlands Luxembourg	Haier Benelux SA Anderlecht Route de Lennik 451 BELGIUM
Germany Austria	Haier Deutschland GmbH Hewlett-Packard-Str. 4 D-61352 Bad Homburg GERMANY	Poland Czechia Hungary Greece Romania Russia	Haier Poland Sp. zo.o. Al. Jerozolimskie 181B 02-222 Warszawa POLAND
United Kingdom	Haier Appliances UK Co.Ltd. One Crown Square Church Street East Woking, Surrey, GU21 6HR UK		

*For more information please refer to www.haier.com

Thank you for purchasing a Haier Product.

Please read these instructions carefully before using this appliance. The instructions contain important information which will help you get the best out of the appliance and ensure safe and proper installation, use and maintenance.

Keep this manual in a convenient place so you can always refer to it for the safe and proper use of the appliance.

If you sell the appliance, give it away, or leave it behind when you move house, make sure you also pass this manual so that the new owner can become familiar with the appliance and safety warnings.

Legend

Warning – Important Safety information



General information and tips

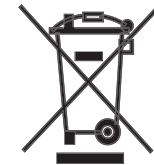


Environmental information



Disposal

Help protect the environment and human health. Put the packaging in applicable containers to recycle it. Help to recycle waste of electrical and electronic appliances. Do not dispose appliances marked with this symbol with the household waste. Return the product to your local recycling facility or contact your municipal office.



WARNING!

Risk of injury or suffocation!

Refrigerants and gases must be disposed of professionally. Ensure that the tubing of the refrigerant circuit is not damaged before being properly disposed of. Disconnect the appliance from the mains supply. Cut off the mains cable and dispose of it. Remove the trays and drawers as well as the door catch and seals, to prevent children and pets to get closed in the appliance.

1- Safety information.....	5
2- Intended use	9
3- Product description	10
4- Control panel.....	11
5- Use.....	12
6- Energy saving tips	21
7- Equipment	22
8- Care and cleaning	24
9- Troubleshooting.....	27
10- Installation.....	30
11- Technical data	33
12- Customer service.....	34

11.1 Product fiche according to regulation EU No. 1060/2010

Trade mark	Haier
Model identifier	HRF-521D*6 HRF-522W*6
Category of the model	Refrigerator-freezer
Energy efficiency class	A+
Annual energy consumption (kWh/year) ¹⁾	435
Storage volume cooling (L)	341/333
Storage volume freezing (L) ****	177
Star rating	
Temperature of other compartments > 14°C	Non applicable
Frostfree system	Yes
Temperature rise time (h)	5
Freezing capacity (kg/24h)	12
Climate class This appliance is intended to be used at an ambient temperature between 10 °C and 43°C.	SN-N-ST-T
Airborne acoustical noise emissions (db(A) re 1pW)	43
Construction type	Freestanding

* Color code

¹⁾based on standard test results for 24 hours. Actual energy consumption will depend on how the appliance is used and where it is located.

11.2 Additional technical data

Voltage / Frequency	220-240V ~/ 50Hz
Input power (W)	200
Main fuse (A)	15
Coolant	R600a
Dimensions (H/W/D in mm)	1790 /908 /655

11.3 Standards and directives

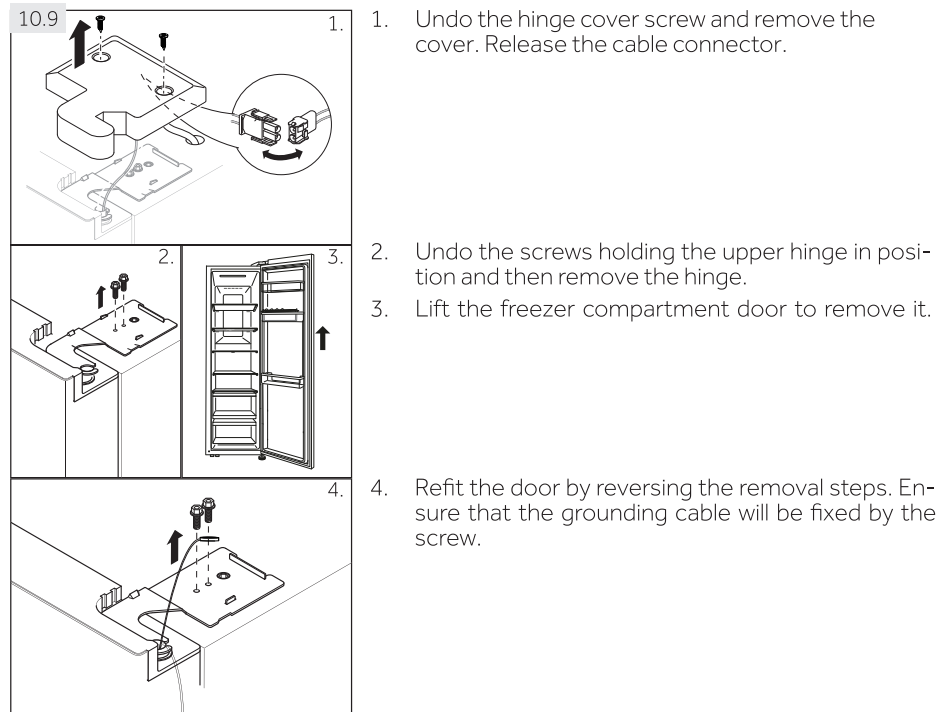
This product meets the requirements of all applicable EC directives with the corresponding harmonised standards, which provide for CE marking.

10.9 Removing and installing the doors

In the event that you need to remove the appliance doors, please follow the door removal and installation instructions below (Fig. 10.9).

WARNING!

- ▶ Before any operation, deactivate the appliance and disconnect the mains plug from the mains socket.
- ▶ The appliance is heavy. Always handle with at least two persons.
- ▶ Do not tilt the appliance more than 45° or place it horizontally on the ground



Notice: Fridge door

The pictures show the removing of the freezer compartment door. For the fridge door please use the corresponding parts on the other site.

Before switching on the appliance for the first time read the following safety hints!:

WARNING!

Before first use

- ▶ Make sure there is no transport damage.
- ▶ Remove all packaging and keep out of children's reach.
- ▶ Wait at least two hours before installing the appliance in order to ensure the refrigerant circuit is fully efficient.
- ▶ Handle the appliance always with at least two persons because it is heavy.

Installation

- ▶ The appliance should be placed in a well-ventilated place. Ensure a space of at least 20 cm above and 10 cm around the appliance.
- ▶ Never place the appliance in a damp area or location where it might be splashed with water. Clean and dry water splashes and stains with a soft clean cloth.
- ▶ Do not install the appliance in direct sunlight or in the near of heat sources (e.g. stoves, heaters).
- ▶ Install and level the appliance in an area suitable for its size and use.
- ▶ Keep ventilation openings in the appliance or in the in-built structure clear of obstruction.
- ▶ Make sure that the electrical information on the rating plate agrees with the power supply. If it does not, contact an electrician.
- ▶ The appliance is operated by a 220-240 VAC/50 Hz power supply. Abnormal voltage fluctuation may cause the appliance to fail to start, or damage to the temperature control or compressor, or there may be an abnormal noise when operating. In such case, an automatic regulator shall be mounted.
- ▶ Use a separate earthed socket for the power supply which is easy accessible. The appliance must be earthed.
- ▶ **Only for UK:** The appliance's power cable is fitted with 3-cord (grounding) plug that fits a standard 3-cord (grounded) socket. Never cut off or dismount the third pin (grounding). After the appliance is installed, the plug should be accessible.
- ▶ Do not use multi-plug adapters and extension cables.
- ▶ Ensure that the power cable is not trapped by the appliance. Do not step on the power cable.
- ▶ Do not damage the refrigerant circuit.

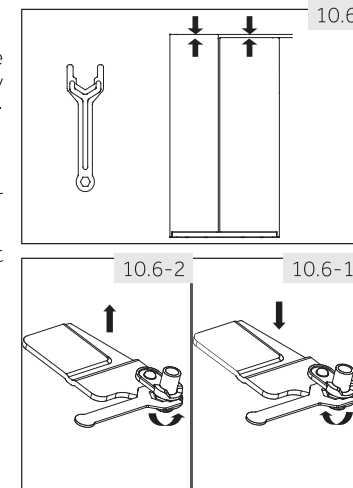
**WARNING!****Daily use**

- ▶ This appliance can be used by children aged from 8 years and above and persons with reduced physical, sensory or mental capabilities or lack of experience and knowledge if they have been given supervision or instruction concerning use of the appliance in a safe way and understand the hazards involved.
- ▶ Keep away children under 3 years of age from the appliance unless they are constantly supervised.
- ▶ Children shall not play with the appliance.
- ▶ If cool gas or other inflammable gas is leaking in the vicinity of the appliance, turn off the valve of the leaking gas, open the doors and windows and do not unplug a plug in the power cable of the appliance or any other appliance.
- ▶ Notice that the appliance is set for operation at a specific ambient range between 10 and 43°C. The appliance may not work properly if it is left for a long period at a temperature above or below the indicated range.
- ▶ Do not place unstable articles (heavy objects, containers filled with water) on top of the appliance, to avoid personal injury caused by falling or electric shock caused by contact with water.
- ▶ Do not pull on the door shelves. The door may be pulled slant, the bottle rack, may be pulled away, or the appliance may topple.
- ▶ Open and close the doors only with the handles. The gap between the doors and between the doors and the cabinet is very narrow. Do not extend your hands in these areas to avoid pinching your fingers. Open or close the doors only when there are no children standing within the range of door movement.
- ▶ Do not store or use inflammable, explosive or corrosive materials in the appliance or in the vicinity.
- ▶ Do not store medicines, bacteria or chemical agents in the appliance. This appliance is a household appliance. It is not recommended to store materials that require strict temperatures.
- ▶ Never store liquids in bottles or cans (besides high percentage spirits) especially carbonated beverages in the freezer, as these will burst during freezing.

10.6 Fine tuning of the doors

If the doors are still not in one level after levelling the doors by the feet, this mismatch can be remedied by turning the hinge lifting shaft at the right bottom corner of refrigerating door with a spanner (Fig. 10.6)

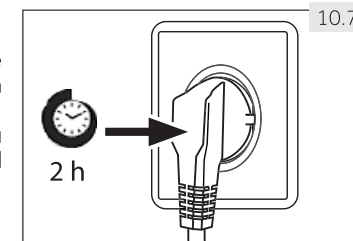
- ▶ Clockwise turn lifting shaft with spanner to lower door height (Fig. 10.6-1).
- ▶ Anticlockwise turn lifting shaft with spanner to lift door height Fig. 10.6-2).

**WARNING!**

Do not adjust the hinge lifting shaft excessively to a height which might cause the shaft to leave its original locked position. (Adjustable height range: 3 mm)

10.7 Waiting time

To the maintenance-free lubrication oil is located in the capsule of the compressor. This oil can get through the closed pipe system during slanting transport. Before connecting the appliance to the power supply you have to wait at least 2 hours (Fig.10.7) so that the oil runs back into the capsule.

**10.8 Electrical connection****Before each connection check if:**

- ▶ power supply, socket and fusing are appropriate to the rating plate.
- ▶ the power socket is earthed and no multi-plug or extension.
- ▶ the power plug and socket are strictly according.

Connect the plug to a properly installed household socket.

**WARNING!**

To avoid risks a damaged power cord must be replaced by the customer service (see warranty card).

10.1 Unpacking

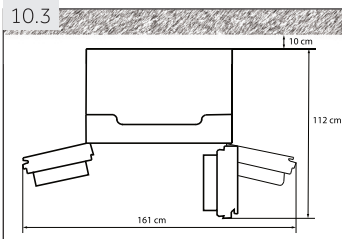


WARNING!

- ▶ The appliance is heavy. Always handle with at least two persons.
- ▶ Keep all packaging materials out of children's reach and dispose them in an environmentally friendly manner.
- ▶ Take the appliance out of the packaging.
- ▶ Remove all packaging materials including the transparent protective film.

10.2 Environmental conditions

The room temperature should always be between 10° C and 43° C, since it can influence the temperature inside the appliance and its energy consumption. Do not install the appliance near other heat-emitting appliances (ovens, fridges) without isolation.

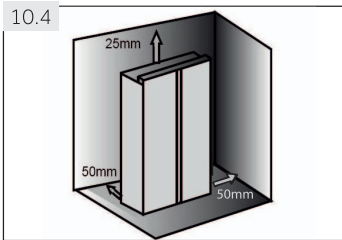


10.3 Space requirement

Required space when door is opened (Fig. 10.3):

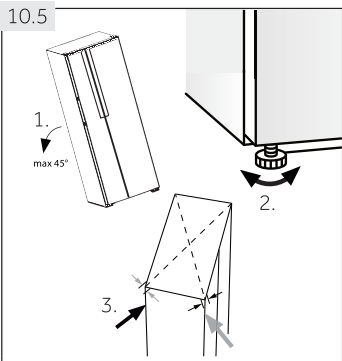
Appliance width: 161 cm

Appliance depth: 112 cm



10.4 Ventilation cross-section

To achieve sufficient ventilation of the appliance for safety reasons, the information of the required ventilation cross sections must be observed (Fig. 10.4).



10.5 Aligning the appliance

The appliance should be placed on a flat and solid surface.

1. Tilt the appliance slightly backwards (Fig. 10.5).
2. Set the feet to the desired level.

Make sure the distance to the wall on the hinge sides is at least 5 cm.

3. The stability can be checked by alternately bumping on the diagonals. The slightly swaying should be the same in both directions. Otherwise the frame can warp; possible leaking door seals are the result. A low tendency to the rear facilitates the closing of the doors.



WARNING!

Daily use

- ▶ Check the condition of food if a warming in the freezer has taken place.
- ▶ Do not set unnecessarily low temperature in the refrigerator compartment. Minus temperatures may occur at high settings. Attention: Bottles can burst.
- ▶ Do not touch frozen goods with wet hands (wear gloves). Especially do not eat ice lollies immediately after removal from the freezer compartment. There is the risk to freeze or the formation of frost blisters. FIRST aid: keep immediately under running cold water. Do not pull away!
- ▶ Do not touch the inside surface of the freezer storage compartment when in operation, especially with wet hands, as your hands may freeze onto the surface.
- ▶ Unplug the appliance in the event of a power interruption or before cleaning. Allow at least 5 minutes before restarting the appliance, as frequent starting may damage the compressor.
- ▶ Do not use electrical devices inside the food storage compartments of the appliance, unless they are of the type recommended by the manufacturer.
- ▶ Only use drinking water with models with water dispenser.

Maintenance / cleaning

- ▶ Make sure children are supervised if they carry out cleaning and maintenance.
- ▶ Disconnect the appliance from the electrical supply before undertaking any routine maintenance. Allow at least 5 minutes before restarting the appliance, as frequent starting may damage the compressor.
- ▶ Hold the plug, not the cable, when unplugging the appliance.
- ▶ Do not scrape off frost and ice with sharp objects. Do not use sprays, electric heaters like heater, hair dryer, steam cleaners or other sources of heat in order to avoid damage to the plastic parts.
- ▶ Do not use mechanical devices or other means to accelerate the defrosting process, other than those recommended by the manufacturer.



WARNING!

Maintenance / cleaning

- ▶ If the supply cord is damaged, it must be replaced by the manufacturer, its service agent or similarly qualified persons in order to avoid a hazard.
- ▶ Do not try to repair, disassemble or modify the appliance by yourself. In case of repair please contact our customer service.
- ▶ Eliminate the dust on the back of the unit at least once in the year to avoid hazard by fire, as well as increased energy consumption.
- ▶ Do not spray or flush the appliance during cleaning.
- ▶ Do not use water spray or steam to clean the appliance.
- ▶ Do not clean the cold glass shelves with hot water. Sudden temperature change may cause the glass to break.

Refrigerant gas information



WARNING!

The appliance contains the flammable refrigerant ISOBUTANE (R600a). Make sure the refrigerant circuit is not damaged during transportation or installation. Leaking refrigerant may cause eye injuries or ignite. If a damage has occurred, keep away open fire sources, thoroughly ventilate the room, do **not** plug or unplug the power cords of the appliance or any other appliance. Inform the customer service.

In case of eyes get into contact with the refrigerant, rinse immediately it under running water and call immediately the eye specialist.

Problem	Possible Cause	Possible Solution
A slight sound is to be heard similar to that of flowing water.	<ul style="list-style-type: none"> • This is normal. 	<ul style="list-style-type: none"> • -
You will hear an alarm beep.	<ul style="list-style-type: none"> • The door is open. 	<ul style="list-style-type: none"> • Close the door.
You will hear a faint hum.	<ul style="list-style-type: none"> • The anti-condensation system is working. 	<ul style="list-style-type: none"> • This prevents condensation and is normal.
The interior lighting or cooling system does not work.	<ul style="list-style-type: none"> • Mains plug is not connected in the mains socket. • The power supply is not intact. • The LED-lamp is out of order. 	<ul style="list-style-type: none"> • Connect the mains plug. • Check the electrical supply to the room. Call the local electricity company! • Please call the service for changing the lamp.
The sides of the cabinet and door strip get warm.	<ul style="list-style-type: none"> • This is normal. 	<ul style="list-style-type: none"> • -
No water is coming out of the water dispenser spout	<ul style="list-style-type: none"> • Lock is not deactivated. 	<ul style="list-style-type: none"> • Deactivate the lock.

9.2 Power interruption

In the event of a power cut, food should remain safely cold for about 5 hours. Follow these tips during a prolonged power interruption, especially in summer:

- ▶ Open the door/drawer as few times as possible.
- ▶ Do not put additional food into the appliance during a power interruption.
- ▶ If prior notice of a power interruption is given and the interruption duration is longer than 5 hours, make some ice and put it in a container in the top of the fridge compartment.
- ▶ An inspection of the goods is required immediately after the interruption.
- ▶ As temperature in the fridge will rise during a power interruption or other failure, the storage period and edible quality of food will be reduced. Any food that defrosts should be either consumed, or cooked and refrozen (where suitable) soon afterwards in order to prevent health risks.



Notice: Memory function during power interruption

After restoration of power the appliance continues with the settings that were set before the power failure.

Problem	Possible Cause	Possible Solution
It is not cold enough inside the appliance.	<ul style="list-style-type: none"> The temperature is set too high. Too warm goods has been stored. Too much food has been stored at one time. The goods are too close to each other. A door of the appliance is not tightly closed. The door has been opened too frequently or for too long. 	<ul style="list-style-type: none"> Reset the temperature. Always cool down goods before storing them. Always store small quantities of food. Leave a gap between several foods allowing air flowing. Close the door. Do not open the door too frequently.
It is too cold inside the appliance.	<ul style="list-style-type: none"> The temperature is set too low. The Super-Cool / Super-Freeze function is activated or is running too long. 	<ul style="list-style-type: none"> Reset the temperature. Switch off the Super-Cool / Super-Freeze function.
Moisture formation on the inside of the fridge compartment.	<ul style="list-style-type: none"> The climate is too warm and too damp. A door of the appliance is not tightly closed. The door has been opened too frequently or for too long. Food containers or liquids are left open. 	<ul style="list-style-type: none"> Increase the temperature. Close the door. Do not open the door too frequently. Let hot foods cool to room temperature and cover foods and liquids.
Moisture accumulates on the fridges outside surface or between the doors.	<ul style="list-style-type: none"> The climate is too warm and too damp. The door is not closed tightly. The cold air in the appliance and the warm air outside it condensates. 	<ul style="list-style-type: none"> This is normal in damp climate and will change when the humidity decreases. Ensure that the door is tightly shut.
Strong ice and frost in the freezer compartment.	<ul style="list-style-type: none"> The goods were not adequately packaged. A door/drawer of the appliance is not tightly closed. The door has been opened too frequently or for too long. The door gasket is dirty, worn, cracked or mismatched. Something on the inside prevents the door to close properly. 	<ul style="list-style-type: none"> Always pack the goods well. Close the door/drawer. Do not open the door too frequently. Clean the door gasket or replace them by new ones. Reposition the shelves, door racks, or internal containers to allow the door to close.
The appliance makes abnormal sounds.	<ul style="list-style-type: none"> The appliance is not located on level ground. The appliance touches some object around it. 	<ul style="list-style-type: none"> Adjust the feet to level the appliance. Remove objects around the appliance.

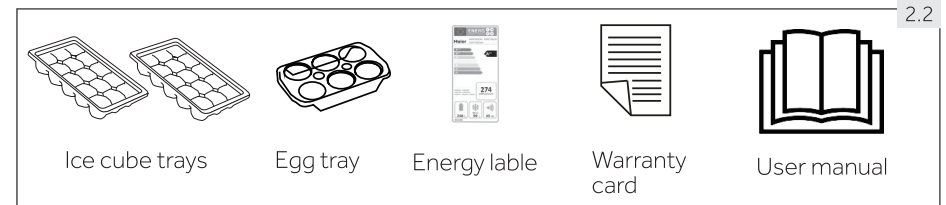
2.1 Intended use

This appliance is intended for cooling and freezing food. It has been designed exclusively for use in household and similar applications such as staff kitchen areas in shops, offices and other working environments; farm houses and by clients in hotels, motels and other residential type environments as well as in bed-and-breakfast and catering business. It is not intended for commercial or industrial use.

Changes or modifications to the device are not allowed. Unintended use may cause hazards and loss of warranty claims.

2.2 Accessories

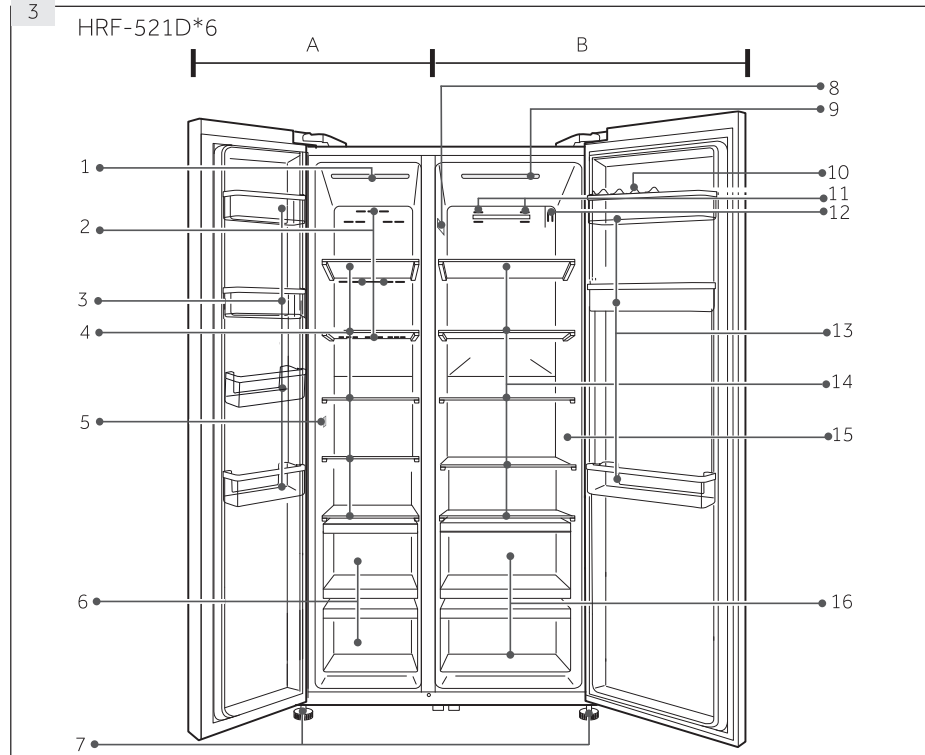
Check the accessories and literature in accordance with this list (Fig. 2.2):



Notice

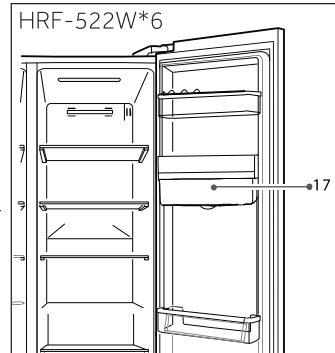
Due to technical changes and different models, some of the illustrations in this manual may differ from your model.

Pictures of appliances (Fig. 3)



A: Freezer compartment **B: Fridge compartment**

- 1 Ceiling lamp
- 2 Air duct
- 3 Door rack/bottle holder
- 4 Shelf
- 5 Sensor
- 6 Drawer
- 7 Adjustable feet
- 8 Rating plate
- 9 Ceiling lamp
- 10 Egg tray
- 11 Air duct
- 12 Sensor
- 13 Door rack/bottle holder
- 14 Shelf
- 15 OK Sticker
- 16 Drawer
- 17 Water tank



Many occurring problems could be solved by yourself without specific expertise. In case of a problem please check all shown possibilities and follow below instructions before you contact an after sales service. See CUSTOMER SERVICE.

WARNING!

- ▶ Before maintenance, deactivate the appliance and disconnect the mains plug from the mains socket.
- ▶ Electrical equipment should be serviced only by qualified electrical experts, because improper repairs can cause considerable consequential damages.
- ▶ A damaged supply should only be replaced by the manufacturer, its service agent or similarly qualified persons in order to avoid a hazard.

9.1 Troubleshooting table

Problem	Possible Cause	Possible Solution
The compressor does not work.	<ul style="list-style-type: none"> • Mains plug is not connected in the mains socket. • The appliance is in the defrosting cycle. 	<ul style="list-style-type: none"> • Connect the mains plug. • This is normal for an automatic defrosting.
The appliance runs frequently or runs for a too long period of time.	<ul style="list-style-type: none"> • The indoor or outdoor temperature is too high. • The appliance has been off power for a period of time. • A door of the appliance is not tightly closed. • The door has been opened too frequently or for too long. • The temperature setting for the freezer compartment is too low. 	<ul style="list-style-type: none"> • In this case, it is normal for the appliance to run longer. • Normally, it takes 8 to 12 hours for the appliance to cool down completely. • Close the door and ensure the appliance is located on a level ground and there is no food or container jarring the door. • Do not open the door too frequently. • Set the temperature higher until a satisfactory refrigerator temperature is obtained. It takes 24 hours for the refrigerator temperature to become stable.
The inside of the fridge is dirty and/or smells.	<ul style="list-style-type: none"> • The door gasket is dirty, worn, cracked or mismatched. • The required air circulation is not guaranteed. 	<ul style="list-style-type: none"> • Clean the door gasket or replace them by the customer service. • Ensure adequate ventilation.
	<ul style="list-style-type: none"> • The inside of the fridge needs cleaning. • Food of strong odour is stored in the fridge. 	<ul style="list-style-type: none"> • Clean the inside of the fridge. • Wrap the food thoroughly.

8.5 Non-use for a longer period

If the appliance is not used for an extended period of time, and you will not use the Holiday-function for the fridge:

- ▶ Take out the food.
- ▶ Empty and clean the water tank.
- ▶ Unplug the power cord.
- ▶ Clean the appliance as described above.
- ▶ Keep the doors open to prevent the creation of bad odours inside.



Notice: Switch off

Turn the appliance off only if strictly necessary.

8.6 Moving the appliance

1. Remove all food and unplug the appliance.
2. Secure shelves and other moveable parts in the fridge and the freezer with adhesive tape.
3. Do not tilt the appliance more than 45° to avoid damaging the refrigerating system.



WARNING!

- ▶ Do not lift the appliance by its handles.
- ▶ Never place the appliance horizontally on the ground.

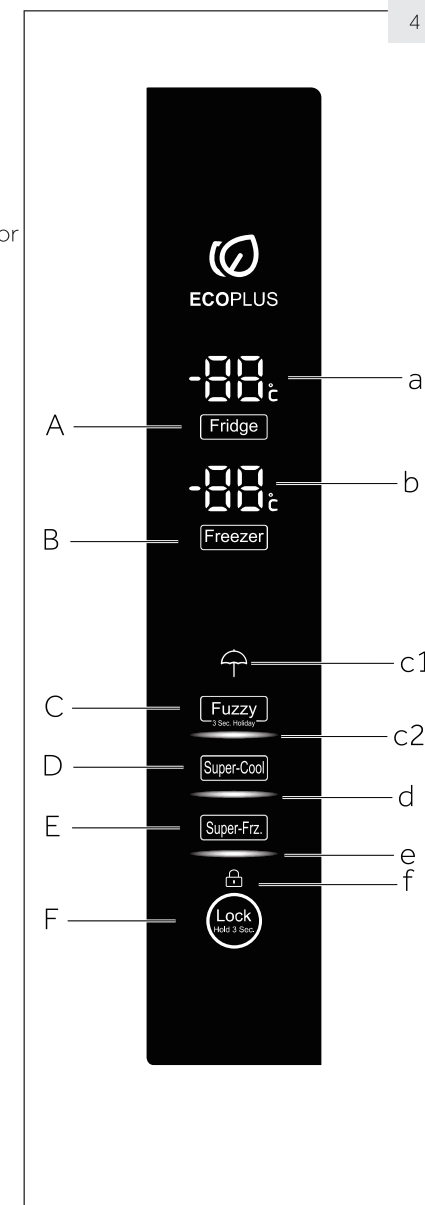
Control panel (Fig. 4)

Keys:

- A Fridge selector
- B Freezer selector
- C "Fuzzy" mode and "Holiday" function selector
- D "Super-Cool" selector
- E "Super-Freeze" selector
- F Panel lock selector

Indicators:

- a Temperature Fridge
- b Temperature Freezer
- c1 "Holiday" function
- c2 "Fuzzy" mode
- d "Super-Cool" function
- e "Super-Freeze" function
- f Panel lock



5.1 Before first use

- ▶ Remove all packaging materials, keep them out of children`s reach and dispose them in an environmentally friendly manner.
- ▶ Clean the inside and outside of the appliance with water and a mild detergent before putting any food in it.
- ▶ After the appliance has been levelled and cleaned, wait for at least 2 hours before connecting it to the power supply. See Section INSTALLATION.
- ▶ Precool the compartments at high settings before loading with food. The function Super Cool and Super Freeze helps to cool down the compartments quickly.
- ▶ The refrigerator temperature and freezer temperature are automatically set to 5° C and -18° C respectively. These are the recommended settings. If desired, you can change these temperatures manually. Please see ADJUST THE TEMPERATURE.

5.2 Sensor keys

The keys on the control panel are sensor keys, which already respond when lightly touched with the finger.

5.3 Switch on /of the appliance

The appliance is in operation as soon as it is connected to the power supply.

When the appliance is powered on for the first time, freezer temperature is shining on the display "b" until the temperature reaches -5°C or after 1 hour working. The temperatures displayed will show the actual temperatures in the compartment.

Maybe the panel lock is active.

Empty the appliance before switching off. To switch off the appliance, pull the power cord out off the power socket.

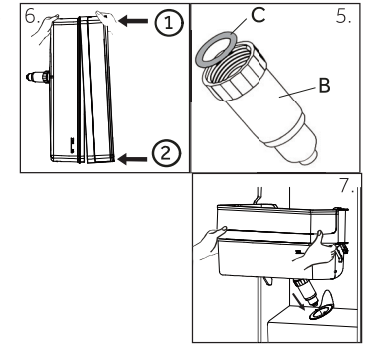
Notice: Presettings

- ▶ The appliance is preset to the recommended temperature of 5°C (refrigerator) and -18°C (freezer). Under normal ambient condition you need not to set a temperature.
- ▶ When the appliance is switched on after disconnection from the main power supply, it may take up to 12 hours for the correct temperatures to be reached.

5.4 Standby-mode

The display screen turns off automatically 30 seconds after touching a key or if one of the doors is open longer than 30 seconds. The display will be automatically locked. It lights up automatically by touching any key or opening one of the doors.

5. Mount the dispenser spout (B) and take care that it is firmly screwed to the water tank and the white O-ring (C) is in position.
6. Press the cover to combine it with one side of the water tank and then the other side, check water tank and cover is assembled completely.
7. Replace the tank inside the appliance. Make sure the dispenser spout is correctly inserted into the hole of the door.



Notice: Water tank

- ▶ If the water tank is not properly inserted, water can drip from the connection.
- ▶ Do not use excessive force when removing or installing the water tank, to avoid damaging the tank.

8.3 Defrosting

The defrosting of the fridge and the freezer compartment are done automatically; no manual operation is needed.

8.4 Replacing the LED-lamps



WARNING!

Do not replace the LED lamp yourself, it must only be replaced by either the manufacturer or the authorised service agent.

The lamps adopts LED as its light source, featuring low energy consumption and long service life. If there is any abnormality, please contact the customer service . See CUSTOMER SERVICE.

Parameters of the lamps: : 12 V max 3 W.

WARNING!

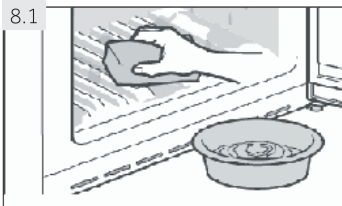
Disconnect the appliance from the power supply before cleaning.

8.1 General

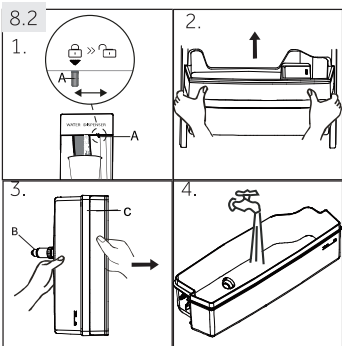
Clean the appliance when only little or no food is stored. The appliance should be cleaned every four weeks for good maintenance and to prevent bad stored food odors.

WARNING!

- ▶ Do not clean the appliance with hard brushes, wire brushes, detergent powder, petrol, amyl acetate, acetone and similar organic solutions, acid or alkaline solutions. Please clean with special fridge detergent to avoid damage.
- ▶ Do not spray or flush the appliance during cleaning.
- ▶ Do not use water spray or steam to clean the appliance.
- ▶ Do not clean the cold glass shelves with hot water. Sudden temperature change may cause the glass to break.
- ▶ Do not touch the inside surface of the freezer storage compartment, especially with wet hands, as your hands may freeze onto the surface.
- ▶ In case of heating check the condition of frozen goods.



- ▶ Always keep the door gasket clean.
- ▶ Clean the inside and housing of the appliance with a sponge dampened in warm water and neutral detergent (Fig. 8.1).
- ▶ Rinse and dry with soft cloth.
- ▶ Do not clean any of the parts of the appliance in a dishwasher.
- ▶ Allow at least 5 minutes before restarting the appliance as frequent starting may damage the compressor.

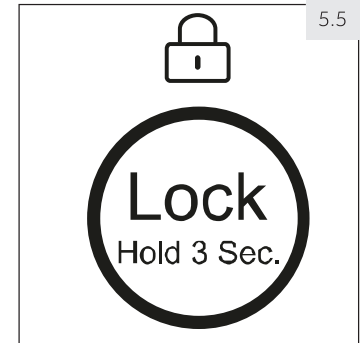
**8.2 Cleaning the water tank** (Fig. 8.2)

1. Slide the lock (A) to position "Lock".
2. Take off the water tank out of the appliance.
3. Remove the cover (C) and unscrew the dispenser spout (B) gently.
4. Clean the water tank and the dispenser spout with warm running water and liquid dishwashing detergent. Make sure all soap is rinsed off.

5.5 Lock/unlock panel**i Notice: Panel lock**

The control panel is automatically blocked against activation if 30 seconds no key is touched. For any settings the control panel must be unlocked.

- ▶ Touch key "F" for 3 seconds to block all panel elements against activation (Fig. 5.5). An acoustic signal sounds.
- ▶ The related indicator "f" is now displayed and the lightening of the panel is switched off. The icon flashes if a key will be touched, when the panel lock is activated. The change is not running.
- ▶ For unlocking touch again the key.

**5.6 Door opening alarm**

When one door is opened for more than 3 minutes, the door opening alarm will sound. The alarm can be silenced by closing the door. If the door is left open for more than 7 minutes, the light inside the compartment will automatically switch off.

5.7 Select the working mode

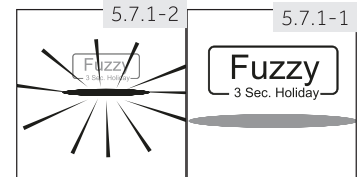
You may need to select one of the following two ways to set the appliance:

5.7.1 Fuzzy mode

If you do not have any special requirements, we recommend that you use fuzzy mode: In the Fuzzy mode, the appliance can automatically adjust the temperature setting according to the ambient temperature and temperature change in the appliance. This function is totally hand free.

1. Unlock the panel by touching key "F" if it is locked (Fig. 5.5).
2. Touch key "C" (Fuzzy) (Fig. 5.7.1-1).
3. Indicator "c2" illuminates and the function is activated (Fig. 5.7.1-2).

By repeating the above steps or selecting an other function this function can be switched off again.



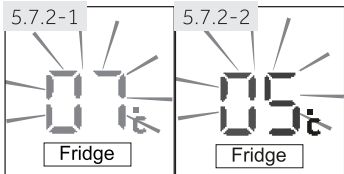
5.7.2 Manual adjusting mode

If you want to manually adjust the temperature of the appliance in order to store a particular food, you can set the temperature via a temperature adjusting key:



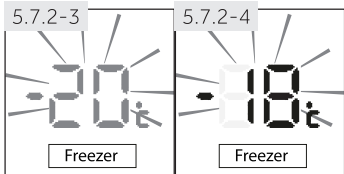
Notice: Conflict with other functions

The temperature cannot be adjusted, if any other function (Super Cool, Super Freeze, Holiday or Fuzzy) is activated or the display is locked. The corresponding indicator will flash accompanying with a buzzer.



5.7.2.1 Adjust the temperature for fridge

1. Unlock the panel by touching key "F" if it is locked (Fig. 5.5).
2. Touch key "A" (Fridge) to select the fridge compartment. The actual temperature in the fridge compartment is displayed (Fig. 5.7.2-1).
3. Touch sequentially key "A" (Fridge) until the desired value of temperature is flashing (Fig. 5.7.2-2). A signal will sound at each key touch. The temperature increases in sequences of 1°C from a minimum of 1°C to a maximum of 9°C. The optimum temperature in the fridge is 5 °C. Colder temperatures mean unnecessary energy consumption.
4. Touch any key except „A" (Fridge) to confirm, or the setting confirms automatically after 5 seconds. Displayed temperature stops flashing.



5.7.2.2 Adjust the temperature for freezer

1. Unlock the panel by touching key "F" if it is locked (Fig. 5.5).
2. Touch key "B" (Freezer) to select the freezer compartment. The actual temperature in the freezer compartment is displayed (Fig. 5.7.2-3).
3. Touch sequentially key "B" (Freezer) until the desired value of temperature is flashing (Fig. 5.7.2-4). A signal will sound at each key press. The temperature increases in sequences of 1°C from -14°C to -24°C. The optimum temperature in the freezer is -18°C. Colder temperatures mean unnecessary energy consumption.
4. Touch any key except „B" (Freezer) to confirm, or the setting confirms automatically after 5 seconds. Displayed temperature stops flashing.



Notice: Influences on temperatures

The indoor temperatures are influenced by the following factors:

- ▶ Ambient temperature
- ▶ Amount of stored foods
- ▶ Frequency of door opening
- ▶ Installation of the appliance

7.4 Bottle holder- freezer compartment

The bottle holders of the freezer compartment are intended for temporary storage of spirits with a high alcohol content. Beverage without high alcohol should be cooled in the fridge.

Additionally you can store small parts in the bottle holders.



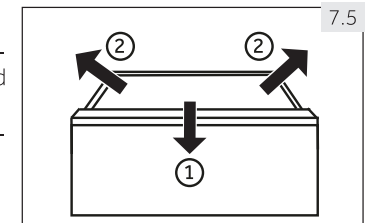
WARNING!

Bottles and cans may burst! Set a timer that will remind you to remove bottles/cans without high alcohol content.

7.5 Removable drawer

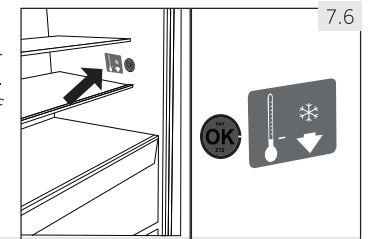
To remove the drawer out of the fridge or freezer compartment pull out to the maximum extent (1), lift and remove (2) (Fig. 7.5).

In order to insert the drawer, the above steps are carried out in reverse order.



7.6 OPTIONAL: OK-temperature indicator

The OK-temperature indicator (Fig. 7.6) at the inner wall of the fridge, can be used to determine temperatures below +4°C. Gradually reduce the temperature if the sign does not indicate "OK".

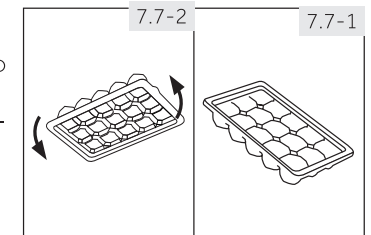


Notice: OK-sticker

When the appliance is switched on, it may take up to 12 hours for the correct temperatures to be reached.

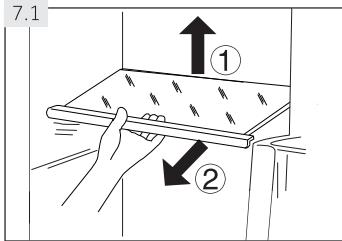
7.7 Ice cube tray

1. Fill the ice cube tray 3/4 full of water and put it into one of the freezer storage drawer (Fig. 7.7-1).
2. Twist the ice cube tray slightly or hold it under flowing water to loosen the ice cubes (Fig. 7.7-2).



7.8 The Light

The LED interior light comes on when the door is opened. The performance of the lights is not affected by any of the appliances other settings.



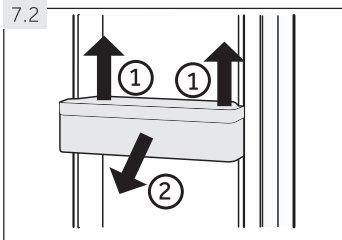
7.1 Adjustable shelves

The height of the shelves can be adjusted to fit your storage needs.

1. To relocate a shelf, remove it first by uplifting its hind edge (1) and pulling it out (2) (Fig. 7.1).
2. To reinstall it, put it on the lugs on both sides and push it to the most rearward position until the rear of the shelf is fixed inside the slots in the sides

i Notice: Shelves

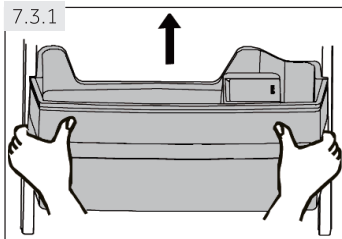
Ensure that all ends of a shelf are level.



7.2 Removable door racks/bottle holder

The door racks/bottle holder can be removed for cleaning:

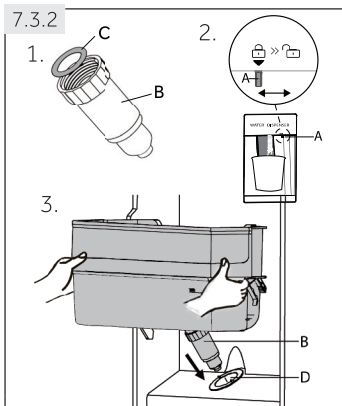
1. Place hands on each side of the rack/holder and lift it upwards (1) (Fig. 7.2).
2. Pull the door rack/bottle holder out (2).
3. In order to insert the door rack/bottle holder, the above steps are carried out in reverse order.



7.3 Water tank

7.3.1 Remove water tank

The water tank can be removed and reinstalled for cleaning in the same way as the door racks (Fig. 7.3.1).



7.3.2 Insert water tank

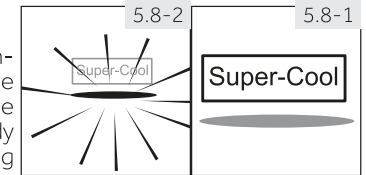
1. Make sure the dispenser spout (B) is firmly screwed to the water tank and the white O-ring (C) is in position (Fig. 7.3.2-1.).
2. Slide the lock (A) to position "Lock" (Fig. 7.3.2-2.)
3. Place the water tank in the position that the dispenser spout (B) fits into the opening of the door (D) (Fig. 7.3.2-3.).

i Notice: Water tank

- ▶ If the water tank is not properly inserted, water can drip from the connection.
- ▶ Do not use excessive force when removing or installing the water tank, to avoid damaging the tank.

5.8 Super-Cool function

Switch on the Super-Cool function if larger quantity of food should be stored (for example after the purchase). The Super-Cool function accelerates the cooling of fresh food and protects the goods already stored from undesirable warming. The factory setting temperature is 0 to +1°C.



1. Unlock the panel by touching key "F" if it is locked (Fig. 5.5).
2. Touch key "D" (Super-Cool) (Fig. 5.8.-1).
3. Indicator "d" illuminates and the function is activated (Fig. 5.8.-2).

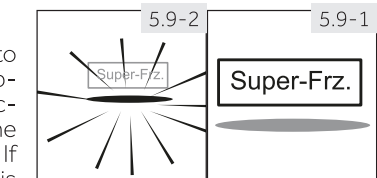
By repeating the above steps or selecting an other function this function can be switched off again.

i Notice: Automatically switch off

This function will be automatically disabled after 3 hours.

5.9 Super-Freeze function

Fresh food should be frozen as quickly as possible to the core. This preserved the best nutritional value, appearance and taste. The Super-Freeze function accelerates the freezing of fresh food and protects the goods already stored from undesirable warming. If you need to freeze a large amount of food once, it is recommended to set the Super-Freeze function on ahead for 24h before the usage of frozen room. The factory setting temperature is -24 °C.



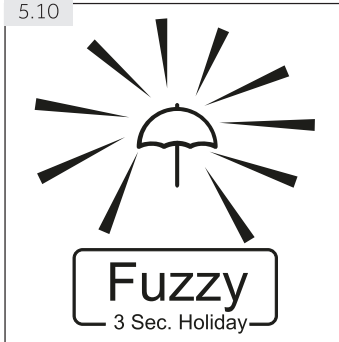
1. Unlock the panel by touching key "F" if it is locked (Fig. 5.5).
2. Touch key "E" (Super-Freeze) (Fig. 5.9.-1).
3. Indicator "e" illuminates and the function is activated (Fig. 5.9.-2).

By repeating the above steps or selecting an other function this function can be switched off again.

i Notice: Automatically switch off

The Super-Freeze function will automatically switch off after 50 hours. The appliance is then operated at the previously set temperature.

5.10



5.10 Holiday function

This function sets the fridge temperature permanently to 17°C.

This allows to keep the door of the empty fridge closed without causing an odour or mold - during a long absence (e.g. during holiday). The freezer compartment is free for your setting.

1. Unlock the panel by touching key "F" if it is locked (Fig. 5.5).
2. Touch key "C" (Fuzzy) for 3 seconds (Fig. 5.10). Indicator "c1" illuminates and the function is activated.

By repeating the above steps or selecting another function this function can be switched off again.



WARNING!

During the holiday function no goods must be stored in the fridge compartment. The temperature of + 17 °C is too high for storing food.

5.11 Water dispenser

With the water dispenser cool drinking water can be tapped. The water tank should be cleaned before first use (see CARE AND CLEANING).

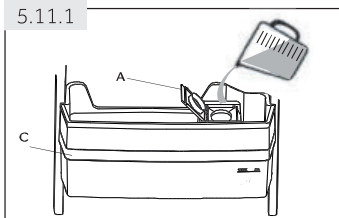
5.11.1 Filling the water tank



WARNING!

Use drinking water only.

5.11.1



1. Ensure that the water tank is properly inserted (see EQUIPMENT)
2. Open the cap (A) and pour fresh drinking water into the water tank (Fig. 5.11.1).
3. Fill water only up to the mark (2.5 l); as it could overflow when the door opens and closes.
4. Close the cap (A) completely.



Notice: Water dispenser

- ▶ Before refilling dispose residual water and clean the water tank.
- ▶ When you don't need water for a long time, please empty the water tank and insert the cleaned tank.
- ▶ The cover (C) on the water tank (Fig. 5.11.1) is additionally used to save energy. If you do not want to get water from the water dispenser for a long period, please still install the cover because of better insulating and saving energy.



Energy saving tips

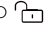

- ▶ Make sure the appliance is properly ventilated (see INSTALLATION).
- ▶ Do not install the appliance in direct sunlight or in the near of heat sources (e.g. stoves, heaters).
- ▶ Avoid unnecessarily low temperature in the appliance. The energy consumption increases the lower the temperature in the appliance is set.
- ▶ Functions like Super-Cool or Super-Freeze consume more energy.
- ▶ Allow warm food to cool down before placing it in the appliance.
- ▶ Open the appliance door as little and as briefly as possible.
- ▶ Do not overfill the appliance to avoid obstructing the air flow.
- ▶ Avoid air within the food packaging.
- ▶ Keep door seals clean so that the door always closes correctly.
- ▶ Defreeze frozen food in the fridge storage compartment.

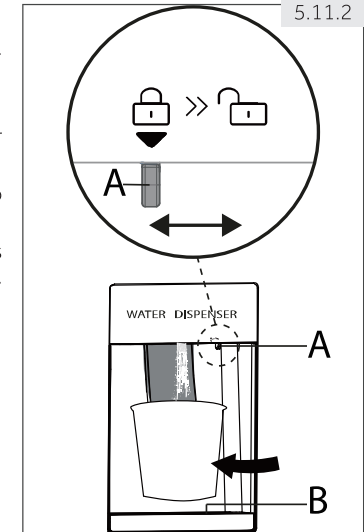
- ▶ Consume defrosted food quickly. Defrosted food cannot be re-frozen unless it is first cooked, otherwise it may be less edible.
- ▶ Do not load excessive quantities of fresh food in the freezer compartment. Refer to the freezing capacity of the freezer – See TECHNICAL DATA or data at the type plate.
- ▶ Food can be stored in the freezer at a temperature of at least -18°C for 2 to 12 months, depending on its properties (e.g., meat: 3-12 months, vegetables: 6-12 months)
- ▶ When freezing fresh food, avoid bringing it in contact with already frozen food. Risk of thawing!
- ▶ Defreeze frozen food in the fridge. This way, you can use the frozen food to decrease the temperature in the compartment and save energy.

5.12.3 When storing commercially frozen foods, please follow these guidelines:

- ▶ Always follow manufacturers' guidelines for the length of time you should store food for. Do not exceed these guidelines!
- ▶ Try to keep the length of time between purchase and storage as short as possible to preserve food quality.
- ▶ Buy frozen foods, which have been stored at a temperature of -18°C or below.
- ▶ Avoid buying food which has ice or frost on the packaging – This indicates that the products might have been partially defrosted and refrozen at some point – temperature rises affect the quality of food.

5.11.2 Getting water from the dispenser

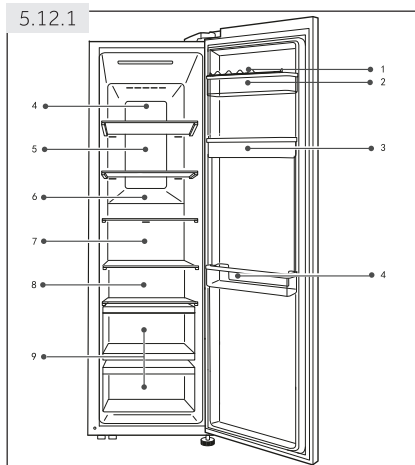
1. Ensure the lock (A) is moved to  "Unlock" (Fig. 5.11.2).
2. Place a glass underneath the water outlet.
3. Push it gently against the water dispenser lever with your glass.
Make sure the glass is in line with the dispenser to prevent the water from splashing out.
4. Water in the tray (B) should be removed in time, as it could overflow when the door opens and closes.
5. Slide the lock (A) to position  "Lock"



5.12 Tips on storing fresh food

5.12.1 Storing into the fridge compartment

- ▶ Keep your fridge temperature below 5°C.
- ▶ Hot food must be cooled to room temperature before storing in the appliance.
- ▶ Foods stored in the fridge should be washed and dried before storing
- ▶ Food to be stored should be properly sealed to avoid odour or taste alterations.
- ▶ Do not store excessive quantities of food. Leave spaces between foods to allow cold air flowing around them, for a better and more homogeneous cooling.
- ▶ Foods eaten daily should be stored at the front of the shelf.
- ▶ Leave a gap between foods and the inner walls, allowing air flowing. In special way don't store foods against the rear wall: foods could freeze against rear wall. Avoid direct contact of food (especially oily or acidic food) with the inner liner, as oil/acid can erode the inner liner. Clean away oily/acid dirt whenever it is found.
- ▶ Defreeze frozen food in the fridge storage compartment. This way, you can use the frozen food to decrease the temperature in the compartment and save energy.
- ▶ The ageing process of fruit and vegetables such as courgettes, melons, papaya, banana, pineapple, etc. can be accelerated in the fridge. Therefore, it is not advisable to store them in the fridge. However, the ripening of strongly green fruits can be promoted for a certain period. Onions, garlic, ginger and other root vegetables should also be stored at room temperature.
- ▶ Unpleasant odours inside the fridge are a sign that something has spilled and cleaning is required. See CARE AND CLEANING.
- ▶ Different foods should be placed in different areas according to their properties (Fig. 5.12.1):

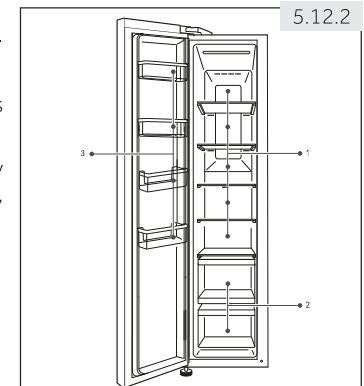


- 1 Eggs
- 2 Butter, cheese, etc.
- 3 Cans, canned food, spices, etc.
- 4 Drinks and bottled foods.
- 5 Pickled foods, canned food, etc.
- 6 Meat products, snack foods, etc.
- 7 Pasta, canned food, milk, tofu, dairy etc.
- 8 Cooked meat, sausages, etc.
- 9 Cooked meat, sausages, etc.
- 10 Fruits, vegetables, salad, etc

5.12.2 Storage into the freezer compartment

- ▶ Keep the freezer temperature at -18°C.
- ▶ 24 hours before freezing switch on the Super-Freeze function; -for small quantities of food 4-6 hours are sufficient.
- ▶ Hot food must be cooled to room temperature before storing in the freezer compartment.
- ▶ Food cut into small portions will freeze faster and be easier to defrost and cook. The recommended weight for each portion is less than 2.5 kg
- ▶ It is better to pack food before putting it into the freezer. The outside of the packaging must be dry to avoid bags sticking together. Packaging materials should be odour-free, airtight, non-poisonous and nontoxic.
- ▶ In order to avoid expiration of storage periods, please note the freezing date, time limit and name of the food on the packaging according to the storage periods of different foods.
- ▶ **WARNING!** Acid, alkali and salt etc. could erode the internal surface of the freezer. Do not place the food having these substances (e.g. sea fish) directly on the internal surface. Salt water in the freezer should be cleaned up immediately.
- ▶ Do not exceed the food storage times recommended by the manufacturers. Only take the required amount of food out of the freezer.
- ▶ Different foods should be placed in different areas according to their properties (Fig. 5.12.2):

- 1 Less weighty items, such as ice cream, vegetables, bread etc.
- 2 Large/heavier portions of food, such as meats joints for roasting
- 3 Beverage without high alcohol and temporary storage of spirits with a high alcohol content, small parts like Pizza or herbs.



i Notice: Storage

- ▶ Please keep the distance more than 10 mm between the food placed and the sensor to ensure the cooling effect.
- ▶ Please keep the lowest drawer when the appliance working in order to ensure the cooling effect.
- ▶ The food with ice (like ice cream etc.) should be stored inside the freezer compartment instead of on the bottle holder, for the temperature changes at bottle holder caused by door opening and closing may thaw the food.