

SIEMENS



Fridge-freezer

KA..N..

siemens-home.bsh-group.com/welcome

en Installation instructions and instructions for use

Register
your
product
online

Table of contents

Safety instructions	3	Ice maker	13
About these instructions	3	Ice-making process	13
Risk of explosion	3	Refrigerator compartment	14
Risk of electric shock	3	Storing food	14
Risk of cold burns	3	Note the chill zones in the refrigerator compartment	14
Risk of injury	3	Fruit and vegetables crisper	14
Avoiding placing children and vulnerable people at risk	4	Super cooling	14
Damage	4	Switching on super cooling	14
Weight	4	Switching off super cooling	14
Information concerning disposal	4	Variable interior design	15
Disposal of packaging	4	Holiday mode	15
Disposal of your old appliance	4	Switching on holiday mode	15
Scope of delivery	5	Switching off holiday mode	15
Installing the appliance	5	Switching off and disconnecting the appliance ..	15
Transporting	5	Switching off the appliance	15
Removing the appliance doors	5	Disconnecting the appliance	15
Installation location	5	Defrosting	16
Subsurface	5	Freezer compartment	16
Observe ambient temperature and ventilation	6	Refrigerator compartment	16
Installation dimensions and door opening angle ..	6	Cleaning the appliance	16
Fixing the handle	6	Procedure	16
Aligning the appliance	7	Interior fittings	16
Connecting the appliance	7	Defrosting	16
Electrical connection	7	Light (LED)	17
Getting to know your appliance	8	Tips for saving energy	17
Control and display panel	9	Operating noises	17
Switching on the appliance	10	Quite normal noises	17
Unlocking / locking buttons	10	Preventing noises	17
Unlocking the buttons	10	Eliminating minor faults yourself	18
Locking the buttons	10	Customer service	19
Setting the temperature	10	Repair order and advice on faults	19
Freezer compartment	10		
Refrigerator compartment	10		
Alarm	10		
Door alarm	10		
Usable capacity	10		
Freezer compartment	11		
Purchasing frozen food	11		
Drawers	11		
Fully utilising the freezer volume	11		
Max. freezing capacity	11		
Freezing fresh food	11		
Packing frozen food	11		
Shelf life of frozen food	12		
Freezer calendar	12		
Super freezing	12		
Switching on super freezing	12		
Switching off super freezing	12		
Thawing frozen food	13		

Safety instructions

This appliance complies with the relevant safety regulations for electrical appliances and is fitted with noise suppression.

The refrigeration circuit has been checked for leaks.

About these instructions

- Read and follow the Installation instructions and instructions for use. They contain important information on how to install, use and maintain the appliance.
- The manufacturer is not liable if you disregard the instructions and warnings in the Installation instructions and instructions for use.
- Retain all documents for subsequent use or for the next owner.

Risk of explosion

- Never use electric appliances inside the appliance (e.g. heaters or electric ice makers).
- Do not store products which contain flammable propellant (e.g. spray cans) or explosive substances in the appliance.
- Store high-percentage alcohol tightly sealed and in an upright position.
- Do not use additional means to accelerate the defrosting process other than those recommended by the manufacturer.

Risk of electric shock

Improper installations and repairs may put the user at considerable risk.

- When installing the appliance, ensure that the mains cable is not trapped or damaged.
- If the mains cable is damaged: immediately disconnect the appliance from the electricity supply.
- Do not use multiple sockets, extension leads or adapters.

- Have the appliance repaired by the manufacturer, Customer service or a similarly qualified person only.
- Use original parts supplied by the manufacturer only.
The manufacturer guarantees that these parts satisfy the safety requirements.

Risk of cold burns

- Never put frozen food straight from the freezer compartment into your mouth.
- Avoid prolonged contact of skin with frozen food, ice and the tubes in the freezer compartment.

Risk of injury

Containers which contain carbonated drinks may burst. Do not store containers which contain carbonated drinks in the freezer compartment.

Fire hazard / Danger due to refrigerants

The tubes of the refrigeration circuit convey a small quantity of an environmentally friendly but flammable refrigerant (R600a). It does not damage the ozone layer and does not contribute to the greenhouse effect. If refrigerant escapes, it may injure your eyes or ignite.

- Do not damage the tubes.

If the tubes are damaged:

- Keep naked flames and ignition sources away from the appliance.
- Ventilate the room.
- Switch off the appliance and pull out the mains plug.
- Please contact Customer service.

Fire hazard

Portable multiple outlets or power supplies may overheat, causing a fire.

Never leave portable multiple outlets or portable power supplies behind the appliance.

Avoiding placing children and vulnerable people at risk

At risk are:

- Children,
- People who have limited physical, mental or sensory abilities,
- People who have inadequate knowledge concerning safe operation of the appliance.

Measures:

- Ensure that children and vulnerable people have understood the hazards.
- Children or vulnerable people must be supervised by a responsible person when using the appliance.
- Only children from 8 years and above may use the appliance.
- Supervise children while the appliance is being cleaned or maintained.
- Never allow children to play with the appliance.

Risk of suffocation

- Keep children away from the packaging and its parts.

Damage

To prevent damage:

- Do not stand or support yourself on the base, runners or doors.
- Keep plastic parts and door seals free of oil and grease.
- Pull the mains plug - not the power cord.

Weight

The appliance is very heavy. The appliance should always be transported and set up by at least 2 persons.

Information concerning disposal

Disposal of packaging

The packaging protects your appliance from damage during transit. All utilised materials are environmentally safe and recyclable. Please help us by disposing of the packaging in an environmentally friendly manner.

Please ask your dealer or inquire at your local authority about current means of disposal.

Disposal of your old appliance

Old appliances are not worthless rubbish! Valuable raw materials can be reclaimed by recycling old appliances.



This appliance is labelled in accordance with European Directive 2012/19/EU concerning used electrical and electronic appliances (waste electrical and electronic equipment - WEEE). The guideline determines the framework for the return and recycling of used appliances as applicable throughout the EU.

Warning

Redundant appliances

1. Pull out the mains plug.
2. Cut off the power cord and discard with the mains plug.
3. Do not take out the trays and receptacles: children are therefore prevented from climbing in!
4. Do not allow children to play with the appliance once it has spent its useful life. Danger of suffocation!

Refrigerators contain refrigerant and gases in the insulation. Refrigerant and gases must be disposed of professionally. Ensure that tubing of the refrigerant circuit is not damaged prior to proper disposal.

Scope of delivery

After unpacking all parts, check for any damage in transit. If you have any complaints, please contact the dealer from whom you purchased the appliance or our Customer service.

The delivery consists of the following parts:

- Free-standing appliance
- Bag containing installation materials
- Interior fittings (depending on model)
- Operating instructions
- Customer service booklet
- Warranty enclosure
- Information on the energy consumption and noises

Installing the appliance

Transporting

The appliance is heavy. Secure in position during transportation and installation.

Due to the weight/dimensions of the appliance and to minimise the risk of injury and damage to the appliance at least two persons are necessary to set-up the appliance safely.

Removing the appliance doors

If the appliance will not fit through the house door, the appliance doors can be unscrewed.

Caution!

Only Customer service may unscrew the appliance doors.

Installation location

Install the appliance in a dry, well ventilated room. The installation location should neither be exposed to direct sunlight nor near a heat source, e.g. a cooker, radiator, etc. If installation next to a heat source is unavoidable, use a suitable insulating plate or observe the following minimum distances to a heat source:

- 3 cm to electric or gas cookers.
- 30 cm to an oil or coal-fired cooker.

If installing the appliance next to another refrigerator or freezer, ensure a minimum lateral distance of 25 mm to prevent the formation of condensation.

If a panel or cupboard is installed above the appliance, ensure that a gap of 30 mm is left so that the appliance can be pulled out of the recess if required.

The air heated on the rear side of the appliance must be allowed to escape unhindered.

Subsurface

Caution!

The appliance is very heavy.

The floor of the installation location must not give way; if required, reinforce floor.

To ensure that the doors can open all the way, observe lateral minimum distances when installing the appliance in a corner or recess (→ *chapter "Installation dimensions"*).

If the depth of the adjacent kitchen equipment is more than 60 cm, observe lateral minimum distances in order to utilise the full door opening angle (→ *chapter "Door opening angle"*).

Observe ambient temperature and ventilation

Ambient temperature

The climate class can be found on the rating plate. The climate class indicates within which ambient temperatures the appliance can be operated. The rating plate is located in the refrigerator compartment at the right side.

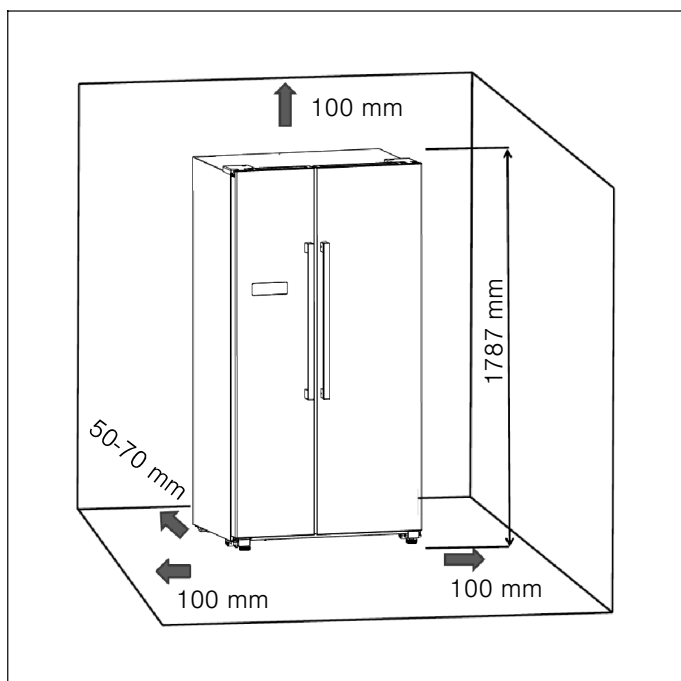
Climate class	Permitted ambient temperature
SN	+10 °C to 32 °C
N	+16 °C to 32 °C
ST	+16 °C to 38 °C
T	+16 °C to 43 °C

Note:

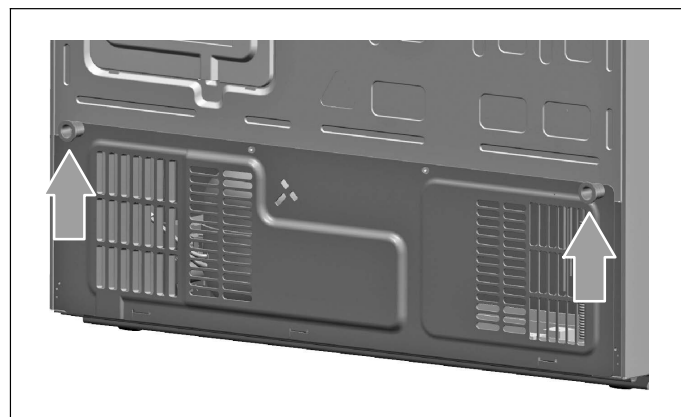
The appliance is fully functional within the room temperature limits of the indicated climatic class. If an appliance of climatic class SN is operated at colder room temperatures, the appliance will not be damaged up to a temperature of +5 °C.

Ventilation

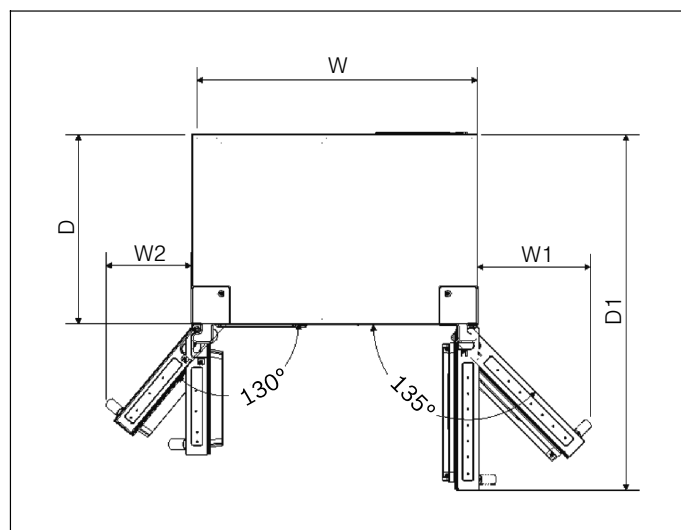
In order to improve efficiency of the cooling system and save energy, it is necessary to maintain good ventilation around the appliance for the dissipation of heat. For this reason, sufficient clear space should be available around the refrigerator. Suggest: It is advisable for there to be 50-70 mm of space from the back to the wall, at least 100 mm from its top, at least 100 mm from its side to the wall and a clear space upfront to allow the doors to open 135°.



Fit the enclosed spacers to the back of the appliance. This ensures that there is a minimum distance between the appliance and the wall.



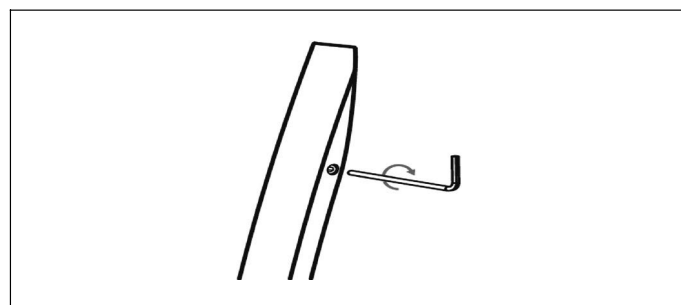
Installation dimensions and door opening angle



W	W1	W2	D	D1
908 mm	417.5 mm	277 mm	600 mm	1142.5 mm

Fixing the handle

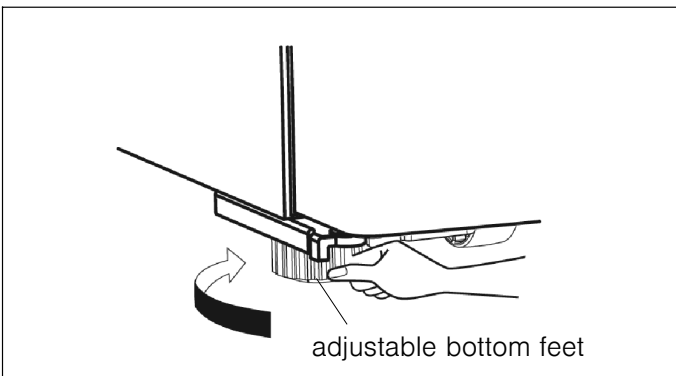
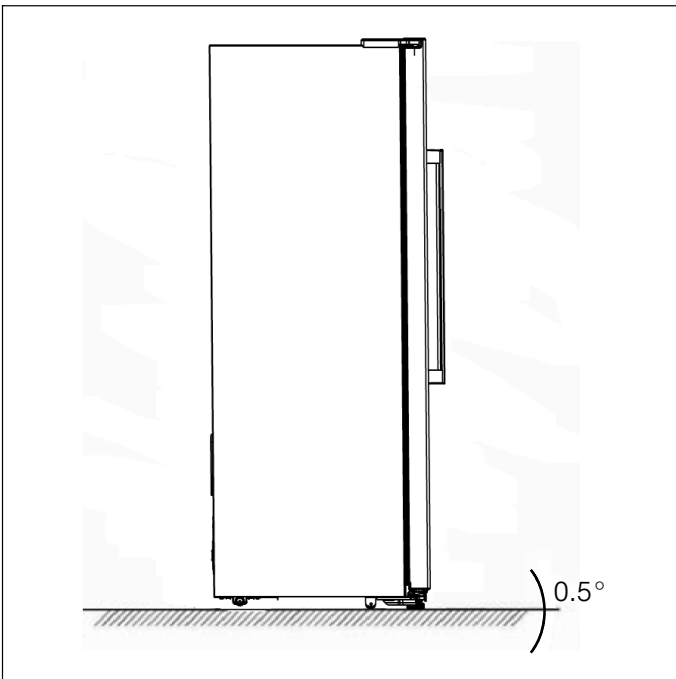
Before you use the product, please check the handle of the refrigerator. If the handle is loose, you should fix it with the hexangular screwdriver in the clockwise direction, then it can be used normally.



Aligning the appliance

To ensure that the appliance functions correctly, it must be set level with a spirit level.

- For sufficient leveling and air circulating in the lower rear section of the appliance, the bottom feet may need to be adjusted.
- To allow the doors to self-close, tilt back the top backwards at about 15 mm or 0.5° by turning the adjustable feet.
- Whenever you want to move the appliance, remember to turn the feet back up, so that the appliance can roll freely.
- The rollers, which are not castors, should be only used for forward or backward movement. Moving the refrigerator sideways may damage your floor and the rollers.
- Reinstall the appliance when relocating.



Connecting the appliance

Have a technician install and connect the appliance according to the enclosed installation instructions.

Do not remove the transportation protection devices from the shelves and storage compartments until the appliance has been installed.

Apart from statutory national regulations, you should stick to the connection terms relating to the local electricity company.

After installing the appliance, wait at least 1 hour until the appliance starts up. During transportation the oil in the compressor may have flowed into the refrigeration system.

Before switching on the appliance for the first time, clean the interior of the appliance (→ chapter "Cleaning the appliance").

Electrical connection

⚠ Warning - Risk of electric shock!

If the length of the mains cable is inadequate, never use multiple sockets or extension leads. Instead, please contact Customer service for alternatives.

The appliance must be connected to a permanently installed socket.

The socket must be near the appliance and also freely accessible following installation of the appliance.

The appliance complies with protection class I. Connect the appliance to 220-240 V / 50 Hz alternating current via a correctly installed socket with protective conductor. The socket must be protected by a 10 A to 16 A fuse or higher.

For appliances operated in non-European countries, check whether the indicated voltage and current type match the values of your electricity supply. The rating plate is situated in the bottom right-hand side of the appliance. The mains cable may be replaced by a technician only.

⚠ Warning

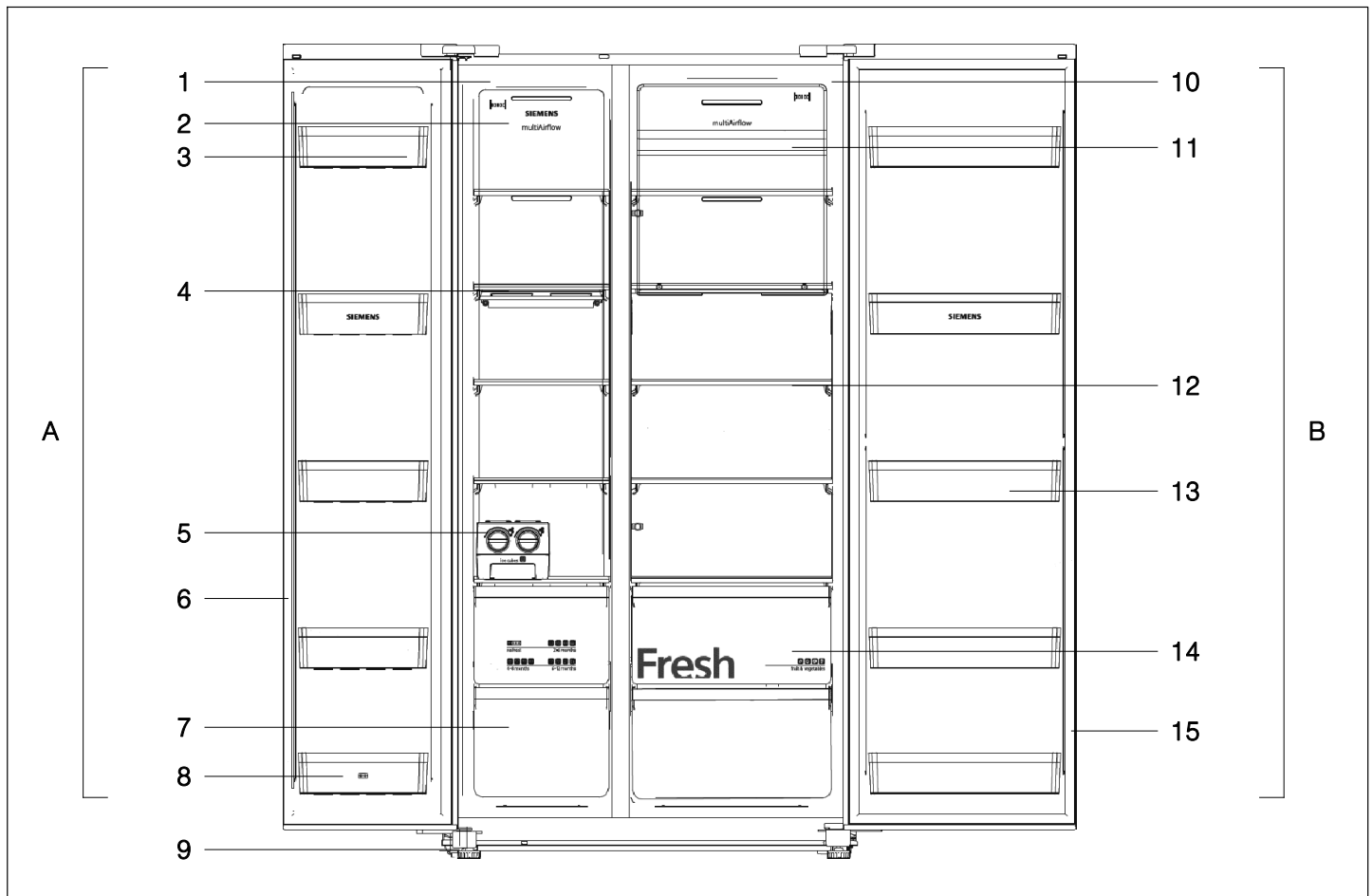
Never connect the appliance to electronic energy saver plugs.

Our appliances can be used with mains and sine-controlled inverters. Mains-controlled inverters are used for photovoltaic systems which are connected directly to the national grid. Sine-controlled inverters must be used for isolated applications (e.g. on ships or in mountain lodges) which are not connected directly to the national grid.

Getting to know your appliance

Note:

Due to unceasing modification of our products your appliance may be slightly different from this Instruction manual but its functions and using methods remain the same.



A Freezer compartment

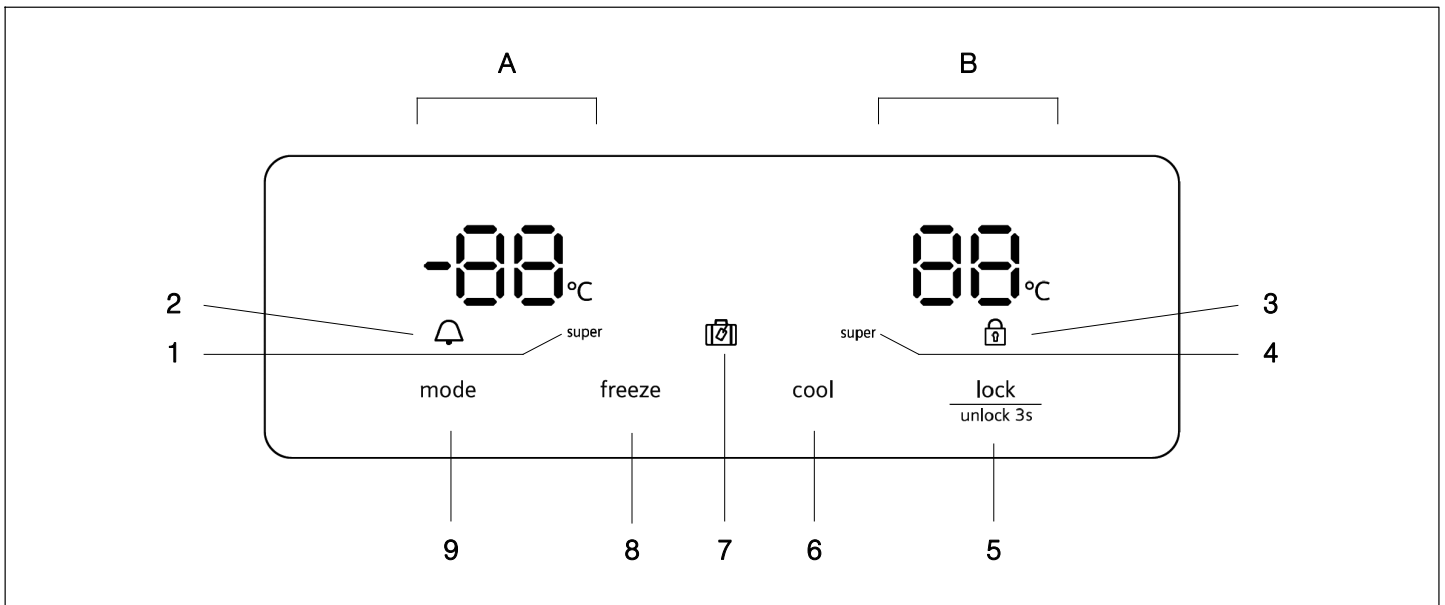
- 1 Freezer LED Light
- 2 Wind channel cover in freezer
- 3 Freezer door rack
- 4 Freezer shelf
- 5 Movable ice maker (optional)
- 6 Freezer door gasket
- 7 Freezer drawer
- 8 Freezer door rack (two-star zone)
- 9 Adjustable feet

B Refrigerator compartment

- 10 Fridge LED light
- 11 Wind channel cover in fridge
- 12 Fridge shelf
- 13 Fridge door rack
- 14 Fruit and vegetables crisper
- 15 Fridge door gasket

Control and display panel

The control and display panel on the door consists of 2 display areas showing temperatures, 5 displays for different modes and 4 control buttons.



- | | |
|---|--|
| <p>A Freezer compartment display area</p> <p>B Refrigerator compartment display area</p> <p>1 Display “super freezing”
Illuminated, when “super freezing” function is active.</p> <p>2 Display “alarm”
Illuminated in case of an alarm.</p> <p>3 Display “lock”
Illuminated, when buttons are locked.</p> <p>4 Display “super cooling”
Illuminated, when “super cooling” function is active.</p> <p>5 Button “lock / unlock 3s”
When buttons are locked, you may unlock them by pressing this button for 3 seconds.
When buttons are unlocked, you may lock them by pressing this button for 3 seconds.</p> | <p>6 Button “cool”
To change temperature of refrigerator.</p> <p>7 Display “holiday”
Illuminated, when “holiday” function is active.</p> <p>8 Button “freeze”
To change temperature of freezer.</p> <p>9 Button “mode”
To activate “super freezing”, “super cooling” or “holiday” function.
To deactivate an active function, press “cool” or “freeze” button.</p> |
|---|--|

Switching on the appliance


When the appliance is powered on for the first time, the backlighting of the displays on the display panel starts working. If no buttons have been pressed and the doors are closed, the backlighting will turn off after 60 seconds.

The preset temperatures are reached after several hours. Do not put any food in the appliance beforehand.


The factory has recommended the following temperatures:

- Freezer compartment: -18 °C
- Refrigerator compartment: +4 °C


Unlocking / locking buttons

If the display  is illuminated, all the buttons are locked.

Unlocking the buttons

Press the “lock / unlock 3s” button for 3 seconds to unlock the buttons. Display  goes out.

Locking the buttons

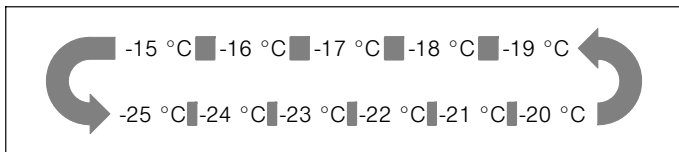
Press the “lock / unlock 3s” button for 3 seconds to lock all the buttons. Display  will be illuminated.

Setting the temperature

Freezer compartment

The freezer compartment can be set from -15 °C to -25 °C. We recommend a setting of -18 °C.

After unlocked, the freezer temperature setting is activated. Press “freeze” button to set freezer temperature between -15 °C and -25 °C as needed. The control panel will display the corresponding value according to the following sequence.

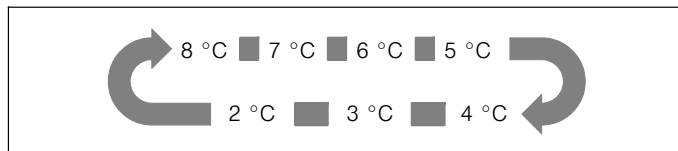


Refrigerator compartment

The refrigerator compartment can be set from +2 °C to +8 °C. We recommend a setting of +4 °C.

Perishable food should not be stored above +4 °C.

After unlocked, the fridge temperature setting is activated. Press “cool” button to set fridge temperature between 8 °C and 2 °C as needed. The control panel will display the corresponding value according to the following sequence.



Alarm

In case of alarm, display  will be on and there will be a buzzing sound.

Door alarm

If the door of the fridge or freezer is open for longer than 2 minutes, the door alarm switches on. In case of door alarm, the buzzer will sound 3 times every 1 minute and will automatically stop alarming 10 minutes later.

To save energy, please avoid keeping the door open for a long time when using the appliance.

The door alarm can be cleared by closing the door.

Usable capacity

Information on the usable capacity can be found inside your appliance on the rating plate (→ chapter “Customer service”).

Freezer compartment

Use the freezer compartment

- to store deep-frozen food,
- to make ice cubes,
- to freeze food.

Caution!

Ensure that bottles are not left in the freezer for longer than needed as freezing may cause the bottle to break.

Note:

Ensure that the freezer compartment door has been closed properly. If the door is open, the frozen food will thaw. The freezer compartment will become covered in thick ice. Also: waste of energy due to high power consumption!

When the freezer compartment door is closed, a low pressure occurs, causing a sucking noise. Wait two to three minutes until the low pressure has adjusted itself.

Purchasing frozen food

- Packaging must not be damaged.
- Use by the “use by” date.
- Temperature in the supermarket freezer must be -18 °C or lower.
- If possible, transport deep-frozen food in an insulated bag and place quickly in the freezer compartment.

Drawers

The drawers, mounted on telescopic extension slides, can be used to store large quantities of frozen food.

When you remove the drawer pull it forwards and lift off the sliders. Remember to remove all food first.

Once you have removed the drawer, ensure the slides are pushed back fully.

Fully utilising the freezer volume

To place the maximum amount of food in the freezer, the top frozen food container can be taken out of the appliance. The food can then be placed directly on the shelves and stacked in the lower frozen food container.

Max. freezing capacity

Information about the max. freezing capacity within 24 hours can be found on the rating plate (→ *chapter “Customer service”*).

Freezing fresh food

Freeze fresh and undamaged food only.

To retain the best possible nutritional value, flavour and colour, vegetables should be blanched before freezing. Aubergines, peppers, zucchini and asparagus do not require blanching.

Literature on freezing and blanching can be found in bookshops.

Note:

Keep food which is to be frozen away from food which is already frozen.

- The following foods are suitable for freezing:
 - Cakes and pastries, fish and seafood, meat, game, poultry, vegetables, fruit, herbs, eggs without shells, dairy products such as cheese, butter and quark, ready meals and leftovers such as soups, stews, cooked meat and fish, potato dishes, soufflés and desserts.
- The following foods are not suitable for freezing:
 - Types of vegetables, which are usually consumed raw, such as lettuce or radishes, eggs in shells, grapes, whole apples, pears and peaches, hard-boiled eggs, yoghurt, soured milk, sour cream, crème fraîche and mayonnaise.

Packing frozen food

To prevent food from losing its flavour or drying out, place in airtight containers.

1. Place food in packaging.
2. Remove air.
3. Seal the wrapping.
4. Label packaging with contents and date of freezing.

Suitable packaging:

Cling wrap, tubular film made of polyethylene, aluminium foil, freezer containers.

These products are available from specialist outlets.

Unsuitable packaging:

Wrapping paper, greaseproof paper, cellophane, bin liners and used shopping bags.

Items suitable for sealing packaged food:

Rubber bands, plastic clips, string, cold-resistant adhesive tape, etc.

Bags and tubular film made of polyethylene (PE) can be sealed with a film heat sealer.

Shelf life of frozen food

Storage duration depends on the type of food.

At a temperature of -18 °C:

- Fish, sausage, ready meals and cakes and pastries:
up to 6 months
- Cheese, poultry and meat:
up to 8 months
- Vegetables and fruit:
up to 12 months

Freezer calendar

❄️❄️❄️	👛 🐔 🐟 🍰
noFrost	2-6 months
🐔 🐔 🐔 🍰	🐔 🐔 🐟 🍰
4-8 months	6-12 months

To prevent the quality of the frozen food from deteriorating, do not exceed the storage duration. The storage period depends on the type of produce. The figures next to the symbols indicate the permitted storage period of the produce in months.

In case of commercially available frozen food observe the date of manufacture or use-by date.

Super freezing

Food should be frozen solid as quickly as possible in order to retain vitamins, nutritional value, appearance and flavour.

Several hours before placing fresh food in the freezer compartment, switch on super freezing to prevent an unwanted temperature rise.

As a rule, 4-6 hours is adequate.

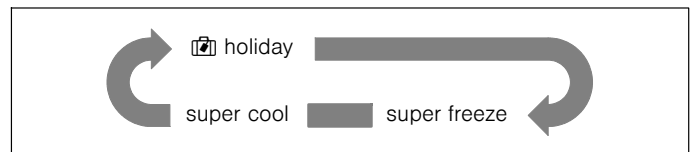
This appliance runs constantly and the freezer compartment drops to a very low temperature.

Before putting in a large amount of food, please set the freezer temperature to the coldest (i.e. -25 °C) one day in advance. When putting in food, activate the “super freeze” mode immediately. After the food has been frozen, please set the freezer temperature back to the normal use position to avoid unnecessary energy consumption.

Smaller quantities of food (up to 2 kg) can be frozen without super freezing.

Switching on super freezing

You can select different modes by pressing the “mode” button. The control panel will display the corresponding mode according to the following sequence.



When a certain mode is selected, wait for the corresponding display flash for 10 seconds. A buzzer will sound two times afterwards and the display will be illuminated, which means the setting is completed.

Switching off super freezing

To switch off “super freezing”, press “cool” or “freeze” button.

If super freezing is switched off, display “super freeze” goes out on the freezer display area. The appliance automatically switches to the temperature set prior to super freezing mode.

Note:

Super freezing automatically switches off after 26 hours.

Thawing frozen food

Depending on the type and application, select one of the following options:

- at room temperature
- in the refrigerator
- in an electric oven, with/without fan assisted hot-air
- in the microwave

Caution!

Do not refreeze thawing or thawed food. Only ready meals (boiled or fried) may be refrozen.

No longer store the frozen produce for the max. storage period.

Ice maker

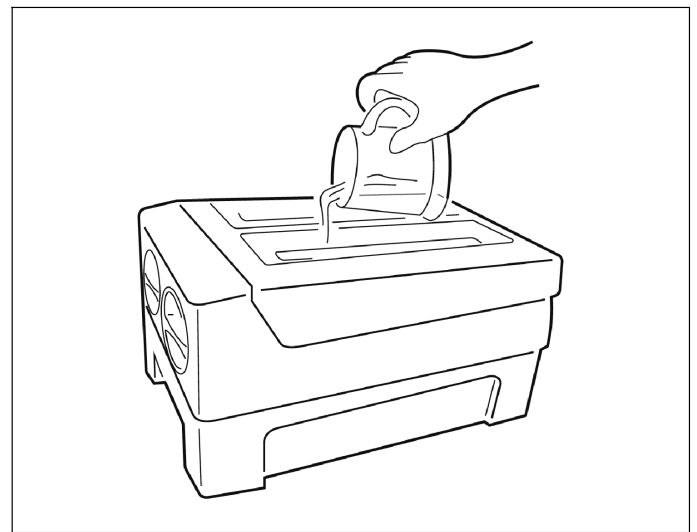
The ice maker is used for making ice and storing ice cubes. It is a removable accessory which can be taken out to save space.

Note:

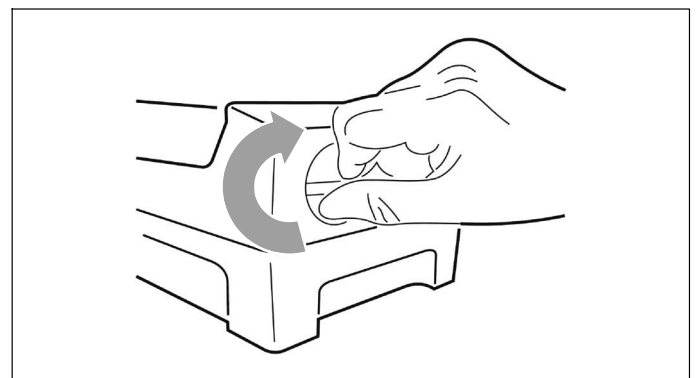
If the ice maker is used for the first time or has not been used for a long time, please clean it before using.

Ice-making process

1. Pull out the ice maker from the freezer compartment.
2. Fill with drinking water below the maximum level mark.



3. Place the filled ice maker back to the freezer compartment.
4. Await for around 3 hours, twist the knobs clockwise and the ice will drop into the ice box below.



5. Ice cubes can be stored in the ice box. If you need them, you can pull out the ice box and take them out.

Refrigerator compartment

The refrigerator compartment is the ideal storage location for meat, sausage, fish, dairy products, eggs, ready meals and pastries.

Storing food

- Store fresh, undamaged food. The quality and freshness will then be retained for longer.
- In the case of ready-made products and bottled goods, observe the best-before date or use-by date specified by the manufacturer.
- To retain aroma, colour and freshness, pack or cover food well before placing in the appliance. This will prevent the transfer of flavours and the discolouration of plastic parts in the refrigerator compartment.
- Allow warm food and drinks to cool down before placing in the appliance.

Note:

Avoid contact between food and rear panel. Otherwise the air circulation will be impaired.

Food or packaging could freeze to the rear panel.

Note the chill zones in the refrigerator compartment

The air circulation in the refrigerator compartment creates different chill zones:

- Coldest zone is between the vegetable container and the glass shelf situated above.

Note:

Store perishable food (e.g. fish, sausage, meat) in the coldest zone above the vegetable container.

- Warmest zone is at the very top of the door.

Note:

Store e.g. hard cheese and butter in the warmest zone. Cheese can then continue to release its flavour and the butter will still be easy to spread.

Fruit and vegetables crisper

The crisper, mounted on telescopic extension slides, is for storing vegetables and fruit.

When you remove the crisper pull it forwards and lift off the sliders. Remember to remove all food first.

Once you have removed the crisper, ensure the slides are pushed back fully.

Notes

- Fruit sensitive to cold (e.g. pineapple, banana, papaya and citrus fruit) and vegetables sensitive to cold (e.g. aubergines, cucumbers, zucchini, peppers, tomatoes and potatoes) should be stored outside the refrigerator at temperatures of approx. +8 °C to +12 °C for optimum preservation of quality and flavour.
- Condensation may form in the vegetable container depending on the type and quantity of products stored. Remove condensation with a dry cloth.

Super cooling

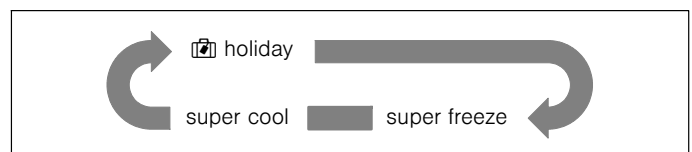
Super cooling sets the refrigerator temperature to the coldest temperature setting.

Switch on super cooling mode, e.g.

- before placing large quantities of food in the refrigerator compartment.
- for the fast cooling of drinks.

Switching on super cooling

You can select different modes by pressing the “mode” button. The control panel will display the corresponding mode according to the following sequence.



When a certain mode is selected, wait for the corresponding display flash for 10 seconds. A buzzer will sound two times afterwards and the display will be illuminated, which means the setting is completed.

Switching off super cooling

To switch off “super cooling”, press “cool” or “freeze” button.

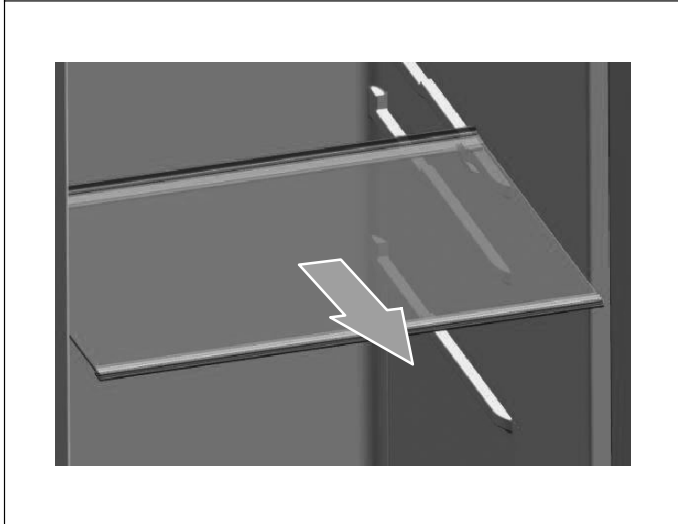
If super cooling is switched off, display “super cooling” goes out on the refrigerator display area. The appliance automatically switches to the temperature set prior to super cooling mode.

Variable interior design

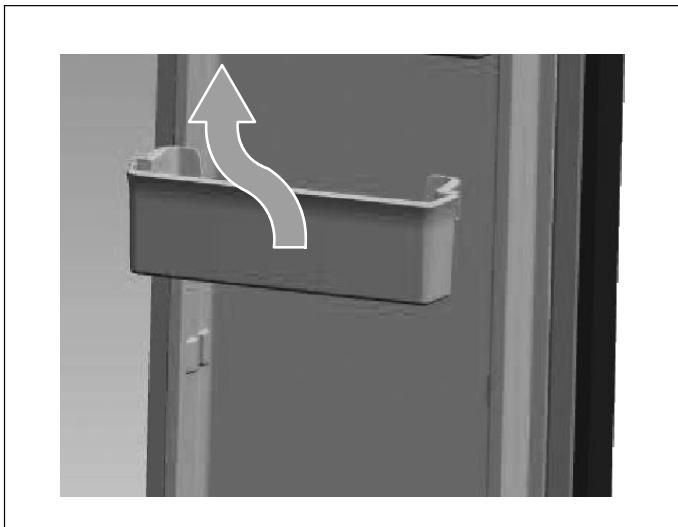
The refrigerator compartment is provided with 5 glass shelves and several different door racks, which are suitable for the storage of eggs, canned liquid, bottled drinks and packed food. They can be placed at different heights according to your needs.

Before removing the door shelves please remove all food items to avoid spillage.

- When you remove the shelves, gently pull them forward until the shelf comes clear of the shelf guides.



- When you return the shelves, make sure there is no obstacle behind and gently push the shelf back into the position.
- Lift the door shelf and remove.



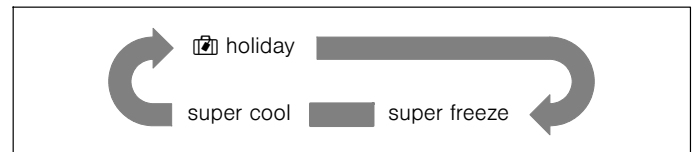
Holiday mode

If you are going away for a long period of time, “holiday” mode will be your best choice. It switches the temperature of the refrigerator compartment to 15 °C to minimize the energy consumption.

Important: Do not store any food in the fridge during this time.

Switching on holiday mode


You can select different modes by pressing the “mode” button. The control panel will display the corresponding mode according to the following sequence.



When a certain mode is selected, wait for the corresponding display flash for 10 seconds. A buzzer will sound two times afterwards and the display will be illuminated, which means the setting is completed.

Switching off holiday mode

To switch off “holiday” mode, press “cool” or “freeze” button.

If “holiday” mode is switched off, display  goes out on the display panel. The temperature setting will revert back to it's previous setting.

Switching off and disconnecting the appliance

Switching off the appliance

Pull out mains plug or switch off fuse.
Refrigerating unit switches off.

Disconnecting the appliance

If you do not use the appliance for a prolonged period:

1. Take all food out of the appliance.
2. Pull out mains plug or switch off fuse.
3. Clean the appliance interior (→ chapter “Cleaning the appliance”).
4. Leave the appliance doors open to prevent odours from forming.

Defrosting

Freezer compartment

The fully automatic NoFrost system ensures that the freezer compartment remains free of ice. Defrosting is no longer required.

Refrigerator compartment

Defrosting is actuated automatically.

The condensation runs through the drainage hole into an evaporation pan on the rear of the appliance.

Cleaning the appliance

Warning

Never clean the appliance with a steam cleaner!

Caution!

- Do not use abrasive, chloride or acidic cleaning agents or solvents.
- Do not use scouring or abrasive sponges. The metallic surfaces could corrode.
- Don't use sharp objects to remove frost from the refrigerator.
- Never clean shelves and containers in the dishwasher. The parts may become deformed!

Procedure

1. Pull out the mains plug or switch off the fuse.
2. Take out the frozen food and store in a cool location.
3. Wait until the layer of frost has thawed.
4. Clean the appliance with a soft cloth, lukewarm water and a little pH-neutral washing-up liquid. The rinsing water must not run into the light.
5. Wipe the door seal with clear water only and then wipe dry thoroughly.
6. After cleaning reconnect the appliance.
7. Put the frozen food back into the appliance.

Interior fittings

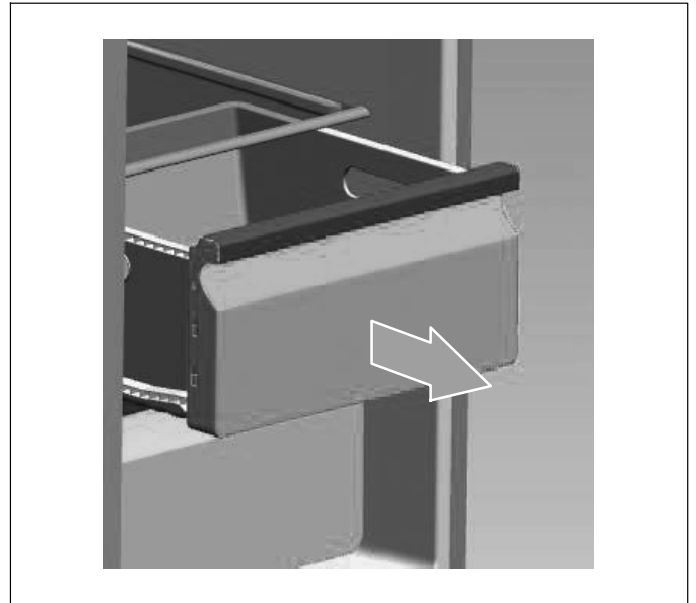
To clean the equipment, all variable parts of the appliance can be taken out (→ chapter "Variable interior design").

Note:

To take out and clean the containers, open the doors fully beyond 90°.

Removing container

Pull out container all the way, lift to detach it from the holder and take out.



To insert the container, place on the telescopic rails and push into the appliance. Attach the container by pressing it down.

Defrosting

Although this appliance automatically defrosts, a layer of frost may occur on the refrigerator's interior walls if the door is opened frequently or kept open too long.

If the frost is too thick wait until food stocks are low and proceed as follows:

1. Remove existing food and accessories baskets, unplug the appliance from the mains power and leave the doors open. Ventilate the room thoroughly to accelerate the thawing process.
2. When defrosting is completed, clean your freezer as described above.

Light (LED)

Your appliance features a maintenance-free LED light. These lights may be repaired by Customer service or authorised technicians only.

Tips for saving energy

- Install the appliance in a dry, well ventilated room! The appliance should not be installed in direct sunlight or near a heat source (e.g. radiator, cooker). If required, use an insulating plate.
- Do not block the ventilation openings in the appliance.
- Allow warm food and drinks to cool down before placing in the appliance.
- Thaw frozen food in the refrigerator compartment and use the low temperature of the frozen food to cool refrigerated food.
- Open the appliance as briefly as possible.
- Ensure that the freezer compartment door is always closed properly.
- The arrangement of the fittings does not affect the energy rating of the appliance.

Operating noises

Quite normal noises

- Compressor running noises.
- Air movement noise from the small fan motor in the fridge compartment or other compartments.
- Gurgling sound similar to water boiling.
- Popping noise during automatic defrosting.
- Clicking noise before the compressor starts.

Preventing noises

The appliance is not level

Please align the appliance with a spirit level. Use the height-adjustable feet or place packing underneath them.

The appliance is not free-standing

Please move the appliance away from adjacent units or appliances.

Containers or storage areas wobble or stick

Please check the removable parts and re-insert them correctly if required.

Bottles or receptacles are touching each other

Move the bottles or receptacles slightly away from each other.

Eliminating minor faults yourself

Before you call Customer service:

Please check whether you can eliminate the fault yourself based on the following information.

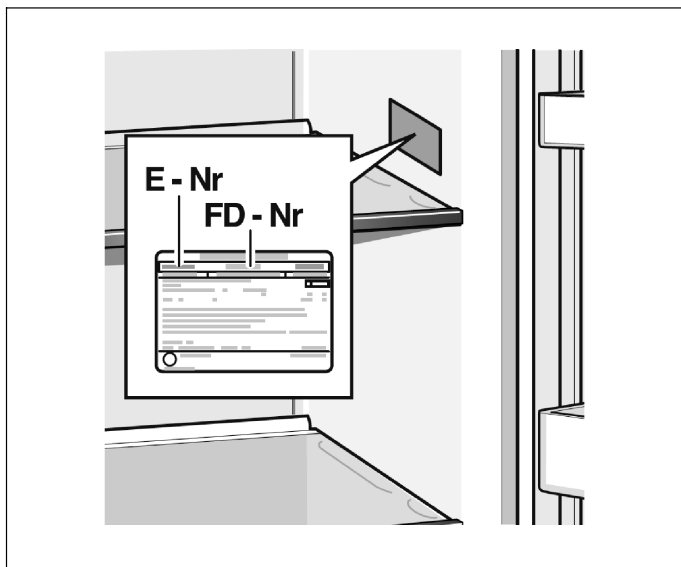
Customer service will charge you for advice even if the appliance is still under guarantee!

Fault	Possible cause	Remedial action
Appliance is not working	Mains plug has not been inserted properly.	Check whether the power cord is plugged into the power outlet properly.
	The fuse has been switched off or is defective.	Check the fuse; replace if necessary.
	Power failure.	Check the circuit of your power supply.
	The ambient temperature is too low.	Try setting the chamber temperature to a colder level to solve this problem.
	It is normal that the refrigerator is not operating during the automatic defrost cycle, or for a short time after the appliance is switched on to protect the compressor.	
Odours from the compartments	The interior is dirty.	Clean the interior.
	Some food, containers or wrapping cause odours.	
The motor runs continuously	<p>It is normal to frequently hear the sound of the motor, it will need to run more when in following circumstances:</p> <ul style="list-style-type: none"> ■ Temperature setting is set colder than necessary. ■ A large quantity of warm food has recently been stored within the appliance. ■ The temperature outside the appliance is too high. ■ Doors are kept open too long or too often. ■ After your installing the appliance or it has been switched off for a long time. 	
A layer of frost occurs in the compartment	Air outlets are blocked; insufficient ventilation; door not fully closed.	Check that the air outlets are not blocked by food and ensure food is placed within the appliance to allow sufficient ventilation. Ensure that door is fully closed. To remove the frost: → <i>chapter "Cleaning the appliance"</i> .
Temperature inside is too warm	You may have left the doors open too long or too frequently; or the doors are kept open by some obstacle; or the appliance is located with insufficient clearance at the sides, back or top.	Do not open the doors unnecessarily or longer than necessary; check clearance of appliance.

Customer service

Your local Customer service can be found in the telephone directory or in the Customer service index. Please provide Customer service with the appliance product number (E-Nr.) and production number (FD-Nr.).

These specifications can be found on the rating plate.



To prevent unnecessary call-outs, please assist Customer service by quoting the product and production numbers. This will save you additional costs.

Repair order and advice on faults

Contact information for all countries can be found on the enclosed Customer service list.

GB	0344 892 8999	Calls charged at local or mobile rate.
IE	01450 2655	0.03 € per minute at peak. Off peak 0.0088 € per minute.
US	866 447 4363	toll-free

BSH Hausgeräte GmbH
Carl-Wery-Straße 34
81739 München, GERMANY

siemens-home.bsh-group.com

Manufactured by BSH Hausgeräte GmbH under Trademark License of Siemens AG



8001133802 (9903)
en