

iQ700, Built-in fridge, 177.5 cm KI81FPF30G



A++

Premium refrigerator with hyperFresh premium 0°C to keep food fresh up to 3 times longer.

- ✓ All foods stay fresher for longer thanks to the hyperFresh premium 0° C drawers
- ✓ Brilliant illumination of the fridge's interior including the hyperFresh premium 0°C compartment.
- ✓ easyInstallation: Thanks to easyInstallation almost all brackets, including screws for fixing, are pre-assembled.
- ✓ Arrange the split varioShelf front-to-back or place underneath, depending on your space needs.
- ✓ The easyAccess glass shelves make loading easier and give you a better view of your food items.

Included accessories

- 3 x egg tray
- 1 x bottle holder in door tray

Features

Technical Data

Construction type : Built-in
 Door panel options : Not possible
 Height (mm) : 1772
 Width of the product (mm) : 558
 Depth of the product : 545
 Required niche size for installation (HxWxD) : 1775.0 x 560 x 550
 Net weight (kg) : 69.914
 Connection rating (W) : 90
 Current (A) : 13
 Door hinge : Right reversible
 Voltage (V) : 220-240
 Frequency (Hz) : 50
 Approval certificates : CE
 Length of electrical supply cord (cm) : 230
 Storage Period in Event of Power Failure (h) : 0
 Number of compressors : 1
 Number of independent cooling systems : 1
 Interior ventilator : No
 Reversible Door Hinge : Yes
 Number of Adjustable Shelves in fridge compartment (Stck) : 6
 Shelves for Bottles : No
 EAN code : 4242003833063
 Brand : Siemens
 Product name / Commercial code : KI81FPF30G
 Product category : Refrigerator
 Energy efficiency class (2010/30/EC) : A++
 Energy consumption annual (kWh/annum) - NEW (2010/30/EC) : 132.00
 Refrigerator Net capacity (l) - NEW (2010/30/EC) : 289
 Freezer Net capacity (l) - NEW (2010/30/EC) : 0
 Frost free system : No
 Freezing capacity (kg/24h) - NEW (2010/30/EC) : 0
 Noise level (dB(A) re 1 pW) : 37
 Climate class : SN-T
 Installation type : Full-integrated



iQ700, Built-in fridge, 177.5 cm KI81FPF30G

Features

Performance and Consumption

- Energy Efficiency Class: A++ at a range of energy efficiency classes from A+++ to D.
- Total net capacity: 289 litres
- Net fridge capacity: 206 litres
- Capacity in 0° C section: 83 l
- Noise level dB(A) re 1 pW: 37

Design features

- Right hinged door, door reversible
- Fixed hinge
- Bright interior LED fridge light
- Electronic LED display
- 1 compressor/1 cooling circuit

Food freshness system

- VitaControl - constant temperature by intelligent sensor technology - Constant temperature control by intelligent sensor technology
- 1 hyperFresh premium 0°C box with adjustable humidity - keeps fruit and vegetables fresher for longer.
- 2 hyperFresh premium 0°C boxes - keep fish and meat fresher for longer.
- 1 hyperFresh premium 0°C box with adjustable humidity - keeps fruit and vegetables fresher for longer.

Key features - Fridge section

- Capacity near 0°C section: 83 l
- 7 removable safety glass shelves of which 6 are easy pull out
- 5 door trays, including 1x dairy compartment
- Interior design with metal applications
- 1 hyperFresh premium 0°C box with adjustable humidity - keeps fruit and vegetables fresher for longer.
- 2 hyperFresh premium 0°C boxes - keep fish and meat fresher for longer.
- 1 removable door storage compartments.
- 3 x egg tray, 1 x bottle holder in door tray
- Bright interior LED fridge light

Functions

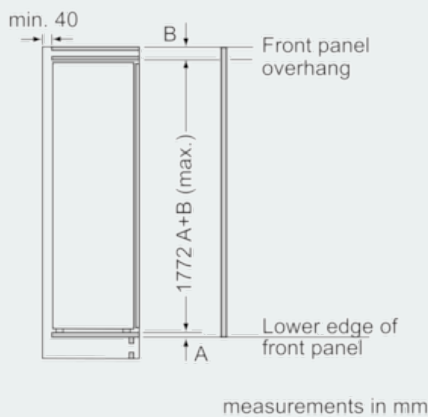
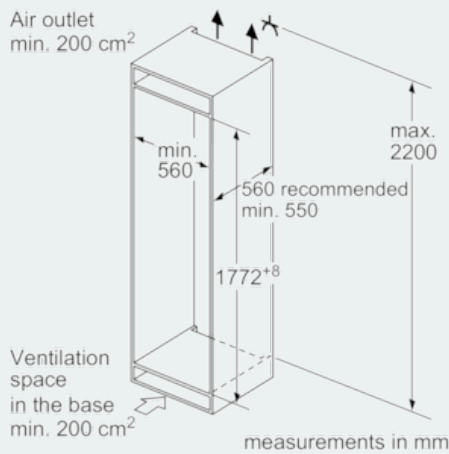
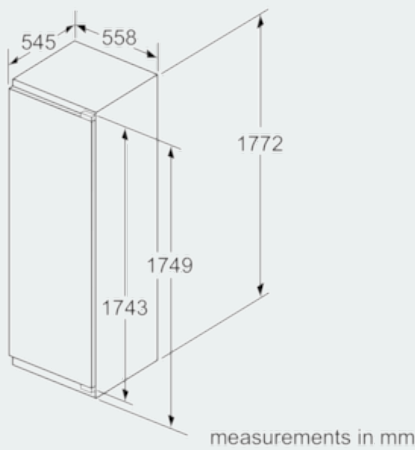
- Bright interior LED fridge light
- Acoustic open door warning system

Dimension and installation

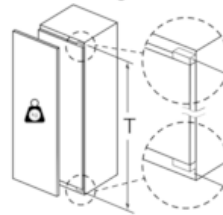
- Climate class SN-T (suitable for ambient temperatures between 10 to 43°C)
- Connection value 90 W
- Dimensions: 177.2 cm H x 55.8 cm W x 54.5 cm D
- Niche Dimensions: 177.5 cm H x 56 cm W x 55 cm D

iQ700, Built-in fridge, 177.5 cm
KI81FPF30G

Dimensioned drawings



Maximal permissible weight of the unit fronts

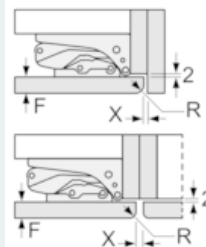


Fitted kitchen unit doors that exceed the permissible weight may cause damage and result in functional impairment of the hinges.

T: Includes height of appliance door Hinges in mm:	undamped hinge, Door in kg:	damped hinge, Door in kg:
1500-1750	22	22

measurements in mm

Recommended gap dimensions for flat hinges



F	R	X
16-19	0-3	2.5
20	0-1	3
	2-3	2.5
21	0-1	3
	2-3	2.5
22	0	4
	1	3.5
	2-3	3

The gap dimensions recommended in the table must be adhered to in order to ensure that appliance doors do not collide with anything when they are opened, and to avoid causing damage to kitchen units.