

iQ700, Built-in fridge-freezer with freezer at bottom KI87FPF30



A++



Premium refrigerator-freezer with hyperFresh premium 0°C to keep food fresh up to 3 times longer.

- ✓ All foods stay fresher for longer thanks to the hyperFresh premium 0° C drawers
- ✓ Less frost formation and faster defrosting with lowFrost.
- ✓ All eyes on freshness: The Premium LED lighting with its side and toplights illuminate every corner of your fridge.
- ✓ easyInstallation: Thanks to easyInstallation almost all brackets, including screws for fixing, are pre-assembled.
- ✓ The bigBox offers plenty of space to store and stack large frozen items efficiently.

Features

Technical Data

Construction type : Built-in
 Door panel options : Not possible
 Height (mm) : 1772
 Width of the product (mm) : 558
 Depth of the product : 545
 Required niche size for installation (HxWxD) : 1775.0 x 560 x 550
 Net weight (kg) : 68.651
 Connection rating (W) : 90
 Current (A) : 10
 Door hinge : Right reversible
 Voltage (V) : 220-240
 Frequency (Hz) : 50
 Approval certificates : CE, VDE
 Length of electrical supply cord (cm) : 230
 Storage Period in Event of Power Failure (h) : 26
 Number of compressors : 1
 Number of independent cooling systems : 2
 Interior ventilator : No
 Reversible Door Hinge : Yes
 Number of Adjustable Shelves in fridge compartment (Stck) : 3
 Shelves for Bottles : No
 EAN code : 4242003829080
 Brand : Siemens
 Product name / Commercial code : KI87FPF30
 Energy efficiency class (2010/30/EC) : A++
 Energy consumption annual (kWh/annum) - NEW (2010/30/EC) : 226.00
 Refrigerator Net capacity (l) - NEW (2010/30/EC) : 176
 Freezer Net capacity (l) - NEW (2010/30/EC) : 62
 Frost free system : No
 Temperature rise time (h) : 26
 Freezing capacity (kg/24h) - NEW (2010/30/EC) : 8
 Climate class : SN-ST
 Noise level (dB(A) re 1 pW) : 34
 Installation type : Full-integrated

Included accessories

- 2 x cold accumulator
- 3 x egg tray
- 1 x ice cube tray with lid
- 1 x bottle holder in door tray



iQ700, Built-in fridge-freezer with freezer at bottom KI87FPF30

Features

Performance and Consumption

- Energy Efficiency Class: A++ kWh/yr: 0.618 kwh
- Total net capacity: 238 litres
- Net fridge capacity: 176 litres
- Net freezer capacity: 62 litres
- Noise level dB(A) re 1 pW: 34

Design features

- lowFrost - less ice creation and therefore quicker defrosting
- Manual defrost freezer
- Fixed hinge
- Right hinged door, door reversible
- LED display for fridge and freezer
- Removable magnetic door seals - easy to clean

Food freshness system

- Capacity near 0°C section: 56 l
- 1 hyperFresh premium 0°C box with adjustable humidity - keeps fruit and vegetables fresher for longer.
- VitaControl - constant temperature by intelligent sensor technology - Constant temperature control by intelligent sensor technology
- LED display for fridge and freezer
- Twin evaporators allows independent temperature control and ensures there is no transference of humidity between the fridge and freezer cavity.

Key features - Fridge section

- 4 safety glass shelves (3 height adjustable)
- 3 door trays, including 1x dairy compartment
- Automatic defrost in fridge section
- Bright interior LED fridge light
- superCool function with automatic deactivation

Key features - Freezer section

- Net freezer capacity: 62 litres
- LowFrost
- Manual defrost freezer
- 4 star rating
- 2 freezer drawers
- Freezing capacity in 24 hours: 8 kg

2 transparent freezer drawers, 1 bigBox

- Maximum freezer storage time in power failure: 26 hours
- **** freezer 63 l (-18°C and below)
- 2 x cold accumulator, 3 x egg tray, 1 x ice cube tray, 1 x bottle holder in door tray

Functions

- Freezer malfunction warning signal: Optical and acoustical
- superFreeze function with automatic deactivation
- Acoustic open door warning system
- 2 x cold accumulator, 3 x egg tray, 1 x ice cube tray, 1 x bottle holder in door tray

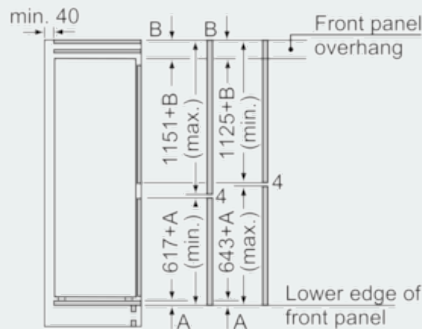
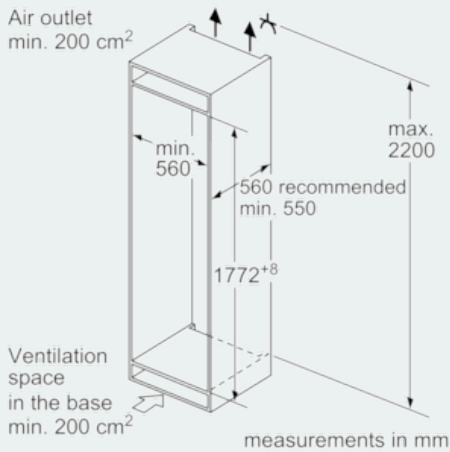
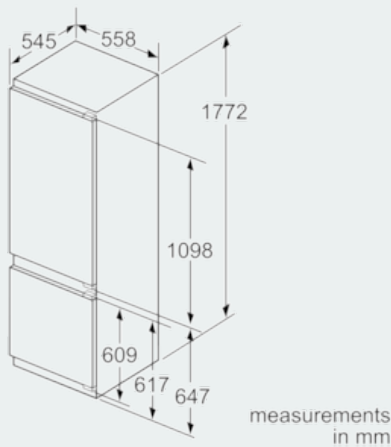
Dimension and installation

- easy Installation
- Connection value 90 W
- Dimensions: 177.2 cm H x 55.8 cm W x 54.5 cm D
- Niche Dimensions: 177.5 cm H x 56 cm W x 55 cm D

- Climate class SN-ST (suitable for ambient temperatures between 10 to 38°C)

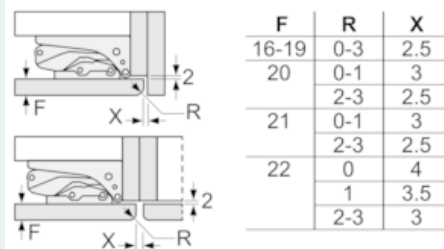
**iQ700, Built-in fridge-freezer with freezer at bottom
KI87FPF30**

Dimensioned drawings



The specified unit door dimensions are valid for a door gap of 4 mm.
measurements in mm

measurements in mm
Recommended gap dimensions for flat hinges



F	R	X
16-19	0-3	2.5
20	0-1	3
	2-3	2.5
21	0-1	3
	2-3	2.5
22	0	4
	1	3.5
	2-3	3

The gap dimensions recommended in the table must be adhered to in order to ensure that appliance doors do not collide with anything when they are opened, and to avoid causing damage to kitchen units.