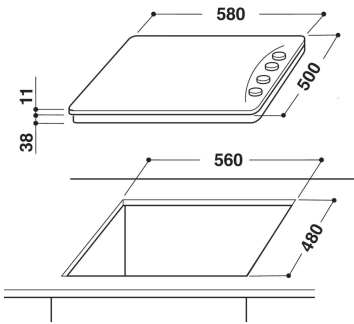


# PAS 642 /H(WH)

12NC: F101247

GTIN (EAN) code: 5054645012473

Hotpoint



## MAIN FEATURES

Product group	Hob
Construction type	Built-in
Type of control	Mechanical
Type of control settings	Knob
Number of gas burners	4
Number of electric cooking zones	-
Number of electric plates	-
Number of radiant plates	-
Number of halogen plates	-
Number of induction plates	-
Number of electric warming zones	-
Location of control panel	Lateral
Basic surface material	Sheetmetal
Main colour of product	White
Electrical connection rating (W)	-
Gas connection rating (W)	-
Current (A)	-
Voltage (V)	230
Frequency (Hz)	50/60
Length of Electrical Supply Cord (cm)	100
Plug type	UK
Gas connection	N/A
Width of the product	580
Height of the product	33
Depth of the product	510
Minimum niche height	-
Minimum niche width	555
Niche depth	475
Net weight (kg)	8.20
Automatic programmes	No

## TECHNICAL FEATURES

Power on indicator	No
Number of indicators	0
Type of regulation	Fast
Type of lid	Without
Residual heat indicator	Without
Main on/off switch	No
Safety device	No
Timer	No

## PERFORMANCES

Energy input	Gas
--------------	-----