



Neff
S58T40X0GB
Dishwasher fully integrated 45cm

Predecessor:

Successor:

EAN code:
4242004196020

sales programme:

S58T40X0GB Stainless steel colour
Slimline Dishwasher 45cm
Fully integrated

Performance

- Energy Efficiency Class: A+
- Capacity: 9 place settings
- Energy consumption in Eco 50 programme: 220 kwh per year, based on 280 standard cleaning cycles
- Water consumption in Eco 50 programme: 9.5 litres
- Water consumption in Eco 50 programme: 2660 litres per year, based on 280 standard cleaning cycles
- Programme time in Eco 50 programme: 195 minutes
- Noise level dB (A) re 1pW: 48 dB

Programmes/functions

- 4 programmes: Auto 45-65 °C, Eco 50 °C, Quick Wash 45 °C, Pre Rinse
- 3 temperatures
- 1 special option: VarioSpeed

Flexible design elements

- Vario basket system
- Height adjustable top basket
- Light Silver baskets
- 2 foldable plate racks in bottom basket
- 2 foldable cup shelves in top basket
- Knife rack in top basket
- Small variable cutlery basket in bottom basket

Innovations and technology

- NeffSparkle - glass care system
- Heat exchanger - Hygienic and efficient drying
- Efficient SilentDrive BLDC motor
- DuoPower Spray Arm
- DosageAssist detergent dispenser
- AquaSensor®, Load sensor
- Neff AquaStop® with guarantee

Design features

- Red InfoLight®
- Colour of indicators: Red LED indicators
- Large item spray head, including Steam protection plate
- Stainless steel interior
- Push button top controls
- LED salt refill indicator, LED rinse-aid refill indicator
- Self-cleaning filter system with 3 piece corrugated filter
- Childproof Door lock
- Time delay (1-24 hours) with Acoustic end of cycle indicator, water fault indicator

Included accessories

baking-sheet spray head grey, vapor barrier plate

Optional accessories

Technical Data

Characteristics

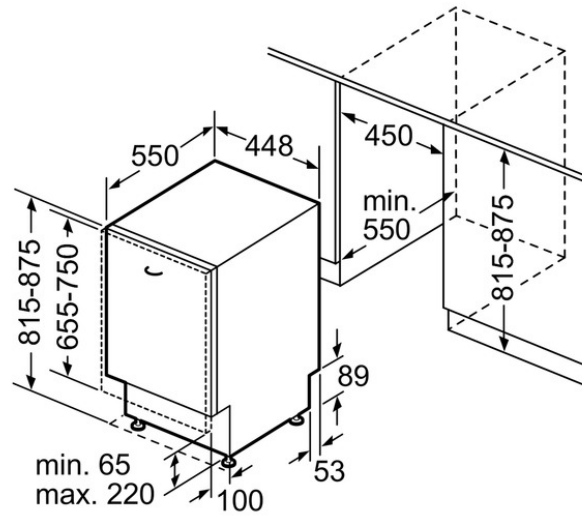
Water consumption (l) : 9.5
Construction type : Built-in
Height of removable worktop (mm) : 815
Required niche size for installation (HxWxD) : 815-875 x 450 x 550
Depth with open door 90 degree (mm) : 1155
Adjustable feet : Yes - front only
Maximum adjustability feet (mm) : 60
Adjustable plinth : both horizontal and vertical
Net weight (kg) : 30.0
Gross weight (kg) : 32.0
Connection rating (W) : 2400
Current (A) : 13
Voltage (V) : 220-240
Frequency (Hz) : 60; 50
Length of electrical supply cord (cm) : 175
Plug type : GB plug
Length inlet hose (cm) : 165
Length outlet hose (cm) : 205.0
EAN code : 4242004196020

Consumption and connection features

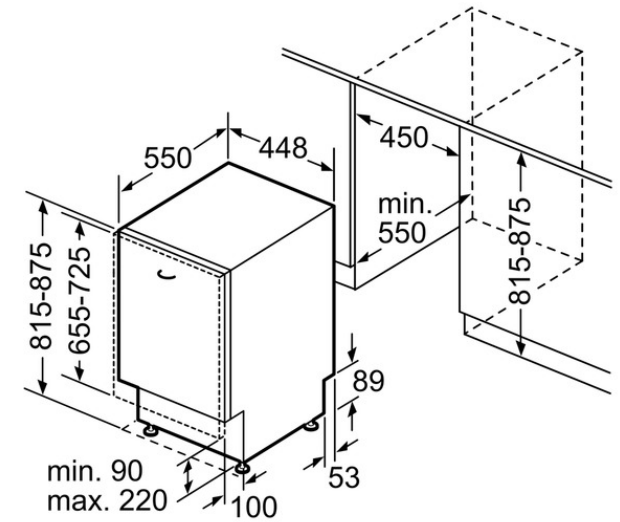
Number of place settings : 9
Energy efficiency class - NEW (2010/30/EC) : A+
Energy consumption annual (kWh/annum) - NEW (2010/30/EC) : 220
Energy consumption (kWh) : 0.78
Power consumption in left-on mode (W) - NEW (2010/30/EC) : 0.10
Power consumption in off-mode (W) - NEW (2010/30/EC) : 0.10
Water consumption annual (l/annum) - NEW (2010/30/EC) : 2660
Drying performance : A
Reference programme : Eco
Total cycle time of reference programme (min) : 195
Noise level (dB(A) re 1 pW) : 48
Installation type : Full-integrated

Alternative colors available

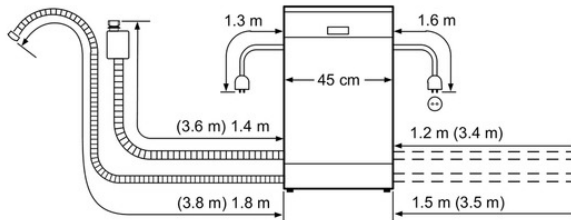
S58T40X0GB Stainless steel colour
Slimline Dishwasher 45cm
Fully integrated



measurements in mm



measurements in mm



() values with extension kit