

# Operating instructions

## Heat pump dryer



To avoid the risk of accidents or damage to the appliance it is **essential** to read these instructions before it is installed and used for the first time.

# Caring for the environment

---

## Disposal of the packing material

The packaging is designed to protect the appliance from damage during transportation. The packaging materials used are selected from materials which are environmentally friendly for disposal and should be recycled.

Recycling the packaging reduces the use of raw materials in the manufacturing process and also reduces the amount of waste in landfill sites.

## Disposing of your old appliance

Electrical and electronic appliances often contain valuable materials. They also contain specific materials, compounds and components, which were essential for their correct function and safety. These could be hazardous to human health and to the environment if disposed of with your domestic waste or if handled incorrectly. Please do not, therefore, dispose of your old appliance with your household waste.



Please dispose of it at your local community waste collection / recycling centre for electrical and electronic appliances, or contact your dealer or Miele for advice. You are also responsible (by law, depending on country) for deleting any personal data that may be stored on the appliance being disposed of. Please ensure that your old appliance poses no risk to children while being stored prior to disposal.

---

<b>Caring for the environment</b> .....	2
<b>Warning and Safety instructions</b> .....	6
<b>Operating the tumble dryer</b> .....	18
Control panel .....	18
How the control panel works .....	19
<b>Before using for the first time</b> .....	21
<b>Energy saving tips</b> .....	22
<b>1. Notes on correct laundry care</b> .....	23
Points to note regarding washed laundry .....	23
Preparing the laundry before drying .....	23
Garment care label symbols .....	24
Laundry care when drying in a tumble dryer .....	24
<b>2. Load the tumble dryer</b> .....	25
<b>3. Select a programme and start it</b> .....	26
Programme selection .....	26
Select Gentle tumble (if required) .....	27
Selecting Delay start (if required) .....	28
Start the programme .....	28
<b>4. Remove the laundry</b> .....	29
End of programme/Anti-crease .....	29
Remove the laundry .....	29
<b>Delay start</b> .....	30
<b>Programme chart</b> .....	31
<b>Changing the programme sequence</b> .....	35
<b>Cleaning and care</b> .....	36
Emptying the condensed water container .....	36
Fluff filters .....	37
Removing visible fluff .....	37
Cleaning the fluff filters and air flow openings thoroughly .....	38

# Contents

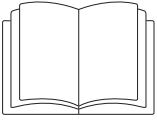
---

Plinth filter.....	40
Removing the plinth filter .....	40
Cleaning the plinth filter.....	40
Cleaning the plinth filter panel.....	41
Checking the condenser unit .....	41
Replacing the plinth filter.....	42
<b>Fragrance flacon.....</b>	<b>44</b>
Inserting a fragrance flacon.....	44
Replacing the fragrance flacon.....	46
<b>Problem solving guide .....</b>	<b>48</b>
Check indicators and fault messages .....	48
Unsatisfactory drying results.....	50
Other problems .....	51
<b>After sales service .....</b>	<b>53</b>
Contact in case of malfunction .....	53
Optional accessories.....	53
Warranty .....	53
<b>Installation and connection .....</b>	<b>54</b>
Front view .....	54
Rear view.....	55
Transporting the tumble dryer to its installation site .....	55
Installation .....	56
Levelling the dryer .....	56
Ventilation.....	56
Before moving the tumble dryer again (e.g. when moving house).....	56
Additional installation requirements .....	57
External condensed water outlet.....	58
Installation conditions requiring a non-return valve .....	58
Arranging the drain hose .....	59
Examples.....	60
Changing the door hinging.....	62
Changing the hinging over .....	62
Refitting .....	67
Electrical connection U.K. ....	68
<b>Consumption data.....</b>	<b>69</b>
<b>Technical data.....</b>	<b>70</b>
Data sheet for household tumble driers.....	71

<b>Programmable functions</b> .....	73
Programming .....	73
<i>P01</i> Cotton drying levels.....	75
<i>P02</i> Minimum iron drying levels.....	75
<i>P04</i> Extended cool down .....	75
<i>P05</i> Buzzer volume.....	75
<i>P06</i> Keypad tone .....	76
<i>P07</i> Lock code.....	76
<i>P08</i> Conductivity .....	77
<i>P11</i> Control panel switch-off status .....	77
<i>P12</i> Dryer switch-off status .....	78
<i>P13</i> Memory.....	78
<i>P14</i> Anti-crease .....	78
<i>P19</i> Buzzer.....	79
<i>P20</i> Airways indicator .....	79
<i>P23</i> Backlight brightness .....	79

# Warning and Safety instructions

---



- ▶ It is essential to read these instructions.

This tumble dryer complies with current safety requirements. Inappropriate use can, however, lead to personal injury and damage to property.

To avoid the risk of accidents and damage to the tumble dryer, please read these instructions carefully before using it for the first time. They contain important information on its safety, installation, use and maintenance.

Keep these instructions in a safe place and ensure that new users are familiar with the content. Pass them on to any future owner.

## Correct application

- ▶ This tumble dryer is intended for use in domestic households and similar working and residential environments.
- ▶ This tumble dryer is not intended for outdoor use.
- ▶ It must be used only as a domestic appliance to dry items which have been washed in a water solution and which are marked on the manufacturer's care label as being suitable for tumble drying. If using dry cleaning kits, do so at your own risk, and follow the instructions provided on the packaging. Any other applications may be dangerous. Miele cannot be held liable for damage resulting from incorrect or improper use or operation.

## Warning and Safety instructions

---

▶ This tumble dryer can only be used by people with reduced physical, sensory or mental capabilities, or lack of experience or knowledge, if they are supervised whilst using it or have been shown how to use it in a safe way and understand and recognise the consequences of incorrect operation.

### **Safety with children**

- ▶ Children under 8 years of age must be kept away from the tumble dryer unless they are constantly supervised.
- ▶ Children 8 years and older may only use the tumble dryer unsupervised if they have been shown how to use it safely and recognise and understand the consequences of incorrect operation.
- ▶ Children must not be allowed to clean or maintain the tumble dryer unsupervised.
- ▶ Please supervise children in the vicinity of the tumble dryer and do not let them play with it.

# Warning and Safety instructions

---

## Technical safety

▶ Before setting up the tumble dryer, check it for any externally visible damage.

Do not install or use a damaged tumble dryer.

▶ Before connecting the tumble dryer, ensure that the connection data on the data plate (fuse rating, voltage and frequency) match the mains electricity supply. If in any doubt, consult a qualified electrician.

▶ Reliable and safe operation of this tumble dryer can only be assured if it has been connected to the mains electricity supply.

▶ The electrical safety of this tumble dryer can only be guaranteed when correctly earthed. It is essential that this standard safety requirement is met. If in any doubt, please have the household wiring system tested by a qualified electrician. Miele cannot be held liable for the consequences of an inadequate earthing system (e.g. electric shock).

▶ Do not connect the appliance to the mains electricity supply by an extension lead, multi-socket adapter or similar. These can overheat and are a fire hazard.

▶ If the electrical connection cable is faulty it must only be replaced by a Miele authorised service technician to protect the user from danger.

▶ Unauthorised repairs could result in unforeseen dangers for the user, for which Miele cannot accept liability. Repairs should only be undertaken by a Miele approved service technician, otherwise any subsequent damage will not be covered by the warranty.

▶ Faulty components must only be replaced by genuine Miele original spare parts. The manufacturer can only guarantee the safety of the appliance when Miele replacement parts are used.



## Warning and Safety instructions

---

- ▶ The tumble dryer must be isolated from the electricity supply in the event of a fault and during cleaning and maintenance.
- ▶ This tumble dryer must not be used in a non-stationary location (e.g. on a ship).
- ▶ Do not make any alterations to the tumble dryer, unless authorised to do so by Miele.

## Warning and Safety instructions

---

### ► Heat pump technology and refrigerant:

The heat pump in this tumble dryer uses a refrigerant which is condensed by the compressor and led in a closed circuit through the heat exchanger unit where heat exchange with the circulating drying air takes place.

- The humming noises caused by the heat pump during the drying process are normal and do not impair the efficient functioning of the dryer.
- The refrigerant is not flammable or explosive.
- In general it is not necessary to leave the dryer standing for any length of time after it has been installed provided it has been transported correctly (see “Installation and connection”). If it has not been transported as described, ensure that the recommended standing time prior to first operation is observed. Otherwise the heat pump can be damaged.
- This tumble dryer contains fluorinated greenhouse gases (F-Gas). They are hermetically sealed.  
Designation of refrigerant: R134a  
Amount of refrigerant: 0.48 kg  
Global warming potential of refrigerant: 1430 kg CO<sub>2</sub> e  
Global warming potential of appliance: 686 kg CO<sub>2</sub> e

## Warning and Safety instructions

---

- ▶ Please observe the instructions in “Installation and connection” and the “Technical data”.
- ▶ The accessibility of the plug must always be ensured, in order to disconnect the tumble dryer from the mains.
- ▶ Do not block the gap between the bottom of the tumble dryer and the floor with plinth facings, deep pile carpet etc. This would hinder a sufficient flow of air to the dryer.
- ▶ Make sure the dryer door can be opened without hindrance after installation.
- ▶ This tumble dryer is supplied with a special lamp to cope with particular conditions (e.g. temperature, moisture, chemical resistance, abrasion resistance and vibration). This special lamp must only be used for the purpose it is intended for. It is not suitable for room lighting. Replacement lamps may only be fitted by a Miele authorised person or the Miele Service Department.

### Correct use

- ▶ The maximum load for this tumble dryer is 8.0 kg (dry weight). The maximum recommended loads for individual programmes are given in the Programme chart.
- ▶ To prevent the risk of fire, do not connect the tumble dryer via a controllable socket (e.g. a timer or a peak-load switch-off device). If the drying programme is interrupted before the end of the cooling down phase, this could cause the laundry to self-ignite.

## Warning and Safety instructions

---

- To prevent the risk of fire, the following textiles must not be dried in this tumble dryer:
- Items which have not been washed.
  - Items, such as workwear, which have not been thoroughly cleaned and which are still soiled with grease, oil or other deposits (such as cosmetics, lotions etc). If items have not been thoroughly cleaned there is a danger that these might ignite when heated, even after they have been removed from the dryer at the end of the programme.
  - Items (e.g. mops and floor cloths) which have been treated with inflammable cleaning agents or which contain residues of acetone, alcohol, benzene, petrol, kerosene, stain remover, turpentine, wax and wax remover or other chemicals.
  - Items which have been splashed with hair lacquer, hair spray, nail varnish remover or similar substances.

When washing such heavily soiled items ensure that you use sufficient detergent and select a high temperature. If in doubt, wash the items several times.

## Warning and Safety instructions

---

- ▶ Remove all items from pockets (e.g. lighters, matches).
- ▶ **Warning:** Do not switch the dryer off before the drying programme has finished. If this is done, the laundry must be hung up or spread out to cool it down.
- ▶ Fabric conditioner and similar products must be used according to the instructions on the manufacturer's packaging.
- ▶ To prevent the risk of fire, the following textiles must not be dried in this tumble dryer:
  - Items which have been cleaned using chemicals (e.g. professional dry-cleaning agents).
  - Items which contain a large proportion of rubber, foam rubber or rubber-like materials. For example, products made from latex foam rubber, shower caps, waterproof textiles, rubberised articles and items of clothing and pillows with foam rubber filling.
  - Damaged items which contain padding or fillings (e.g. pillows, jackets). When damaged, the filling can get out with the risk of it igniting in the dryer.

## Warning and Safety instructions

---

▶ In many programmes, the heating phase is followed by a cooling down phase to ensure that the items are not too hot to handle when you remove them (this also avoids the danger of the laundry self-igniting). The programme is not finished until the cooling down phase has been completed.

As soon as the programme has finished, remove all laundry from the drum.

▶ Do not let anyone sit or lean on the door, as this can cause the tumble dryer to tip up.

▶ Always close the door after use. This way you will avoid the danger of:

- Children climbing onto or into the dryer or hiding things in it.
- Pets or other small animals climbing into it.

▶ The tumble dryer must not be used without fluff filters or

- with damaged fluff filters, or
- with a damaged plinth filter.

This would cause an excessive build-up of fluff which in turn would cause a fault.

▶ The fluff filters must be cleaned after every drying cycle.

▶ The fluff filters and the plinth filter must be thoroughly dried after cleaning. Do not replace them if they are damp or wet. Damp or wet filters could cause operational faults.

▶ Do not install the tumble dryer in a room where there is a risk of frost occurring. At temperatures around freezing point the tumble dryer may not be able to operate properly. There is a risk of damage if the condensed water is allowed to freeze in the pump and hoses.

## Warning and Safety instructions

---

- ▶ If the water is drained externally through the drain hose instead of being collected in the condensed water container, make sure the drain hose is securely attached if you hang it in a sink or basin to avoid the hose slipping and the water causing damage.
- ▶ Condensed water is not drinking water. It can cause health problems in both people and animals if consumed.
- ▶ Always keep the area around the tumble dryer free of dust and fluff. Dust drawn into the tumble dryer can cause blockages in the heat exchanger over time.
- ▶ The tumble dryer must not be hosed down.

## Warning and Safety instructions

---


### Using a fragrance flacon (optional accessory)

- ▶ Only use genuine Miele original fragrance flacons.
- ▶ The fragrance flacon must be stored in its packaging so please make sure you retain this.
- ▶ Caution. The fragrance can leak out of the flacon. Make sure that you always keep the flacon, or the fluff filter with the flacon inserted in it, in a horizontal position when carrying and do not tip or place down on any surface.
- ▶ Use an absorbent cloth to wipe up any fragrance which has leaked out of the flacon onto the floor, the dryer or any dryer components (e.g. the fluff filter) immediately.
- ▶ If fragrance which has leaked out of a flacon: comes into contact with the **skin** - wash the skin thoroughly with soap and water; comes in contact with the **eyes** - rinse the eyes with clean water for at least 15 minutes; is swallowed - rinse out the **mouth** thoroughly with clean water. Seek medical advice in the case of contact with the eyes or if fragrance has been swallowed.
- ▶ If fragrance which has leaked out of a flacon comes in contact with clothing, change the clothing immediately. Wash the clothing or any cloths used for mopping up fragrance thoroughly with plenty of water and detergent.
- ▶ There is the risk of fire or damage to the tumble dryer if the following instructions are not observed:
  - Never refill a flacon with fragrance.
  - Never use a faulty fragrance flacon.
- ▶ Dispose of an empty fragrance flacon with the household waste and never use it for any other purpose.
- ▶ Please also observe the information supplied with the fragrance flacon.



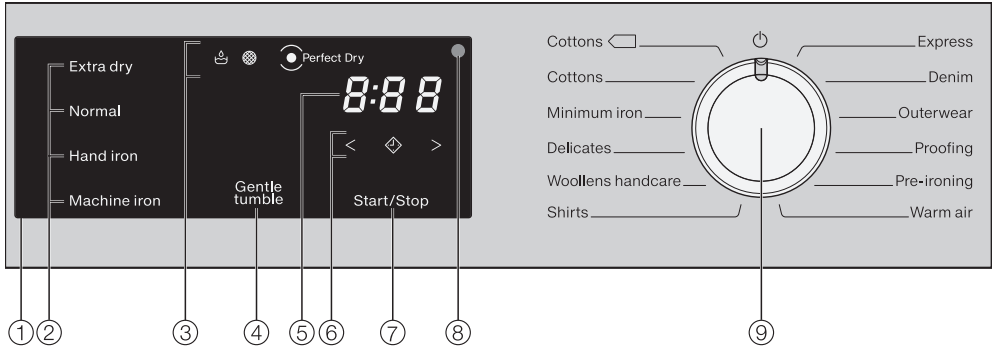
### Accessories








- ▶ Only use genuine Miele original spare parts and accessories with this appliance. If non-Miele parts are used, warranty, performance and product liability claims will be invalidated.
- ▶ The tumble dryer can be combined with a Miele washing machine in a washer-dryer stack. The appropriate “WTV” stacking kit (available to order) to match your tumble dryer and washing machine is required.
- ▶ If you order a plinth for this tumble dryer (available from Miele as an optional accessory - depending on country), make sure it is the correct one.

 Miele cannot be held liable for damage caused by non-compliance with these Warning and Safety instructions.

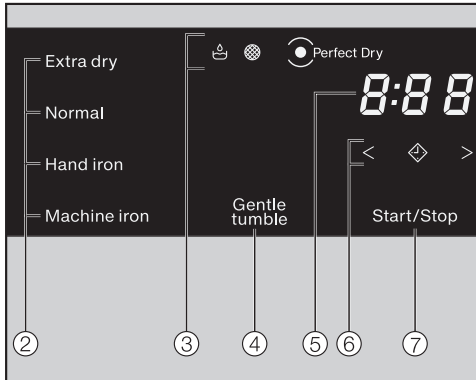
# Operating the tumble dryer

## Control panel



- ① **Control panel**
- ② **Sensors for the drying levels**
- ③ **Control lights**     
light up when necessary
- ④ **Gentle tumble sensor**  
for gentle drying
- ⑤ **Time display**  
for the programme duration
- ⑥ **Sensors**     
for time selection
- ⑦ **Start/Stop sensor**  
for programme start/cancellation
- ⑧ **Optical interface**  
for service technicians
- ⑨ **Programme selector**  
for selecting a programme and for switching the dryer off. Selecting a programme switches the dryer on, and turning the programme selector to  switches it off.

## How the control panel works



The ②, ④, ⑥ and ⑦ sensors respond to fingertip contact. Selection is possible as long as the respective sensor is illuminated.

If a sensor is brightly lit, this means: currently selected

If a sensor is dimly lit, this means: selection possible

### ② Sensor controls for the drying levels

After selecting a drying level programme with the programme selector, the proposed drying level lights up.

Drying levels that can be selected are dimly lit.

### ③ Indicator lights

- lights up when the condensed water container needs to be emptied.
- lights up when the plinth filter has to be cleaned.
- *PerfectDry*  
The Perfect Dry system measures the residual dampness of the laundry in the drying level programmes and therefore ensures precise drying. This indicator . . .  
. . . will flash after the programme has started until the programme duration is determined and will then go out.  
. . . will light up again when the drying level is reached towards the end of the programme.  
. . . stays dark with the following programmes: *Woolens handcare*, *Warm air*.

### ④ Gentle tumble sensor

For drying temperature-sensitive fabrics with the symbol. When it is touched, *Gentle tumble* lights up brightly.

With some programmes, *Gentle tumble* is always active (lights up) or inactive (does not light up).

# Operating the tumble dryer

---



## ⑤ Time display

The remaining programme duration will be displayed in hours and minutes.

The duration of most programmes can vary which can lead to time jumps. The duration depends on the quantity of the laundry, the type of laundry and the residual moisture of the laundry. The electronics continually access conditions in the appliance and adjust the programme duration with increasing accuracy.

## ⑥ Sensor controls < >

– 

After touching the  sensor, a later start time for the programme (delay start) can be selected. When selected,  lights up brightly.

– < >


The < or > sensors are used for selecting the duration of the delay start period or the duration of the *Warm air* programme.

## ⑦ Start/Stop sensor


Touching the *Start/Stop* sensor starts the selected programme or cancels a programme that has already been started. The sensor flashes slowly as soon as it is possible for a programme to be started and then lights up constantly after the programme has started.

### Remove the protective foil and stickers

- Remove
  - the protective foil from the door.
  - any stickers from the front and the lid.

 Please do not remove any labels (e.g. the data plate), visible when you open the door.

### After installing the dryer

 Before using the tumble dryer for the first time, ensure that it is installed and connected to the electricity supply correctly. If it has not been transported as described in “Installation and connection” then it must be left to stand for at least 1 hour before it is connected to the electricity supply.

### Follow the procedure for using for the first time outlined in these instructions.

- Read “1. Notes on correct laundry care” and “2. Load the tumble dryer”.
- You can then load the dryer and select a programme as described in “3. Select a programme and start it”.

## Energy saving tips

---

To avoid unnecessarily long drying times and high consumption of energy:

- Make sure that your laundry is thoroughly spun before drying. The higher the spin, the greater the savings that can be made in energy and time during drying.
- Observe the maximum recommended loading capacity for the relevant programme for optimum energy consumption and for excellent results.
- Make sure the room temperature is not too high. If there are other heat producing appliances in the room in which the dryer is located, make sure the room is well ventilated and switch the other appliances off, if possible.
- Clean the fluff filters in the door opening after every drying cycle.

Please refer to “Cleaning and care” for information on cleaning the fluff filters and the plinth filter.


- If possible, make use of time-variable, low-cost electricity tariffs. Ask your energy supplier for information. Your tumble dryer's delay start function will be useful as you can select when during the next 24 hours you want drying to start automatically.


# 1. Notes on correct laundry care

## Points to note regarding washed laundry

- When washing very heavily soiled items ensure that you use sufficient detergent and select a high temperature. If in doubt, wash the items several times.
- Do not put soaking wet items into the tumble dryer. Make sure your laundry is thoroughly spun before drying. The higher the spin speed, the greater the savings that can be made in energy and time during drying.
- New dark coloured garments should be washed and dried separately from light coloured garments to avoid the danger of colours running and discolouring other garments or even plastic components in the dryer. Dark coloured fibres can also settle on light coloured garments and vice versa.
- Starched laundry can be dried in the tumble dryer. To achieve the usual finish, double the amount of starch should be used.

## Preparing the laundry before drying








 Make sure that any objects, e.g. detergent dosing balls, lighters etc. have been removed from the laundry. They could melt or explode and cause damage to the dryer or the laundry.

 See “Warning and Safety” instructions for further information. Loading or using the tumble dryer incorrectly could cause a fire.

- Sort the laundry according to the type of fibre and weave, size, garment care label symbol and the drying level required.
- Check the seams of padded or down-filled items to prevent the risk of fillings coming out. These could catch fire when being dried.
- Disentangle the laundry.
- Tie together textile belts and ties.
- Fasten . . .  
. . . duvet covers and pillow cases to prevent small items from being trapped inside them.  
. . . hooks and eyes.
- Sew in or remove underwiring from bras.
- Leave jackets open and undo any long zips so that textiles dry evenly.
- Minimum iron fabrics tend to crease more, the greater the load. This is also the case for garments made from very fine weave fabric, such as shirts or blouses. If necessary, reduce the size of the load for these types of fabric.

# 1. Notes on correct laundry care

## Garment care label symbols

Drying	
	Normal/higher temperature
	Reduced temperature: select <i>Gentle tumble</i> (for delicate fabrics)
	Do not tumble dry
Ironing	
	Hot iron
	Warm iron
	Cool iron
	Do not iron

## Laundry care when drying in a tumble dryer

See the “Programme chart”.  
This describes the programmes and gives their maximum load.

- Load according to the optimum amount of laundry recommended for the programme being used. Underloading is uneconomical. Overloading gives a poorer quality of drying and may cause unnecessary creasing.
- Select an appropriate drying level, e.g. . . .
  - . . . *Normal*, if you want to fold and put away the laundry after you take it out of the dryer.
  - . . . *Machine iron*, if you intend to process the laundry further after drying, e.g. ironing.

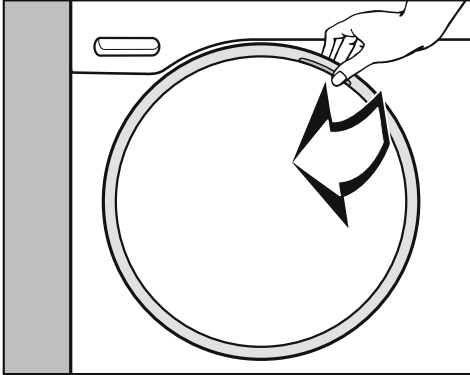
- You should only tumble dry pure linen if it is specified as suitable by the manufacturer on the care label, as the surface of the fabric may otherwise become rough.
- Woollens and wool blends tend to become matted and shrink if dried in a tumble dryer. They can, however, be “fluffed up” in the *Woollens handcare* programme.
- Loop-knit garments (e.g. T-shirts and underwear) tend to shrink on their first wash. Therefore, to prevent further shrinking, do not over-dry these fabrics. When purchasing these garments it is advisable to take their shrinkage properties into account.
- With fabrics that are particularly heat-sensitive or susceptible to creasing, reduce the drying load and select *Gentle tumble*.




## 2. Load the tumble dryer


 It is essential to read “1. Notes on correct laundry care” first of all.

### Open the door



- Pull the door open at the side with the orange marker.
- Unfold the laundry and load loosely into the drum.

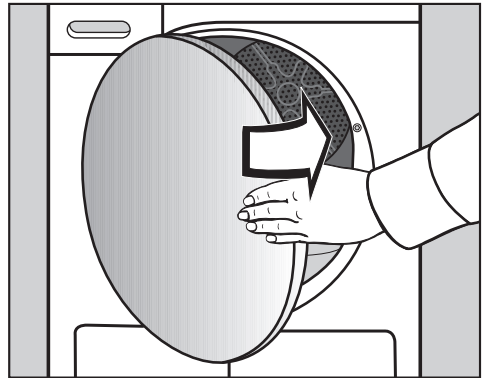
 Do not overload the drum. Overloading can cause unnecessary wear and tear to the laundry, give a disappointing drying result and cause more creasing.

 When closing the door make sure that laundry does not get trapped in the door opening. This could damage the laundry.



If you are not using a fragrance flacon: the tab must be pushed down completely (see arrow).


### Close the door

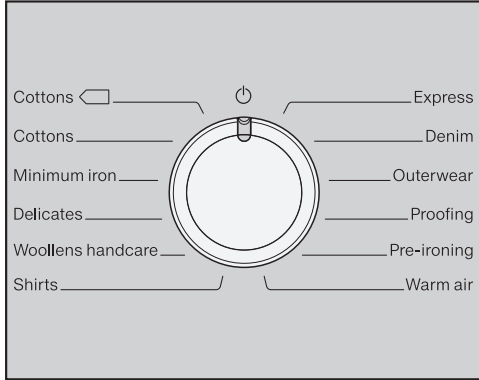


- Shut the door with a gentle swing.

### 3. Select a programme and start it

#### Programme selection

The dryer is switched on when you select a programme, and switched off by turning the programme selector to the  position.



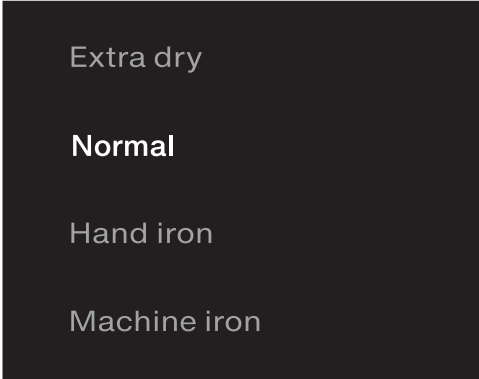
- Turn the programme selector.

A drying level can also light up and durations will appear in the time display.

#### Programmes with drying levels

- ***Cottons, Minimum iron, Delicates, Express, Shirts, Denim, Outerwear, Pre-ironing***

The drying level can be altered after selecting one of these programmes.



- Touch the sensor for the drying level you want, it then lights up brightly.

Any drying level can be selected for the *Cottons* and *Express* programmes. A more limited range is available when using the other programmes.

### 3. Select a programme and start it

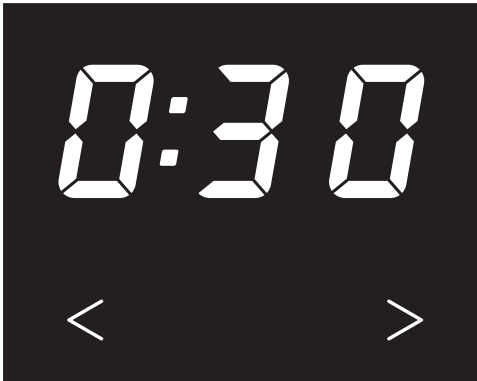
#### Other programmes and the timed drying programmes

- **Cottons** , **Woollens handcare, Proofing**

The drying level/ duration is preset by the dryer automatically and cannot be altered.


- **Warm air**

You can set the duration in ten-minute stages: from 0:20 minutes to 2:00 hours.



- Touch the > or < sensor repeatedly until the required programme duration appears in the time display.

#### Select Gentle tumble (if required)

Delicate fabrics (with the  symbol on the care label, e.g. acrylic garments) are dried at a lower temperature and the programme duration is longer.

- Touch the *Gentle tumble* sensor, which then lights up brightly.
- *Gentle tumble* can be selected with the following programmes:
  - *Cottons*
  - *Minimum iron*
  - *Shirts*
  - *Denim*
  - *Warm air*
- With *Delicates*, *Pre-ironing*, *Outerwear*, *Gentle tumble* is always activated/cannot be deselected.

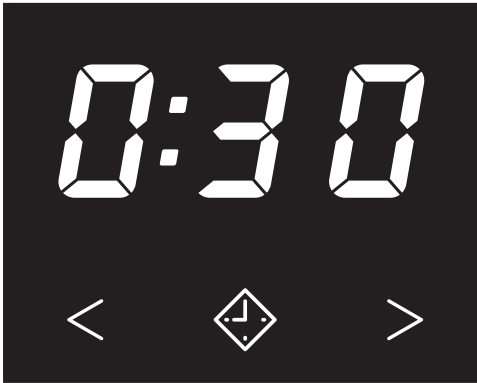
### 3. Select a programme and start it

#### Selecting Delay start (if required)

With delay start you can delay the start of the programme: from 0:30 minutes up to 24h (hours).

**However:** delay start cannot be used in combination with the *Warm air* programme.

For further information, see the “Delay start” chapter.



■ Touch the  sensor.

 lights up brightly

■ Touch the > or < sensor repeatedly until the required delayed start time appears in the time display.


#### Start the programme

■ Touch the flashing *Start/Stop* sensor.

*Start/Stop* lights up

Note:

- The *Perfect Dry* indicator will only flash/light up with programmes with selectable drying levels (see also “Operating the tumble dryer”).
- This dryer measures residual moisture content in the laundry to determine the required programme duration. If the tumble dryer is loaded with dry laundry or only a small load, it will be dried/aired for a set duration. In this case, *Perfect Dry* does not light up at the programme end.

 Avoid over-drying items of laundry and garments. Otherwise they can wear out!

Energy saving:

after 10 minutes, the indicators dim and the *Start/Stop* sensor starts flashing.

■ Touch the *Start/Stop* sensor to switch the indicators on again (this does not have any effect on a running programme).

## 4. Remove the laundry

### End of programme/Anti-crease

Programme end: 0:00 lights up and the Start/Stop sensor goes out.

Following the end of the programme, the Anti-crease phase is activated for max. 2 hours. There is no Anti-crease phase with *Woolens handcare*.

See “Programmable functions”, “P14 Anti-crease”.

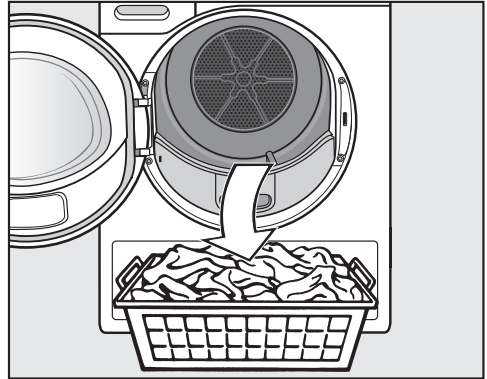
### Energy saving:

- 10 minutes after the end of the programme, the Start/Stop sensor will begin to flash and the display will go out.
- The dryer will switch off automatically 15 minutes after the end of the anti-crease phase (with programmes without an anti-crease phase it will switch off 15 minutes after the end of the programme).

### Remove the laundry

**⚠ Never** open the door before the drying process has finished.


- Pull the door open at the side with the orange marker.



- Unload the drum.

**⚠** Check that all items have been removed from the drum.

If items are left in the dryer, they could be damaged by over-drying when the dryer is next used.

- Turn the programme selector to .
- Remove the fluff from the 2 fluff filters in the door opening: see the “Cleaning and care - Fluff filters” chapter.
- Shut the door with a gentle swing.
- Empty the condensed water container.

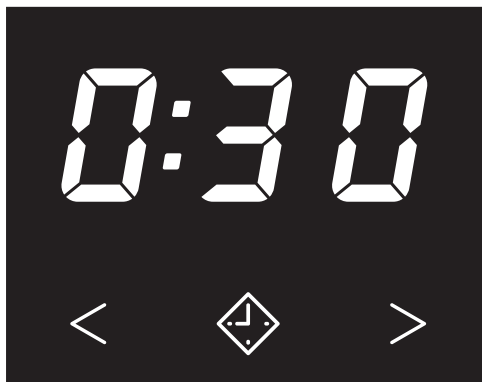
### Drum lighting




The inside of the drum lights up so that you don't forget any items of laundry when you empty it.

The drum lighting switches off automatically (energy saving).


## Delay start

### To select delay start



- Touch the  sensor.
-  lights up brightly
- Touch the > or < sensor repeatedly until the required delayed start time appears in the time display.
- Selection is from 0:30 (minutes) to 10h (hours) in half-hour stages and then in one hour increments up to 24h.
- By touching the > or < sensors repeatedly, the time goes upwards or downwards.
- If you touch the  sensor again, the selected time is deleted.

### To begin delay start

- Touch the *Start/Stop* sensor.
- *Start/Stop* and  light up
- The < > sensors go out
- Delay start times of more than 10h will count down in hours and then in minutes until the start of the programme.

- The drum will turn briefly every hour until the start of the programme to reduce creasing.


### Changing delay start

- Touch the *Start/Stop* sensor.
- You can change the time with the < > sensors.
- Touch the *Start/Stop* sensor so that the delay start period continues.


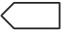
### Adding or removing laundry

- You can open the door to add/remove laundry.
- All programme settings will be saved.
- You can also change the drying level, if required.
- Close the door.
- Touch the *Start/Stop* sensor so that the delay start period continues.

### Cancelling delay start

- To cancel, turn the programme selector to .

# Programme chart


<b>Cottons</b>  **		<b>Max. load 8.0 kg*</b>
Use for	Cotton items such as those described under <i>Cottons Normal</i> with normal residual moisture.	
Note	<ul style="list-style-type: none"> <li>– Items are dried to a <i>Normal</i> level only.</li> <li>– The <i>Cottons</i>  programme is the most energy-efficient for drying cotton items with normal residual moisture levels.</li> </ul>	
<b>Cottons</b>		<b>Max. load 8.0 kg*</b>
<b>Extra dry, Normal</b>		
Use for	Single and multi-layered cotton fabric such as towelling, jerseywear, T-shirts, underwear, workwear, covers, flannelette bed linen and baby clothes.	
Note	<ul style="list-style-type: none"> <li>– Select <i>Extra dry</i> for multi-layered and very thick fabric.</li> <li>– Do not use <i>Extra dry</i> for jersey fabric (e.g. T-shirts, underwear), as they have a tendency to shrink.</li> </ul>	
<b>Hand iron, Machine iron</b>		
Use for	Cotton or linen fabric requiring further processing, e.g.: table linen, bed linen, starched laundry.	
Note	To prevent laundry from drying out it should be rolled up until you are ready for ironing.	
<b>Minimum iron</b>		<b>Max. load 4.0 kg*</b>
<b>Normal, Hand iron</b>		
Use for	Minimum iron items made of cotton, synthetic or mixed fibre, e.g.: workwear, tunics, tops, dresses, trousers, table linen and socks.	

\* Weight of dry laundry

\*\* Note for Test Institutes:

Test programme in accordance with Regulation 392/2012/EU for energy labelling measured in accordance with EN 61121.

# Programme chart

<b>Delicates</b>		<b>Max. load 2.5 kg*</b>
<b>Normal, Hand iron</b>		
Use for	Delicate items with the  symbol on the care label made of synthetic fibre, mixed fibre, rayon and easy care cotton, e.g. shirts, blouses, lingerie and appliqued garments.	
Note	Reducing the load will reduce creasing.	
<b>Woollens handcare</b>		<b>Max. load 2.0 kg*</b>
Use for	Woollen garments and fabric containing wool blends, e.g. pullovers, jackets and socks.	
Note	<ul style="list-style-type: none"> <li>– Wool and wool blend items are only fluffed up; they are not dried completely.</li> <li>– Remove garments as soon as the programme has finished.</li> </ul>	
<b>Shirts</b>		<b>Max. load 2.0 kg*</b>
<b>Normal, Hand iron</b>		
Use for	Shirts and blouses	
<b>Express</b>		<b>Max. load 4.0 kg*</b>
<b>Extra dry, Normal, Hand iron, Machine iron</b>		
Use for	Garments suitable for the <i>Cottons</i> programme.	
Note	The programme duration is shorter.	

\* Weight of dry laundry



## Programme chart

<b>Denim</b>		<b>Max. load 3.0 kg*</b>
<b>Normal, Hand iron</b>		
Use for	Denim garments, e.g. jeans, jackets, skirts, shirts	
<b>Outerwear</b>		<b>Max. load 2.5 kg*</b>
<b>Normal, Hand iron <math>\delta</math></b>		
Use for	Outerwear which is suitable for drying in a tumble dryer.	
<b>Proofing</b>		<b>Max. load 2.5 kg*</b>
<b>Normal</b>		
Use for	Drying microfibre fabric, skiwear, outerwear, fine, closeweave cotton garments (poplin) or tablecloths which are suitable for drying in a tumble dryer and have been treated to provide a water and dirt resistant finish.	
Notes	<ul style="list-style-type: none"> <li>– This programme includes a proofing fixing phase.</li> <li>– Only use proofing agents containing fluorochemical compounds which are stated by the manufacturer as being “suitable for use on membrane textiles”.</li> <li>– Do not dry items which have been treated with proofing agents containing paraffin. Fire hazard!</li> </ul>	

\* Weight of dry laundry

# Programme chart


<b>Pre-ironing</b>		<b>Max. load 1.0 kg*</b>
<b>Normal, Hand iron</b>		
Use for	<ul style="list-style-type: none"> <li>– Cotton and linen fabric</li> <li>– Minimum iron items made of cotton, synthetic or mixed fibre, e.g. trousers, jackets, shirts.</li> </ul>	
Note	<ul style="list-style-type: none"> <li>– Smooths out creasing caused during the spin cycle in the washing machine.</li> <li>– Also suitable for dry fabrics.</li> <li>– Remove the garments as soon as the programme has finished.</li> </ul>	
<b>Warm air</b>		<b>Max. load 8.0 kg*</b>
Use for	<ul style="list-style-type: none"> <li>– Completing the drying process with multi-layered fabric whose layers have different drying characteristics, e.g. jackets, pillows, sleeping bags and other voluminous items.</li> <li>– For drying individual items, e.g. bath towels, bathing costumes and tea towels.</li> </ul>	
Note	Do not select the longest drying time to start with. Check the items as you are drying them to find the optimum time.	
Tip	Use <i>Warm air</i> to eliminate or reduce odours in clean cotton garments (duration 1/2 - 1 hour). The refresh effect is increased when the laundry is dampened before drying or when a fragrance flacon (available as optional accessory) is used. The Warm air programme is not as effective at removing odours from garments that are made of synthetic fibres.	

\* Weight of dry laundry


# Changing the programme sequence

You cannot change to another programme once a programme has started (this prevents unintentional alterations).

If you try to change a programme, -P- lights up until the original programme is reset.

Exception: if the programme selector is turned to the  position, the dryer will switch off.

You will need to cancel the current programme before you can select a new one.


 Bear in mind that hot steam can escape after the door is opened.

## Cancelling a programme while it is running and selecting a new programme

- Touch the *Start/Stop* sensor.

The items will be cooled down, as long as a certain drying time and drying temperature has been reached.

If you press *Start/Stop* again during this time, 0:00 will light up.

- To cancel, turn the programme selector to .
- Select and start a new programme straight away.

## Adding or removing laundry after a programme has started

- Touch the *Start/Stop* sensor.

The items will be cooled down, as long as a certain drying time and drying temperature has been reached.

If you press the *Start/Stop* sensor again during this time, 0:00 will light up.

 Danger of burning.

Do not touch the back of the drum when adding or removing items. The drum and the items can be very hot.

- Add or remove items.
- Close the door.

To continue with the programme:

(select a drying level first of all, if necessary)

- Touch the *Start/Stop* sensor.

## Programme duration


Altering the programme sequence can cause the programme duration shown in the time display to be adjusted.


# Cleaning and care


## Emptying the condensed water container

The condensed water is collected in the condensed water container.

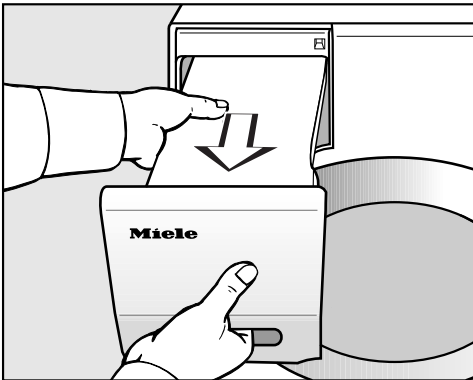
Empty the condensed water container after every drying programme.

The  indicator will light up if the maximum level of the condensed water container is reached.

To delete the  indicator: open and close the door with the dryer switched on.

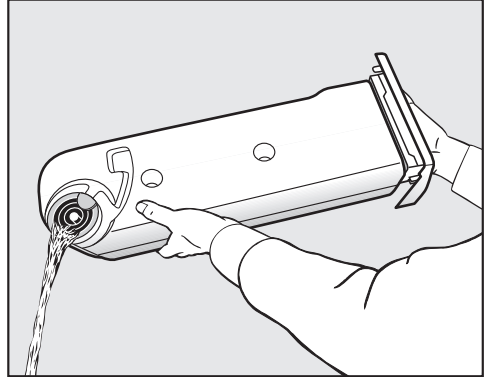
 To prevent damaging the door and the front of the condensed water container when pulling the container out of the dryer: always close the door completely\*.

\* This does not apply to right-hand hinged models.




- Pull out the condensed water container.

- To prevent water running out, hold it at the front and towards the back and keep it in a horizontal position when carrying it.



- Empty the container.
- Replace the container in the dryer.

 Condensed water should not be consumed. It could lead to health problems for people and animals.

Condensed water can be put to household use (e.g. used in a steam iron or humidifier). To ensure that any residual particles of fluff in the condensed water are removed before use, pass it through a fine sieve or paper filter first.

## Fluff filters

This tumble dryer has 2 fluff filters in the door opening: the upper and lower fluff filters trap fluff produced during the drying process.

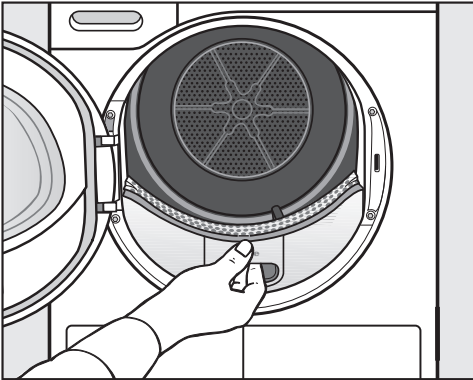
## Removing visible fluff

Remove any fluff after every drying cycle.

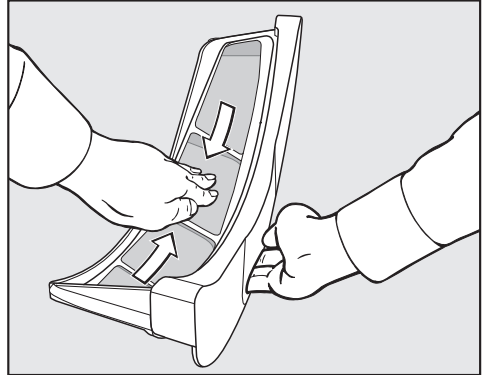
**Tip:** You can also use a vacuum cleaner so that you can remove the fluff without touching it.

- Open the door.

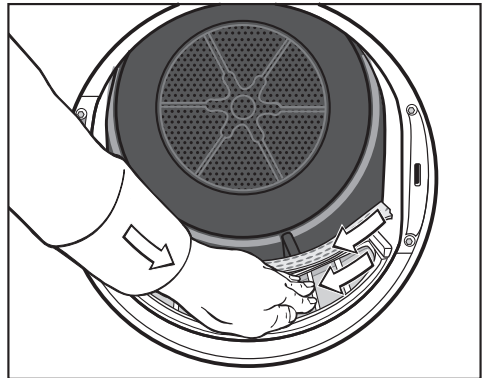
**⚠** You must remove the fragrance flacon (if present) beforehand. See “Fragrance flacon”.



- Pull the upper fluff filter forwards to remove it.



- Remove the fluff (see arrows) . . .



- . . . from the surfaces of all the fluff filters.
- . . . from the perforated laundry deflector.
- Push the upper fluff filter back into position until it clicks.
- Close the door.

**⚠** If there is a great deal of compacted fluff carry out the following procedure.

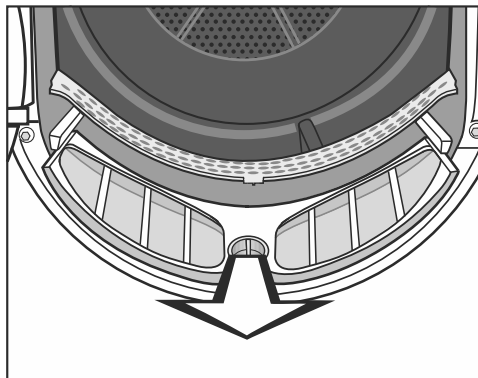
## Cleaning and care

### Cleaning the fluff filters and air flow openings thoroughly

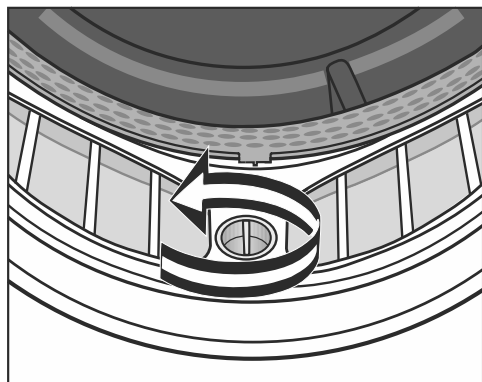
⚠ If the drying duration has become longer or the surface of the filters is visibly compacted with fluff, you should carry out the following cleaning procedure.

⚠ If using a fragrance flacon make sure you remove it beforehand.

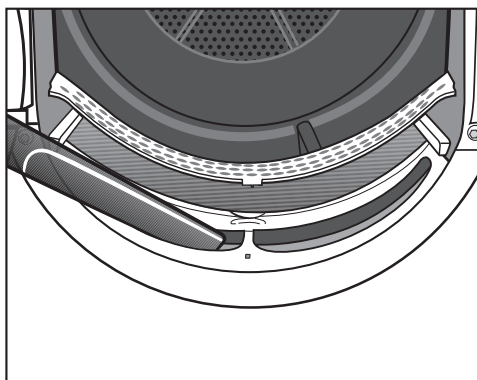
- Pull the upper fluff filter forwards to remove it.



- Hold the dial and pull the fluff filter forwards to remove it.




- Turn the yellow dial on the lower fluff filter in the direction of the arrow (until you hear it click).



- Use a vacuum cleaner with a long crevice nozzle attached to remove any visible fluff from the upper air flow openings.

## Cleaning the fluff filters with water


- Flush the fluff filters through with hot running water.
- Shake the fluff filters thoroughly and then dry them carefully.


 Ensure the filters are dry before replacing them. Wet filters could cause operational faults.

- Push the lower fluff filter in completely and lock it with the yellow dial.
- Push the upper fluff filter in completely.
- Close the door.

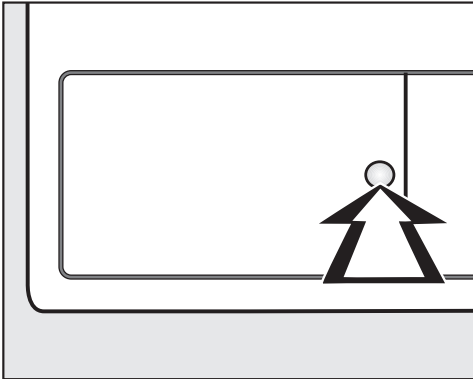
# Cleaning and care

## Plinth filter

Only clean the plinth filter when the  indicator lights up.

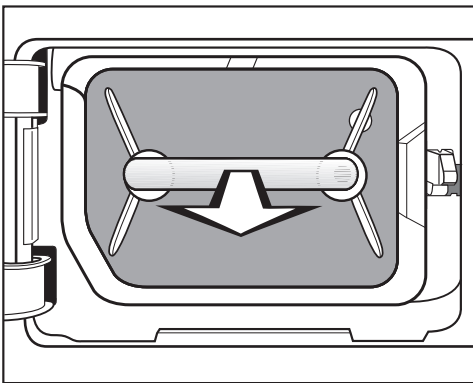
To turn the  indicator light off: open and close the door while the dryer is switched on.

### Removing the plinth filter



- Press the round, indented area on the heat exchanger access panel to open it.

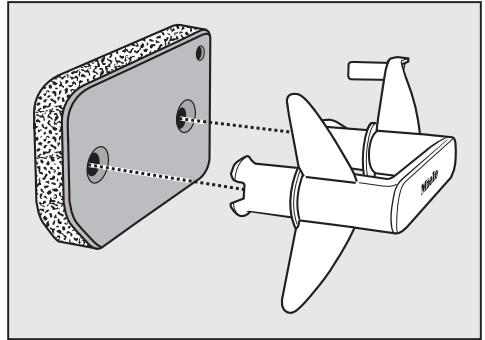
The panel will spring open.




- Pull the plinth filter out by the handle.

Removing the plinth filter will cause the right hand guide pin in the dryer to come out. This pin ensures that the heat exchanger access panel can only be closed if the plinth filter is inserted the right way round.

### Cleaning the plinth filter



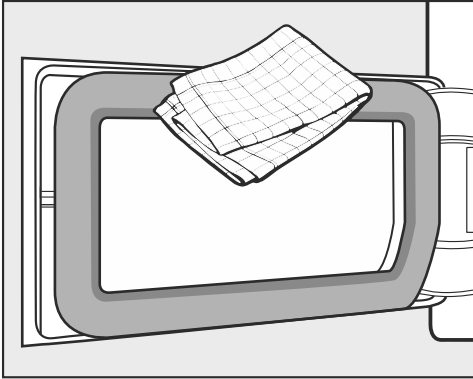
- Pull the handle out of the plinth filter.
- You can brush off a heavy build-up of fluff on the plinth filter or remove it with a vacuum cleaner.
- Clean the filter thoroughly under running water.
- Squeeze the plinth filter thoroughly.

 The plinth filter must not be replaced dripping wet as this can cause a fault.

- Use a damp cloth to remove any fluff from the handle.




## Cleaning the plinth filter panel




- Use a damp cloth to remove any fluff. Make sure that you do not damage the rubber seal when doing this.
- Check whether the cooling fins are blocked with fluff (as follows).

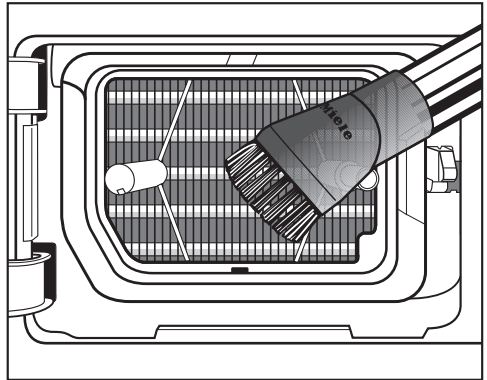
## Checking the condenser unit

 Danger of injury. Do not touch the cooling fins. You could cut yourself.

- Look to see if fluff has accumulated.

If there is visible soiling:

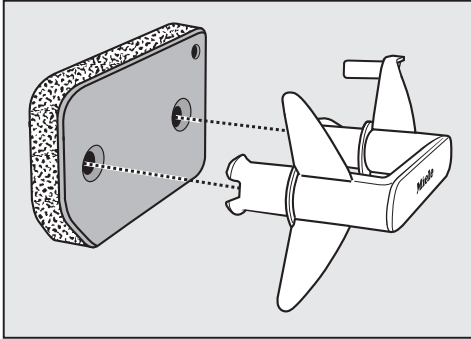
 Clean using a vacuum cleaner with a dusting brush attached. Carefully pass the vacuum cleaner brush over the heat exchanger cooling fins without applying any pressure. Otherwise the cooling fins could be bent out of shape or become damaged.



- Carefully vacuum up any visible fluff or soiling.

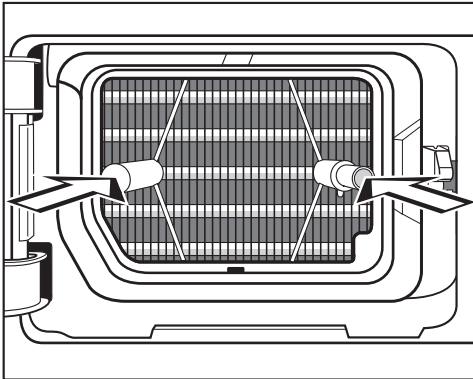
# Cleaning and care

## Replacing the plinth filter



- Fit the filter back on the handle. Make sure it is the correct way round.

To ensure that the filter is positioned correctly in the front of the heat exchanger unit:




- First insert the handle with the plinth filter attached over the two guide pins.
  - The word Miele on the handle must be the correct way up.

- Push the plinth filter in completely.

The act of pushing in the plinth filter will also push in the right hand guide pin.

- Close the heat exchanger access panel.

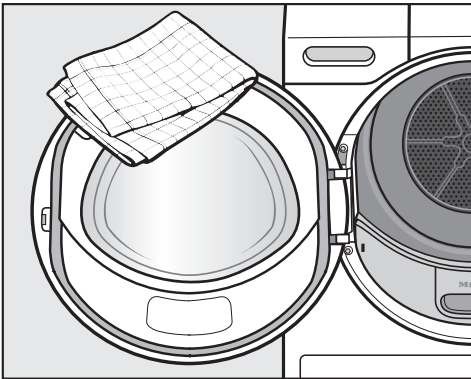
 The dryer can only be operated with the plinth filter fitted correctly and the heat exchanger access panel closed. The access panel must be closed correctly to ensure that water cannot leak from the condenser system and to ensure that the dryer functions efficiently.

## Tumble dryer

**⚠** Disconnect the tumble dryer from the mains electricity supply.

**⚠** Do not use solvents, abrasive cleaners, glass cleaners or all-purpose cleaners. These could damage plastic surfaces and other parts.

- Clean the tumble dryer with a slightly damp cloth and a mild non-abrasive cleaning agent or a solution of washing-up liquid and water.



- Clean the seal around the inside of the door with a damp cloth.
- Dry all parts with a soft cloth.
- The drum and other stainless steel parts can be cleaned with a suitable proprietary stainless steel cleaner following the manufacturer's instructions.

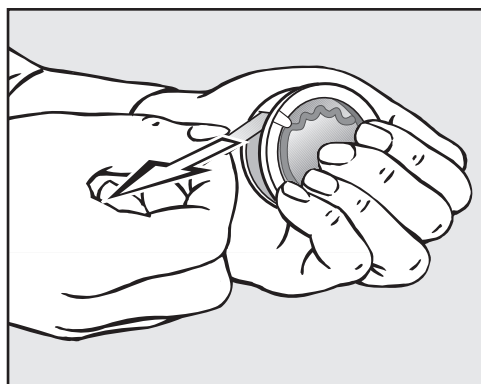
## Fragrance flacon

Using a fragrance flacon (optional accessory) will add a pleasant fragrance to your laundry.

⚠ Before using a fragrance flacon, please read “Warning and safety instructions - Using a fragrance flacon (optional accessory)”.

### Inserting a fragrance flacon

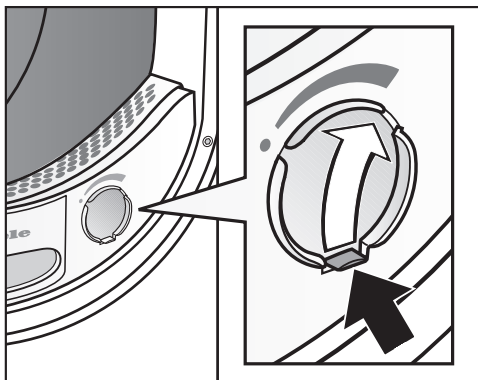
Only hold the fragrance flacon as illustrated. Do not hold it at an angle or tip it as the fragrance will leak out of the flacon.



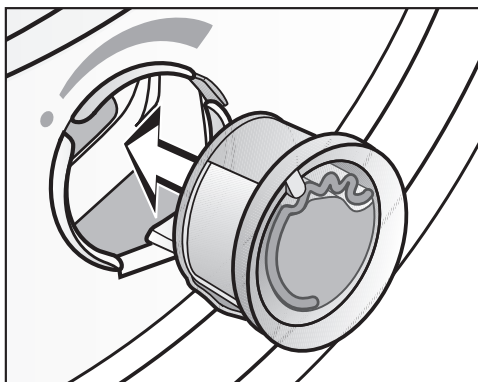
- Hold the flacon securely to prevent opening it by mistake.
- Pull off the protective seal.
- Open the door of the tumble dryer.

The fragrance flacon is inserted in the upper fluff filter in the opening on the right hand side beside the grip.

⚠ If you are not using a fragrance flacon: the cover must always remain closed (push the cover down completely with the tab).

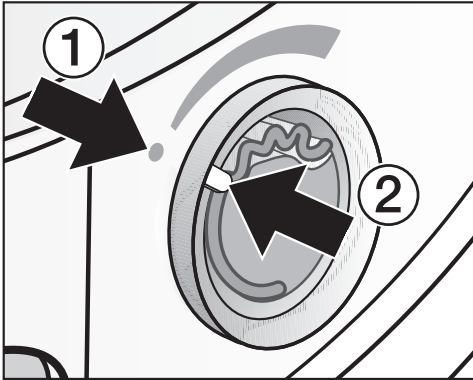


- Open the cover using the tab until the tab is at the top right hand side as shown.

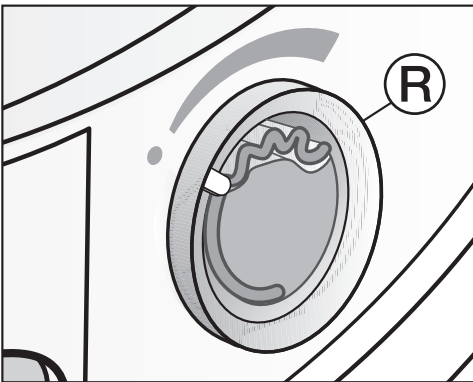


- Insert the flacon in the opening as far as it will go.

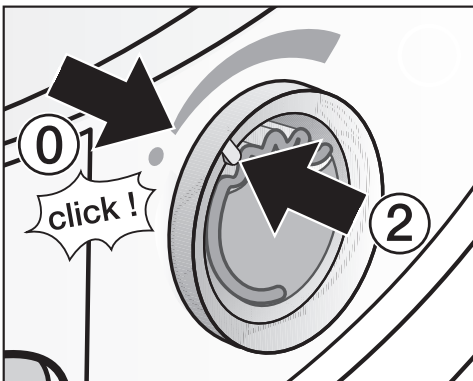
# Fragrance flacon



Markers ① and ② must line up with one another.



- Turn the outer ring (R) clockwise a little.

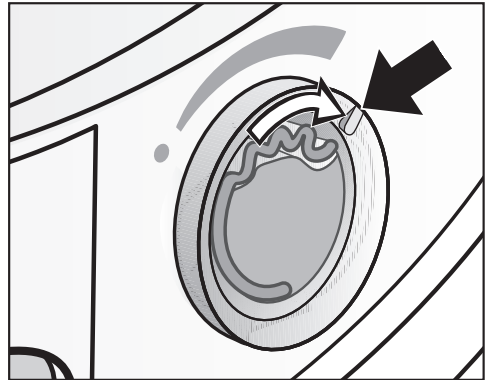


- You will feel a slight resistance and hear a soft click.

Marker ② must be in position ①: this is the position at which you can feel a resistance.

## Before drying

You can select the intensity of the fragrance.



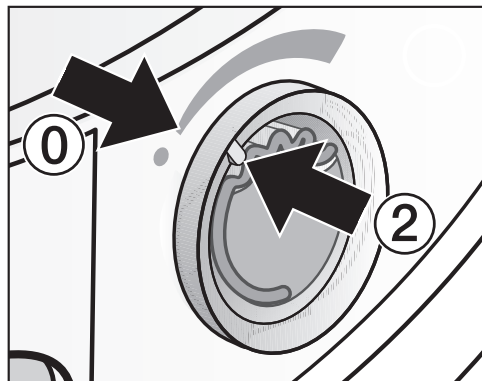
- Turn the outer ring clockwise: the further you open the flacon, the more intense the fragrance.

Damp laundry and longer drying durations with sufficient heat transfer are needed for the fragrance to be released into the laundry effectively. The fragrance will also be noticeable in the room air during the process.

# Fragrance flacon

## After drying

To avoid the fragrance escaping needlessly:



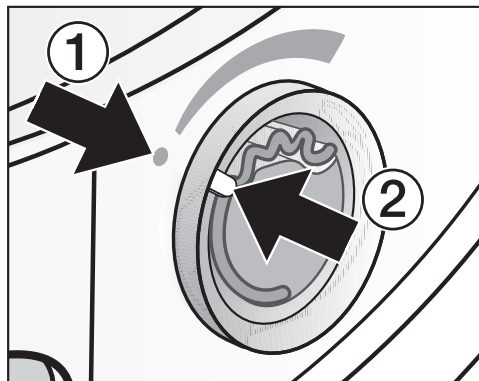
- Turn the outer ring anti-clockwise until marker ② is in position ①.

– You will feel a slight resistance.

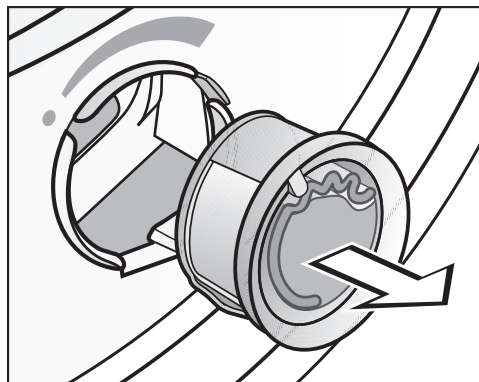
If you want to dry laundry without adding fragrance occasionally: remove the fragrance flacon and store it in its original packaging until you want to use it again. See the following section.

## Replacing the fragrance flacon

When the fragrance is no longer sufficiently intense:



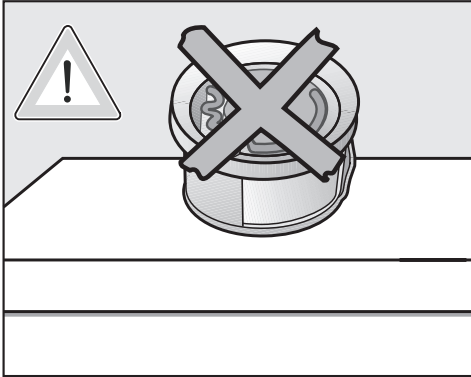
- Turn the outer ring anti-clockwise until markers ① and ② line up.



- Replace the fragrance flacon with a new one.

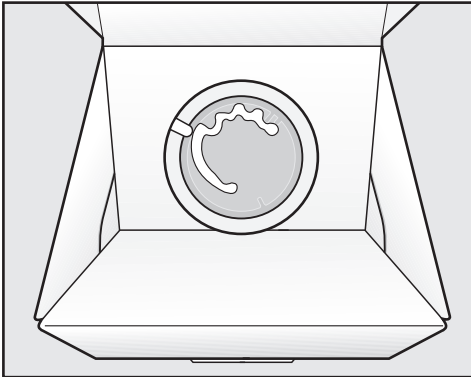
Fragrance flacons are available to order from Miele or online at [www.miele-shop.com](http://www.miele-shop.com).

# Fragrance flacon



⚠ Never lay the fragrance flacon down on any surface as the fragrance will leak.

**Only store the fragrance flacon in its original packaging**



- when storing the fragrance flacon in its original packaging whilst you are not using it, e.g. whilst cleaning the tumble dryer: to prevent the fragrance leaking do not store the packaging upright on its edge or upside down.
- store in a cool, dry place
- store away from direct sunlight

- when purchasing new fragrance flacons: only remove the protective seal just before use

## Cleaning the fluff filters

The intensity of the fragrance will be diminished if the fluff filters and the plinth filter are not cleaned.

⚠ The fragrance filter must be removed before cleaning the fluff filter.

⚠ To prevent any fragrance leaking out of the flacon: when not in use, the fragrance flacon must only be stored in its original packaging as illustrated.






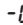
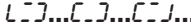
- Clean the fluff filters and the plinth filter: see “Cleaning and care”.

## Problem solving guide

Many malfunctions and faults that can occur in daily operation can be easily remedied. Time and money will be saved because a service call will not be needed.

The following guide may help you to find the reason for a malfunction or a fault, and to correct it.

### Check indicators and fault messages

Problem	Cause and remedy
 lights up after a programme has been cancelled and a signal sounds	<p>The condensed water container is full or there is kink in the drain hose.</p> <ul style="list-style-type: none"><li>■ Empty the container.</li><li>■ Check the drain hose.</li><li>■ See “Cleaning and care”.</li></ul> <p>To switch  off:</p> <ul style="list-style-type: none"><li>■ Open and close the door (while the dryer is switched on).</li></ul>
 lights up at the end of a programme	<p>There is a build-up of fluff.</p> <ul style="list-style-type: none"><li>■ Clean the fluff filters.</li><li>■ Clean the plinth filter.</li><li>■ See “Cleaning and care”.</li></ul> <p>To switch  off:</p> <ul style="list-style-type: none"><li>■ Open and close the door (with the dryer switched on).</li></ul> <p>You can influence when the  indicator lights up: see “Programmable functions”, “Airways indicator P20”.</p>
 lights up	<p>The programme selector has been moved.</p> <ul style="list-style-type: none"><li>■ Select the original programme. The time remaining will appear in the display again.</li></ul>
<b>Bars flash in the display at the end of a programme:</b> 	<p>The programme has finished but the laundry has not yet cooled down.</p> <ul style="list-style-type: none"><li>■ Either remove the laundry and spread it out to cool down or leave it in the tumble dryer to cool down during the cooling phase.</li></ul>



## Problem solving guide

Problem	Cause and remedy
<p><b>---</b> flashes/lights up after the tumble dryer has been switched on and a programme cannot be selected</p>	<p>Access via a code has been activated.</p> <ul style="list-style-type: none"> <li>■ See “Programmable functions - <i>P07</i> Code”.</li> </ul>
<p><b>F and 055</b> light up after a programme has been cancelled, a signal sounds</p>	<p>An excessive amount of fluff has built up.</p> <ul style="list-style-type: none"> <li>■ Clean the fluff filters.</li> <li>■ Clean the plinth filter.</li> <li>■ Clean the airways: the area underneath the plinth filter and the heat exchanger.</li> <li>■ See “Cleaning and care”.</li> </ul> <p>To switch <i>F 055</i> off:</p> <ul style="list-style-type: none"> <li>■ Switch the dryer off and then on again.</li> </ul>
<p><b>F and another number combination flash after a programme has been cancelled, a signal sounds</b></p>	<p>No obvious cause.</p> <ul style="list-style-type: none"> <li>■ Switch the dryer off and then on again.</li> <li>■ Start a programme.</li> </ul> <p>If the programme is cancelled again and an error message appears, there is a fault. Contact the Miele Service Department.</p>
<p><b>0:00</b> lights up and the programme has been cancelled, a signal sounds</p>	<p>The laundry is unevenly distributed or has rolled up.</p> <ul style="list-style-type: none"> <li>■ Disentangle the laundry and remove a few items, if necessary.</li> <li>■ Switch the dryer off and then on again.</li> <li>■ Start a programme.</li> </ul>

# Problem solving guide

---

## Unsatisfactory drying results

Problem	Cause and remedy
<b>The laundry is not sufficiently dry</b>	<p>The load consisted of different types of fabric.</p> <ul style="list-style-type: none"><li>■ Finish drying using the <i>Warm air</i> timed drying programme.</li><li>■ Select a different programme next time.</li></ul> <p>Tip: You can alter the drying levels for some programmes. See the “Programmable functions” chapter and the following sections, “<i>P01</i> Cotton drying levels” and “<i>P02</i> Minimum iron drying levels”.</p>
<b>Laundry or feather filled pillows smell after drying</b>	<p>The laundry was washed with insufficient detergent Feathers are a natural product and this is quite normal.</p> <ul style="list-style-type: none"><li>■ Laundry: use sufficient detergent next time.</li><li>■ Pillows: take out of the tumble dryer and air them.</li><li>■ Use a fragrance flacon (available as an optional accessory) for your favourite fragrance.</li></ul>
<b>Items made of synthetic fibres are charged with static electricity after drying</b>	<p>Synthetic fibres tend to attract static charge.</p> <ul style="list-style-type: none"><li>■ Static charge can be reduced by adding a fabric conditioner to the final rinse in the washing programme.</li></ul>
<b>There is a build-up of fluff</b>	<p>Fluff is principally the result of friction when garments are being worn and to some extent when they are being washed. Machine drying hardly causes any fluff to form.</p> <p>Fluff is collected by the fluff filters and the plinth filter and can be removed easily.</p> <ul style="list-style-type: none"><li>■ See “Cleaning and care”.</li></ul>

## Other problems

Problem	Cause and remedy
<p><b>The drying process goes on too long or even switches off *</b></p>	<p>The room in which the dryer is located is too warm.</p> <ul style="list-style-type: none"> <li>■ Ventilate the room thoroughly.</li> </ul>
	<p>Detergent residues, hair and fine fluff can clog the filters.</p> <ul style="list-style-type: none"> <li>■ Clean the fluff filters and the plinth filter.</li> <li>■ Remove any visible fluff behind the panel in the heat exchanger cavity (see “Cleaning and care - Plinth filter”).</li> </ul>
	<p>The cool air intake (bottom right grille) is blocked.</p> <ul style="list-style-type: none"> <li>■ Move any objects, such as a laundry basket, away from the dryer.</li> </ul>
	<p>The fluff filters and the plinth filter were wet when replaced.</p> <ul style="list-style-type: none"> <li>■ The fluff filters and the plinth filter must be dry.</li> </ul>
	<p>The laundry is too damp.</p> <ul style="list-style-type: none"> <li>■ Spin using a higher spin speed in the washing machine.</li> </ul>
	<p>The tumble dryer has been overloaded</p> <ul style="list-style-type: none"> <li>■ Do not exceed the maximum load for the programme selected.</li> </ul>
	<p>Metal zips have prevented the dryer from registering the correct moisture level.</p> <ul style="list-style-type: none"> <li>■ Open the zips next time.</li> <li>■ If the problem recurs, dry these items using the <i>Warm air</i> timed drying programme.</li> </ul>
	<p><b>* Before starting another programme:</b></p> <ul style="list-style-type: none"> <li>■ Switch the dryer off and then on again.</li> </ul>
<p><b>There are humming noises</b></p>	<p>The compressor is operating. These noises are quite normal and do not indicate a fault.</p>

## Problem solving guide

Problem	Cause and remedy
<b>A programme does not start</b>	<p>No obvious cause.</p> <ul style="list-style-type: none"><li>■ Connect the tumble dryer to the mains</li><li>■ Turn on the tumble dryer</li><li>■ Close the door</li><li>■ Check whether the mains fuse has tripped</li></ul> <p>Has there been a power cut? When power is restored any previously running programme will restart automatically.</p>
<b>Only the <i>Start/Stop</i> sensor is now flashing</b>	<p>10 minutes after the end of the programme, the <i>Start/Stop</i> sensor will begin to flash and the display will go out: energy saving. This is not an error but a normal function.</p> <p>The drum will turn at intervals in the anti-crease phase.</p> <ul style="list-style-type: none"><li>■ Touch a sensor to switch on the indicators.</li></ul> <p>See the “Programmable functions”, chapter, “<i>P//</i> Control panel switch-off status” section.</p>
<b>The dryer switches off at the end of the programme</b>	<p>The dryer switches off automatically: energy saving. This is not an error but a normal function.</p> <ul style="list-style-type: none"><li>■ To switch the dryer on, select a programme.</li></ul> <p>Tip: you can change this. See the “Programmable functions”, chapter, “<i>P/2</i> Dryer switch-off status” section.</p>
<b>The interior drum lighting does not come on</b>	<p>The drum lighting will switch off automatically ...</p> <ul style="list-style-type: none"><li>... when the door is closed.</li><li>... after a few minutes when the door is open (to save energy).</li></ul> <p>If the dryer is switched on, the drum lighting will come on when the door is opened.</p>

## Contact in case of malfunction

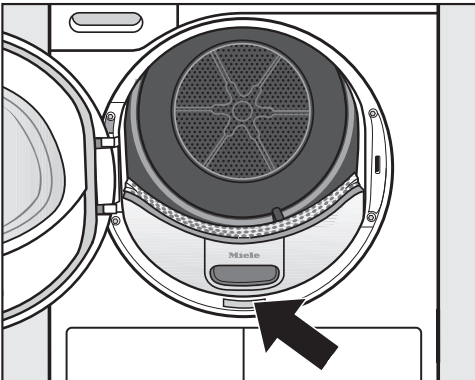
In the event of any faults which you cannot remedy yourself, please contact your Miele Dealer or Miele Service.

Contact information for Miele Service can be found at the end of this document.

Please note that telephone calls may be monitored and recorded for training purposes and that a call-out charge will be applied to service visits where the problem could have been resolved as described in this booklet.

Please quote the model and serial number of your appliance when contacting Miele. This information can be found on the data plate.

The data plate is visible when the door is open.



## Optional accessories

Optional accessories for this tumble dryer are available from Miele, your Miele dealer or via the internet at: [www.miele-shop.com](http://www.miele-shop.com).

### Dryer basket

The dryer basket is suspended in the drum and does not rotate with the drum. This enables items which must not be subjected to mechanical action to be dried or aired.

### Fragrance flacon

A fragrance flacon can be used in your tumble dryer to add a pleasant fragrance to your laundry.

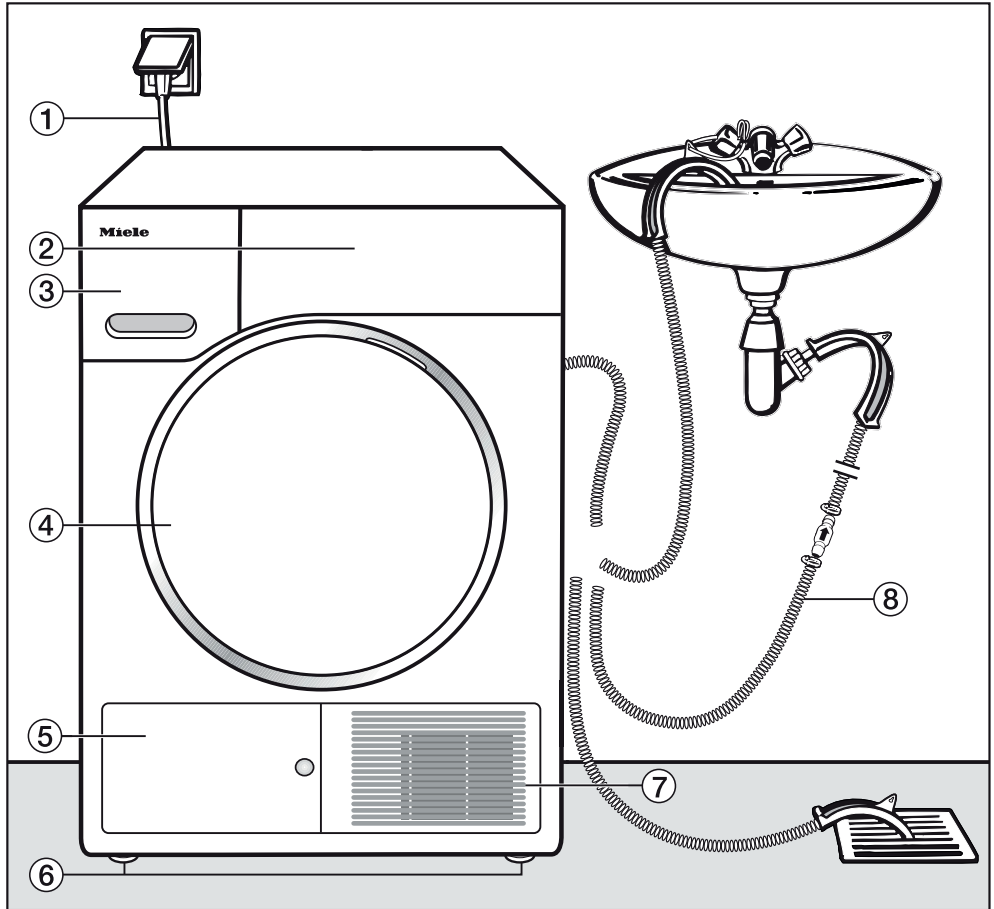
## Warranty

For information on the appliance warranty specific to your country please contact Miele. See back cover for address.

In the UK, your coffee machine warranty is valid for 2 years from the date of purchase. However, you must activate your cover by calling 0330 160 6640 or registering online at [www.miele.co.uk](http://www.miele.co.uk).

# Installation and connection

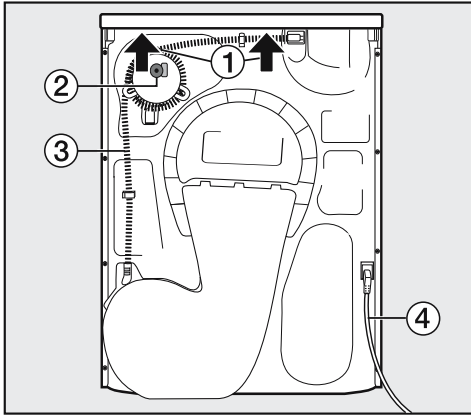
## Front view



- ① Mains connection cable
- ② Control panel
- ③ Condensed water container
  - empty after every drying cycle
- ④ Door
  - do not open during drying
- ⑤ Heat exchanger access panel
  - do not open during drying
- ⑥ Four height adjustable screw feet
- ⑦ Cool air intake grille
  - do not obstruct with a laundry basket or other objects
- ⑧ Hose for external drainage of condensed water

# Installation and connection

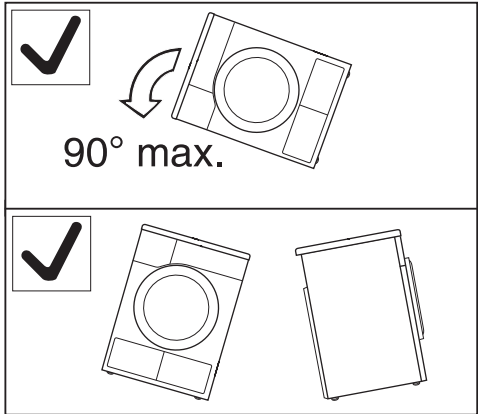
## Rear view



- ① Protruding lid for holding when moving the dryer (see arrows)
- ② Accessories for external drainage of condensed water: hose clip, adapter and hose holder
- ③ Hose for external drainage of condensed water
- ④ Mains connection cable

**!** Only transport the dryer as illustrated. If transporting the dryer on its side, it must be tipped towards the left side.

If the tumble dryer has not been transported as described, then it must be left to stand for at least 1 hour before it is connected to the electricity supply. Otherwise the heat pump can be damaged.



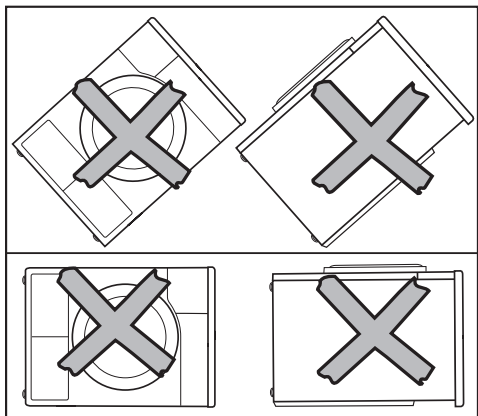
## Transporting the tumble dryer to its installation site

**!** Make sure the fixings at the back of the lid are secure. Otherwise there is a danger of the lid being pulled off when carrying the appliance.

Before carrying the appliance check that the lid is secure where it protrudes at the back of the appliance.

Before carrying the appliance check that the lid is secure where it protrudes at the back of the appliance.

- Carry the tumble dryer by the front feet and by the lid where it protrudes at the back of the appliance.

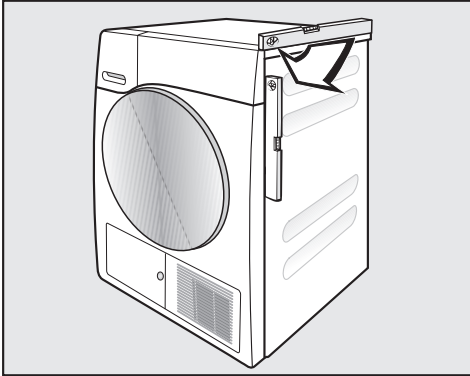


# Installation and connection

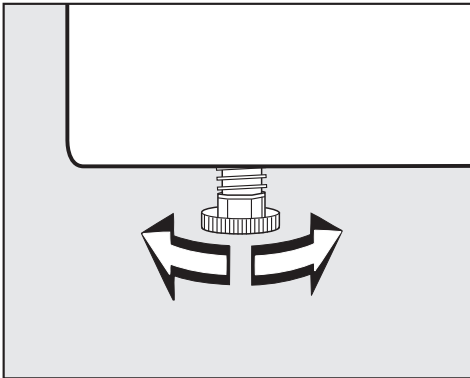
## Installation

### Levelling the dryer

⚠ Make sure the dryer door can be opened without hindrance after installation.



The appliance must stand perfectly level to ensure safe and proper operation.



The screw feet can be adjusted to compensate for unevenness in the floor.

## Ventilation

The cool air intake at the front of the tumble dryer must not be blocked or covered. This would hinder a sufficient intake of cool air for the heat exchanger.

Do not block the gap between the bottom of the tumble dryer and the floor with plinth facings, deep pile carpet etc. This would hinder a sufficient flow of air to the tumble dryer.

The hot air that is blown out from the heat exchanger warms the room air. Ensure sufficient ventilation of the room: e.g., open the window. The drying time will otherwise take longer (higher energy requirement).

### Before moving the tumble dryer again (e.g. when moving house)


After each use a small quantity of condensed water will collect in the area of the pump. This water can run out if the tumble dryer is tipped up when it is being moved. Recommendation: run the *Warm air* programme for approximately 1 minute before moving the tumble dryer. Any remaining condensed water will then be fed into the condensed water container or out through the drain hose.



## Additional installation requirements

### Pushing the dryer under a worktop

This tumble dryer is suitable for pushing under a worktop.

 It is very important to avoid a build-up of heat. The warm air which is expelled from the dryer must be able to dissipate. Warm air which cannot dissipate could cause a fault.

- The appliance lid cannot be removed.
- The electrical socket must be located in an accessible position near the appliance.
- Drying durations may increase slightly.

### Optional accessories

#### – Washer-dryer stack

The tumble dryer can be combined with a Miele washing machine in a washer-dryer stack. The appropriate Miele washer-dryer stacking kit is required.

#### – Plinth

The tumble dryer can be fitted on a plinth with drawer (please note the plinth may not be available in all countries).

# Installation and connection

## External condensed water outlet

### Notes

When drying is in progress, condensed water is pumped into the condensed water container through the drain hose which is located at the back of the dryer.


The condensed water can also be drained away via the drain hose so that the condensed water container does not have to be emptied.

Drain hose length: 1.60 m  
Maximum delivery head: 1.50 m  
Maximum drain hose length: 4.00 m

### The following optional accessories are available:

- an extension hose,
- a non-return valve kit for connection to an external water outlet. The kit includes an extension hose.

## Installation conditions requiring a non-return valve

 Danger of condensed water back-flow.

Water could flow back into the tumble dryer or be drawn into it. Back-flow water could damage the tumble dryer and also the room in which it is located.

The non-return valve should be used if the end of the hose is immersed in water, or if other water connections are installed.

Maximum delivery head with non-return valve fitted: 1.00 m


### Installation conditions requiring the fitting of a non-return valve:

- Drainage into a sink or floor gully where the end of the hose is immersed in water.
- Connection to a sink drain outlet.
- Connection to a drainage system already in use by another appliance, e.g. a dishwasher or washing machine.

If the non-return valve is incorrectly fitted the appliance will not drain. The non-return valve has to be fitted with the arrow on it pointing in the direction of flow.

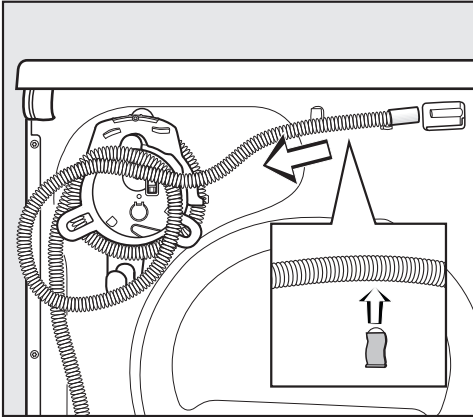
# Installation and connection

## Arranging the drain hose

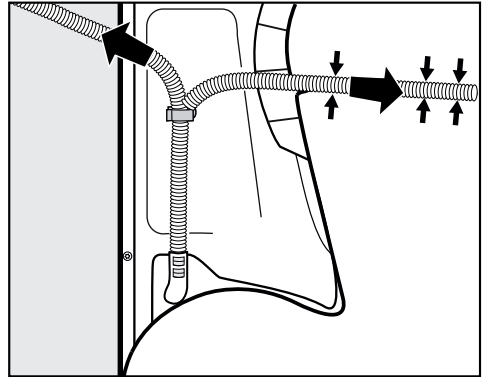
 Do not pull on the drain hose and do not stretch it or allow it to become kinked.

This could damage the hose.

There will be a small amount of residual water left in the drain hose. Have a container ready to collect this.



- Pull the drain hose off its connection.
- Unwind the hose and pull it carefully out of the holders.
- Allow any residual water to run into the container.



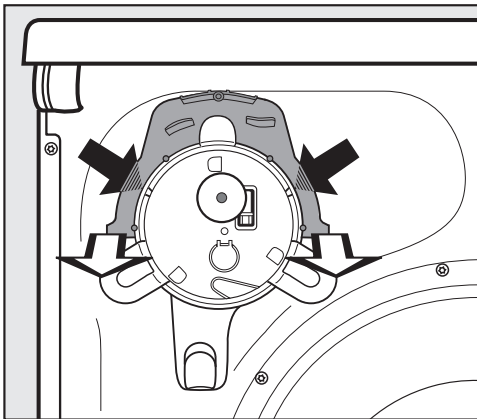
- Guide the hose to the right or left side of the dryer, as required.
  - If you are guiding it to the right you can fit the hose into the groove.
  - Leave the hose in the lower holder to prevent it from being kinked by mistake.

# Installation and connection

## Examples

### – Drainage into a sink or floor gully

Use the hose holder to prevent the drain hose from becoming kinked.



- Press the small catches on the left and right of the hose holder with your thumbs (black arrows) and ...
- ... pull the hose holder forwards to remove it (white arrows).\*

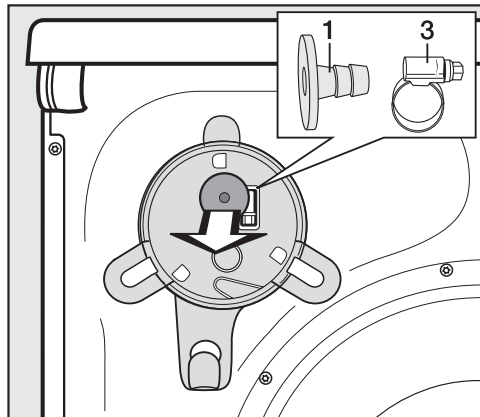
⚠ If you want to drain the water off into a sink or basin, you will need to secure the hose carefully, e.g. by tying it to a tap, to make sure it cannot slip during use (see the drawing under “Installation and connection - Front view”).

Overflowing water can cause damage.

- The non-return valve can be fitted in the end of the hose.

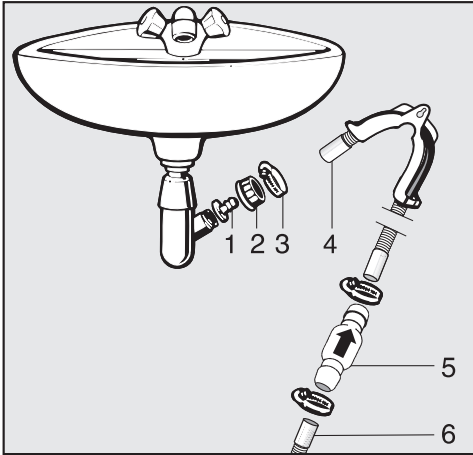
\* You can refit the hose holder at a later stage if you decide that you no longer want to drain the condensed water externally.

### Direct connection to a sink drain outlet



- Remove the following from the back of the dryer at the top: Adapter **1** and hose clip **3** behind it.
- Connect the drain hose as described below.

## Installation and connection



1. Adapter
2. Nut
3. Hose clip
4. End of the hose (secured with the hose holder)
5. Non-return valve
6. Tumble dryer drain hose

- Fit adapter **1** to the sink drain outlet using nut **2**.  
The nut is usually fitted with a washer which must be removed.
- Attach the end of the hose **4** to adapter **1**.
- Use the hose holder.
- Use a screwdriver to tighten hose clip **3** up close to the nut.
- Fit non-return valve **5** to tumble dryer drain hose **6**.

Non-return valve **5** has to be fitted so that the arrow points in the direction of flow (i.e. towards the sink).

- Secure the non-return valve using hose clips.

# Installation and connection

## Changing the door hinging

You can change the door hinging on this tumble dryer yourself.

For safety reasons the tumble dryer must be disconnected from the electricity supply before changing the door hinging.

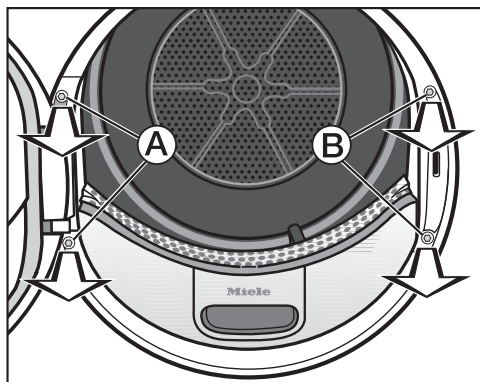
You will need:

- a Torx T20 and T30 screwdriver
- a flat head screwdriver or pointed pliers
- the lock catch cover supplied
- the door hinge cover supplied
- a soft surface (e.g. a tablecloth)

## Changing the hinging over

### 1. Remove the door from the dryer

- Open the door.



- Use a T30 Torx screwdriver to unscrew the two screws on the base plate of the door hinge (A).

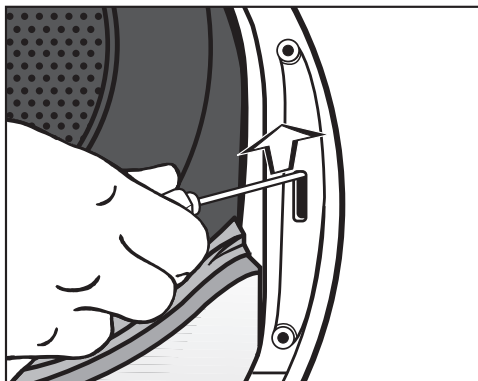
The door cannot fall off as it is held in place by 2 pins.

- Hold the door securely and pull it forwards: to remove the door you will need to pull the base plate of the hinge with its 2 pins out of the dryer.

To avoid scratching the door, place it outer side downwards on a soft surface (e.g. a tablecloth).

### 2. Change over the door lock on the dryer

- Use a Torx T30 screwdriver to unscrew the two screws on the door lock (B).

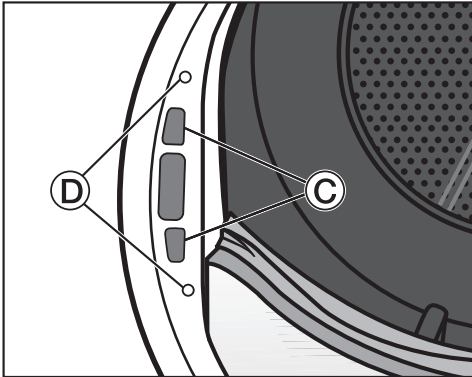


- Use the screwdriver to press the door lock upwards.

The door lock will spring out of its position and can then be removed.

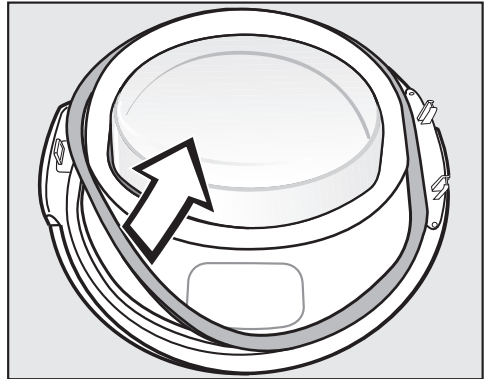
## Installation and connection

- Turn the door lock through 180°.

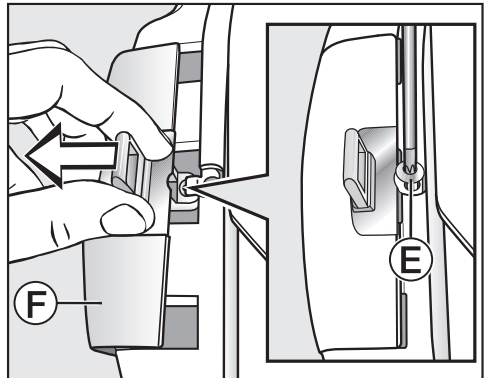


- Press the door lock into openings ③ on the opposite side of the door opening.
- Adjust the position of the door lock so that the screw holes line up with those in the front panel of the dryer ④.
- Secure the door lock with the two Torx screws.

### 3. Remove the lock catch from the door

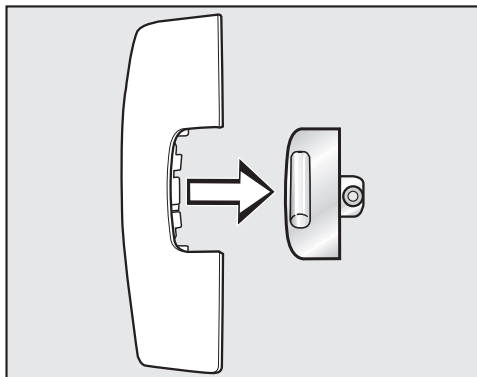


- First take the rubber seal off the door and place this to one side.



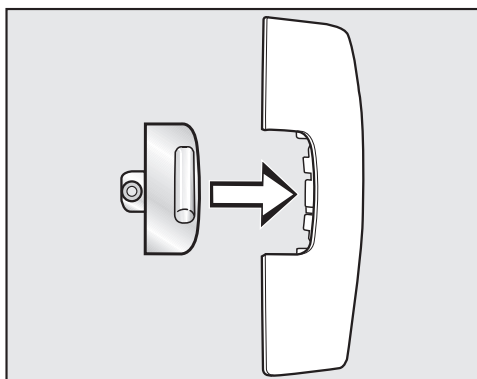
- Use a T20 Torx screwdriver to remove screw ⑤ on the lock catch.
- Pull off the lock catch together with lock catch cover ⑥.

## Installation and connection



- Remove the lock catch from the cover.

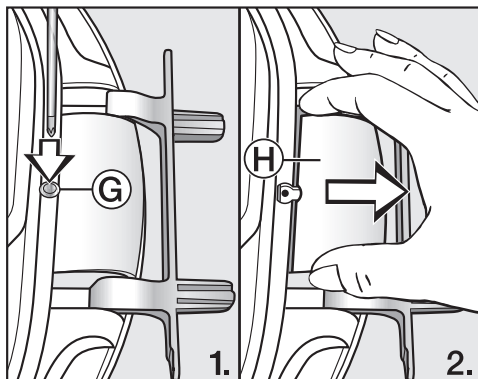
This lock catch cover is no longer needed, however, please keep it in a safe place.



- Insert the lock catch into the new cover supplied with the dryer.
- Place this new cover to one side for now.

### 4. Dismantle the door hinge from the door

The door hinge cover must be unclipped from position ⑥ and then removed.



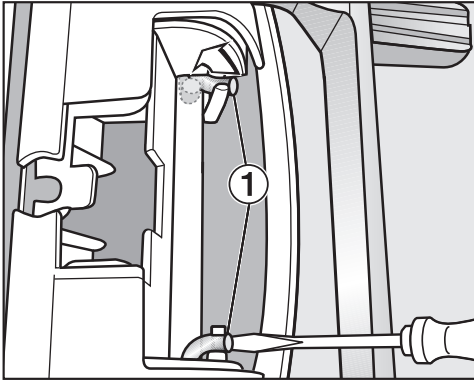
- Use a screwdriver to press down gently on position ⑥ on the door hinge cover.
- Using a little force, pull out door hinge cover ⑦.

This door hinge cover is no longer needed, however, please keep it in a safe place.

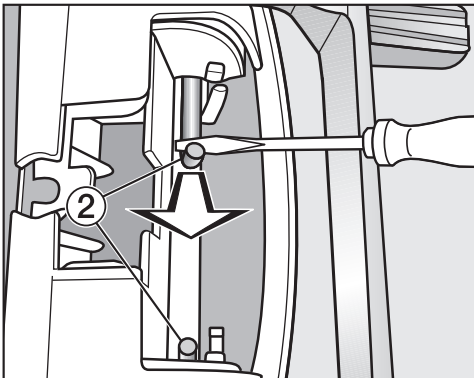


## 5. Change over the door hinge on the door

The door hinge is secured to the door with 2 angled rods. These rods need to be removed with a screwdriver or pointed pliers.



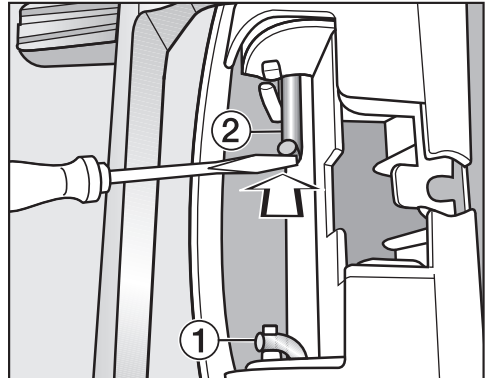
- Insert the end of the screwdriver blade under rod ① and rotate it so it is in an upright position. Do the same to the other rod.



- Use the screwdriver to guide first one then the other rod ② to the middle until each can be removed.

**Tip:** In some circumstances, the rods can be difficult to dislodge. Moving the screwdriver with a levering action while pulling at the same time may help to work the rods free.

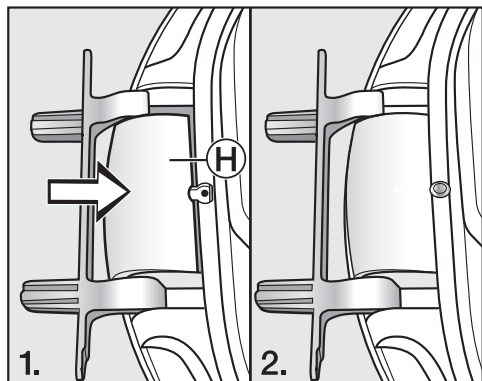
- Remove the door hinge and turn it through 180°.
- Refit the door hinge on the opposite side of the door.



- Secure the door hinge with the two rods ②.
- Position the screwdriver under the end of the rod and then push it into its resting position ①.

## Installation and connection

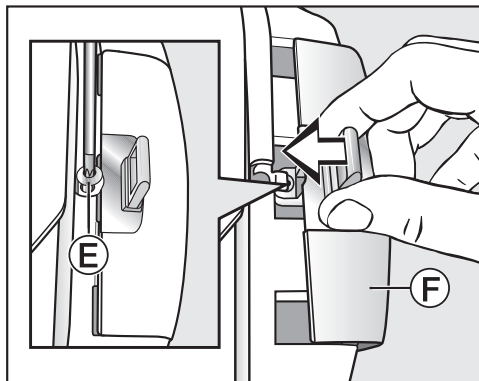
You now need the new door hinge cover supplied with the dryer.



- Fit new door hinge cover **H** and clip it into position.

### 6. Change the lock catch on the door

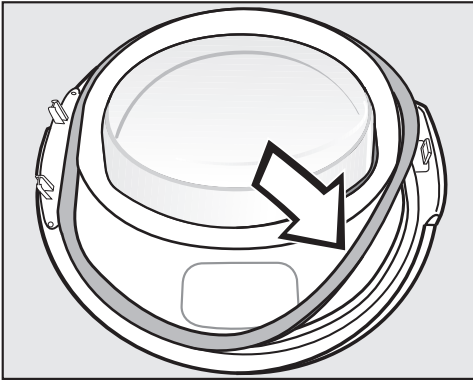
**!** You now need the new lock catch cover supplied with the dryer which you have already fitted with the lock catch.



- Push lock catch cover **F** with its lock catch into position.
- Tighten screw **E**.

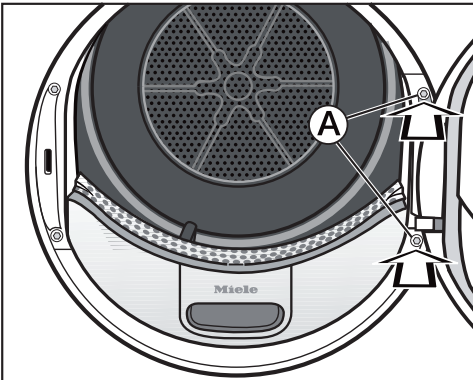
## Refitting

### 7. Refit the door



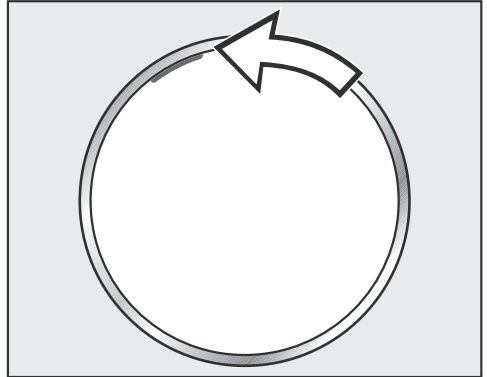
- Press the rubber seal back into the groove on the door.
- Position the door in front of the dryer.
- Fit the base of the door hinge with its 2 pins into the openings on the dryer.

The base of the door hinge must be flush with the front panel of the dryer. The door cannot fall off in this position.



- Screw the door securely to the dryer at the base of door hinge (A).

⚠ Now that you have changed the door hinging the door will open from the opposite side.



- Push the orange marker round to the other side so that you will see at which side to pull the door open.

### Important

⚠ Please keep the lock catch and door hinge covers which were no longer needed in a safe place. These will be required if, for example, you move house and need to change the door hinging back to its original position.

# Installation and connection

---

## Electrical connection U.K.

All electrical work should be carried out by a suitably qualified and competent person, in strict accordance with current national and local safety regulations (BS 7671 in the UK).

Ensure power is not supplied to the appliance until after installation work has been carried out.

The appliance is supplied with a mains cable with moulded plug ready for connection to a 230-240V mains supply.

Please ensure the connection data quoted on the data plate match the household mains supply.

Connection should be made via a suitable switched socket which is easily accessible after installation.

For extra safety it is advisable to protect the appliance with a suitable residual current device (RCD). Contact a qualified electrician for advice.

Do not connect via an extension lead. Extension leads do not guarantee the required safety of the appliance (e.g. danger of overheating).


## Non-rewireable plugs BS 1363

The fuse cover must be refitted when changing the fuse, and if the fuse cover is lost, the plug must not be used until a suitable replacement is obtained. The colour of the correct replacement cover is that of the coloured insert in the base of the plug, or the colour that is embossed in words on the base of the plug (as applicable to the design of plug fitted).

Replacement fuses should be ASTA approved to BS 1362 and have the correct rating. Replacement fuses and fuse covers may be purchased from your local electrical supplier.

**WARNING: THIS APPLIANCE  
MUST BE EARTHED**

# Consumption data

	Load <sup>1</sup>	Final spin speed in a domestic washing machine	Residual moisture	Energy	Duration
	kg	rpm	%	kWh	min
<b>Cottons</b>  <sup>2</sup>	8.0 4.0	1000 1000	60 60	1.41 0.78	177 106
<b>Cottons Normal</b>	8.0 8.0 8.0	1200 1400 1600	53 50 44	1.25 1.20 1.05	160 152 136
<b>Cottons Normal incl. Gentle tumble</b>	8.0	1000	60	1.47	188
<b>Cottons Hand iron</b>	8.0 8.0 8.0 8.0	1000 1200 1400 1600	60 53 50 44	1.20 1.05 1.00 0.85	154 135 126 107
<b>Minimum iron Normal</b>	4.0	1200	40	0.48	71
<b>Minimum iron Normal incl. Gentle tumble</b>	4.0	1200	40	0.48	71
<b>Proofing</b>	2.5	800	50	0.82	117
<b>Woollens handcare</b>	2.0	1000	50	0.02	5
<b>Express Normal</b>	4.0	1000	60	0.82	114
<b>Shirts Normal</b>	2.0	600	60	0.45	71
<b>Denim Normal</b>	3.0	900	60	1.00	146
<b>Outerwear Normal</b>	2.5	800	50	0.55	82
<sup>1</sup> Weight of dry laundry					
<sup>2</sup> Test programme in accordance with Regulation 392/2012/EU for energy labelling, measured in accordance with EN 61121					
All data was calculated using EN 61121 unless otherwise stated					

## Note for test institutes:

For testing in accordance with EN 61121, dry a 3 kg load of cotton laundry with 70% residual moisture as per the above standard using the *Cottons Normal* programme.

**Consumption data can vary from the nominal values given above depending on the size of the load, types of textiles, residual moisture levels after spinning and fluctuations in the electricity supply.**

## Technical data

---

Height	850 mm
Width	596 mm
Depth	643 mm
Depth with door open	1077 mm
Suitable for pushing under a worktop	Yes
Suitable for stacking	Yes
Weight	approx. 62 kg
Drum volume	120 litres
Load size	8.0 kg (weight of dry laundry)
Capacity of condensed water container	4.8 l
Hose length	1.60 m
Maximum delivery head	1.50 m
Maximum drain hose length	4.00 m
Length of connection cable	2.00 m
Voltage	See data plate
Connected load	See data plate
Fuse rating	See data plate
Test certificates awarded	See data plate
Energy consumption	See "Consumption data"
LEDs	Class 1

## Data sheet for household tumble driers

In acc. with delegated regulation (EU) No. 392/2012

MIELE	
Model name / identifier	TWE620 WP
Rated capacity <sup>1</sup>	8,0 kg
Type of tumble drier (Air-vented / condenser)	- / •
Energy efficiency class	
A+++ (most efficient) to D (least efficient)	A+++
Weighted annual energy consumption (AE <sub>c</sub> ) <sup>2</sup>	171 kWh/year
Tumble drier (Automatic / non-automatic)	• / -
Energy consumption of the standard cotton programme	
Energy consumption at full load	1,41 kWh
Energy consumption at partial load	0,78 kWh
Weighted power consumption in off-mode (P <sub>o</sub> )	0,40 W
Weighted power consumption in the left-on mode (P <sub>l</sub> )	0,40 W
Duration of the 'left-on' mode (T <sub>l</sub> ) <sup>3</sup>	15 min
Standard programme to which the information in the label and the fiche relates <sup>4</sup>	Cottons with arrow
Programme time of the 'standard cotton programme'	
Weighted programme time	136 min
Programme time at full load	177 min
Programme time at partial load	106 min
Condensation efficiency class <sup>5</sup>	
A (most efficient) to G (least efficient)	A
Weighted condensation efficiency for the 'standard cotton programme' at full and partial load	94 %
Average condensation efficiency of the 'standard cotton programme' at full load	93 %
Average condensation efficiency of the 'standard cotton programme' at partial load	94 %
Sound power level (L <sub>WA</sub> ) <sup>6</sup>	66 dB(A) re 1 pW
Built-in	-

• Yes, standard feature

<sup>1</sup> In kg of cotton laundry for the standard cotton programme at full load.

<sup>2</sup> based on 160 drying cycles of the standard cotton programme at full and partial load, and the consumption of the low-power modes. Actual energy consumption per cycle will depend on how the appliance is used.

## Technical data

---

- 3 If the household tumble drier is equipped with a power management system.
- 4 This programme is suitable for drying normal wet cotton laundry and is the most efficient programme in terms of energy consumption for cotton.
- 5 If the household tumble drier is a condenser tumble drier.
- 6 For the standard cotton programme at full load.



## Programming

You can use the programmable functions to alter the dryer's electronics to suit your requirements.

The programming is carried out in 8 steps (1, 2, 3 ... 8) using the sensor controls.

### Accessing the programming level

Before you begin, ensure that:

- The dryer is switched on: a programme is selected.
  - The door of the dryer is open.
- 1 Touch the *Start/Stop* sensor and hold it down during steps 2-3.
  - 2 Close the dryer door.

Wait until the *Start/Stop* sensor lights up constantly ...

- 3 ... and then release the *Start/Stop* sensor.

### Choosing and selecting a programmable function

The number of the programmable function will appear in the display as *P* and a number: e.g. *P01*.

- 4 Touch the > or < sensor to scroll to the next or previous programmable function:

Programmable function	
<i>P01</i>	Cotton drying levels
<i>P02</i>	Minimum iron drying levels
<i>P04</i>	Extended cool down
<i>P05</i>	Buzzer volume
<i>P06</i>	Keypad tone
<i>P07</i>	Lock code
<i>P08</i>	Conductivity
<i>P11</i>	Control panel switch-off status
<i>P12</i>	Dryer switch-off status
<i>P13</i>	Memory
<i>P14</i>	Anti-crease
<i>P19</i>	Buzzer
<i>P20</i>	Airways indicator
<i>P23</i>	Backlight brightness

- 5 Confirm the selected programmable function by pressing the *Start/Stop* sensor.

# Programmable functions

## Editing and saving the programmable function

You can either switch a programmable function on or off or select different options.

- ⑥ Touch the > or < sensor to switch the programmable function on/off or to select an option:

Programmable function	Available options							
	-00	-01	-02	-03	-04	-05	-06	-07
	P01		X	X	X	O	X	X
P02		X	X	X	O	X	X	X
P04	O	X	X	X	X	to		-09
P05		X	O					
P06	X	O						
P07	O	X						
P08		O	X					
P11	X		O					
P12		O	X	X				
P13	O	X						
P14	X	X	O					
P19	X	O						
P20	X	X	O	X				
P23		X	O	X	X	X	X	X


**X** = Can be selected

**O** = Factory default setting

- ⑦ Confirm the chosen selection with the *Start/Stop* sensor.

The number of the programmable function, e.g. *P01* will light up again.

## Exit programming level

- ⑧ Turn the programme selector to .

The option you have selected is now stored in memory. You can change it again at any time.

## P01 Cotton drying levels

You can adjust the drying levels for the *Cottons* programme to one of 7 different levels.

### Options

- 01 = even damper
- 02 = damper
- 03 = a little damper
- 04 = **Factory default setting**
- 05 = a little drier
- 06 = drier
- 07 = even drier

Exception:

The *Cottons*  programme will remain unchanged.

## P02 Minimum iron drying levels

You can adjust the drying levels for the *Minimum iron* programme to one of 7 different levels.

### Options

- 01 = even damper
- 02 = damper
- 03 = a little damper
- 04 = **Factory default setting**
- 05 = a little drier
- 06 = drier
- 07 = even drier

## P04 Extended cool down

The automatic cooling down phase which takes place before the end of a programme can be extended for all programmes with selectable drying levels in 2 minute increments up to 18 minutes. This makes the garments easier to handle.

### Options

- 00 = **Factory default setting**
- 01 = Cool down time 2 minutes longer
- 02 = Cool down time 4 minutes longer
- 03 = Cool down time 6 minutes longer
- 04 = Cool down time 8 minutes longer
- 05 = Cool down time 10 minutes longer
- 06 = Cool down time 12 minutes longer
- 07 = Cool down time 14 minutes longer
- 08 = Cool down time 16 minutes longer
- 09 = Cool down time 18 minutes longer

## P05 Buzzer volume

The buzzer volume can be changed. You will hear it as it changes.

- 01 = quieter
- 02 = **Factory setting**

## Programmable functions

---

### *P05* Keypad tone

With this setting, you can activate/deactivate a signal tone that will sound each time a sensor is touched.

The volume of the keypad tone will depend on the setting selected for “*P05* Buzzer volume”.

#### Options

-00 = off

-01 = **on (default setting)**

In the case of a selection that is not allowed, a negative signal tone sounds.

### *P07* Lock code

The lock code prevents your dryer being used without your knowledge.

When the code has been activated, you have to enter a code after switching the dryer on. Otherwise the dryer cannot be operated.

#### Options

-00 = **Off (factory default)**

-01 = On

If option -01 has been selected, after switching on you will have to enter the code before you can operate the dryer.

#### **To use the dryer when the code is activated**


After the dryer is switched on, --- will flash in the time display.

The code is 250 and cannot be altered.

- Touch the > sensor until a 2\_\_ flashes in the first position.
- Confirm with the *Start/Stop* sensor.
- Enter the two other numbers in the same way.

The dryer is ready for use after 250 has been entered and confirmed.

## P08 Conductivity

 This programmable function must only be set if the residual moisture reading in your laundry is incorrect due to extremely soft water.


### Options

-01 = **Off (factory default)**

-02 = Low

### Conditions

The Low option should only be set if the water used for washing the laundry is extremely soft with a conductivity reading (electrical conductivity) less than 150  $\mu\text{S}/\text{cm}$ . Contact your local water authority for the conductivity level of your mains water supply.

 Make sure that you only activate -02 for the condition described above.

Otherwise drying results can be unsatisfactory.

## P11 Control panel switch-off status

To save energy the time display and sensor controls will go out after 10 minutes, and only the *Start/Stop* sensor will be left flashing. You can alter this setting.

However, there is no switch-off in the event of a fault.

### Options

-00 = off

The time display and sensors will remain lit up while the dryer is switched on.


-02 = **on (default setting)**

The time display and sensors will go out after 10 minutes . . . . . if no further selection is made after switching the dryer on.

. . . after a programme has started.

However: the time display and sensors will remain lit up for 10 minutes after a delay start time has elapsed, after the end of the programme or at the end of the anti-crease phase.

### “Switch on” display again

- Turn the programme selector (not to ) or press a sensor control. Neither will have any effect on a programme which is running.
- Open the door while the dryer is switched on.

# Programmable functions

---

## P12 Dryer switch-off status

To save energy the dryer will switch off automatically after 15 minutes. You can extend or reduce this time.

The dryer will switch off automatically after 15, 20 or 30 minutes,

- if no further selection is made after switching the dryer on,
- following the end of the anti-crease phase,
- after a programme without an anti-crease phase has finished.

However, there is no switch-off in the event of a fault.

### Options

- 01 = **after 15 minutes (default setting)**
- 02 = after 20 minutes
- 03 = after 30 minutes

## P13 Memory

Settings you can make: the electronics can save a selected programme with a drying level or specific options in its memory. The duration of the *Warm air* programme is also saved. These settings will then appear the next time the programme is selected.

### Options

- 00 = **Off (factory default)**
- 01 = On

Exception:

The *Cottons*  programme will remain unchanged.

## P14 Anti-crease

The drum will continue to rotate in a special anti-crease rhythm for a maximum of 2 hours after the end of the drying process. This helps prevent creasing if laundry is not going to be removed immediately. You can reduce the duration of the anti-crease phase.

### Options

- 00 = no Anti-crease
- 01 = 1 hour
- 02 = **2 hours (default setting)**

## P19 Buzzer

The buzzer sounds to indicate the end of the programme. It can be switched on or off.

The continuous tone which sounds when there is a fault is independent of the buzzer.

### Options

-00 = off

-01 = **on (default setting)**

## P20 Airways indicator

Fluff should be removed after drying. In addition, this indicator will remind you to clean the filters when a certain amount of fluff has collected in them:




You can decide at what level of fluff this reminder should be given.


You will have an idea of how often this should be done after a few drying programmes.

### Options

-00 = Off


 does not light up. However, if there is a very severe blockage in the ducting, the programme will be cancelled and the error message *F 055* will appear in the display regardless of this option.

-01 = Heavy

 lights up when there is a heavy build-up of fluff.

-02 = **Normal (factory default setting)**

-03 = Light

 lights up when there is only a small build-up of fluff.

## P23 Backlight brightness

The brightness of the dimmed sensors in the control panel can be selected at seven different levels.

The brightness changes as soon as you select a different setting.

### Options

-01 = darkest level

-02 = **Factory default setting**

...

-07 = brightest level









## United Kingdom

Miele Co. Ltd.  
Fairacres, Marcham Road  
Abingdon, Oxon, OX14 1TW  
Customer Contact Centre Tel: 0330 160 6600  
E-mail: mielecare@miele.co.uk  
Internet: www.miele.co.uk

## Australia

Miele Australia Pty. Ltd.  
ACN 005 635 398  
ABN 96 005 635 398  
1 Gilbert Park Drive  
Knoxfield, VIC 3180  
Tel: 1300 464 353  
Internet: www.miele.com.au

## China

Miele (Shanghai) Trading Ltd.  
1-3 Floor, No. 82 Shi Men Yi Road  
Jing' an District  
200040 Shanghai, PRC  
Tel: +86 21 6157 3500  
Fax: +86 21 6157 3511  
E-mail: info@miele.cn  
Internet: www.miele.cn

## Miele (Hong Kong) Limited

41/F - 4101, Manhattan Place  
23 Wang Tai Road  
Kowloon Bay, Hong Kong  
Tel: (852) 2610 1025  
Fax: (852) 3579 1404  
Email:  
customerservices@miele.com.hk  
Website: www.miele.hk

## India

Miele India Pvt. Ltd.  
Ground Floor  
Copia Corporate Suites  
Plot No. 9, Jasola  
New Delhi - 110025  
Tel: 011-46 900 000  
Fax: 011-46 900 001  
E-mail: customercare@miele.in  
Internet: www.miele.in

**Manufacturer:** Miele & Cie. KG, Carl-Miele-Straße 29, 33332 Gütersloh, Germany

# Miele

## Ireland

Miele Ireland Ltd.  
2024 Bianconi Avenue  
Citywest Business Campus  
Dublin 24  
Tel: (01) 461 07 10  
Fax: (01) 461 07 97  
E-Mail: info@miele.ie  
Internet: www.miele.ie

## Malaysia

Miele Sdn Bhd  
Suite 12-2, Level 12  
Menara Sapura Kencana  
Petroleum  
Solaris Dutamas No. 1  
Jalan Dutamas 1  
50480 Kuala Lumpur, Malaysia  
Phone: +603-6209-0288  
Fax: +603-6205-3768

## New Zealand

Miele New Zealand Limited  
IRD 98 463 631  
Level 2, 10 College Hill  
Freemans Bay, Auckland 1011  
New Zealand  
Tel: 0800 464 353  
Internet: www.miele.co.nz

## Singapore

Miele Pte. Ltd.  
163 Penang Road  
# 04 - 03 Winsland House II  
Singapore 238463  
Tel: +65 6735 1191  
Fax: +65 6735 1161  
E-Mail: info@miele.com.sg  
Internet: www.miele.sg

## South Africa

Miele (Pty) Ltd  
63 Peter Place, Bryanston 2194  
P.O. Box 69434, Bryanston 2021  
Tel: (011) 875 9000  
Fax: (011) 875 9035  
E-mail: info@miele.co.za  
Internet: www.miele.co.za

## Taiwan

K.E. & Kingstone Co., Ltd.  
6th Fl., No. 120, Sec. 2  
Jianguo N. Rd.  
Taipei, Taiwan  
TEL: +886 2 2502-7256  
FAX: +886 2 2502-3077  
E-mail: kenk@kenk.com.tw  
Website:  
www.kenk.com.tw/ke/miele

## Thailand

BHIRAJ TOWER at EmQuartier  
43rd Floor Unit 4301-4303  
689 Sukhumvit Road  
North Klongton Sub-District  
Vadhana District  
Bangkok 10110, Thailand

## United Arab Emirates

Miele Appliances Ltd.  
Gold & Diamond Park  
Office No. 6-217  
Sheikh Zayed Road  
P.O. Box 11 47 82 - Dubai  
Tel. +971 4 3044 999  
Fax. +971 4 3418 852  
800-MIELE (64353)  
E-Mail: info@miele.ae  
Website: www.miele.ae

TWE 620 WP

en-GB

M.-Nr. 10 621 380 / 02