



### **Make even the most complex meals simple to prepare**

This large-capacity oven is specially designed to cook several different dishes at once, taking all the stress out of preparing a meal.

---

This large-capacity oven is specially designed to cook several different dishes at once, taking all the stress out of preparing a meal.

## Product Benefits & Features

### **When you want to start cooking right away**

With the pureflame gas burner, your pan reaches the right temperature straight away. Turn it on, and the entire base of your pan will instantly heat up.

- 1 rapid burner, 2 semi-rapid burners, 1 simmer burner
- 2 semi-rapid burners
- 1 simmer burner
- Enamel pan supports
- Stylish glass lid
- Top cavity features:
- Allows you to cook traditional food with perfect results
- Main oven features:
- Multi-zone oven
- Cooker features:

### **The effortless way to a clean oven**

You can keep this oven clean with doing hardly any cleaning. Its special catalytic lining absorbs grease before burning it up at high temperatures.

### **Get twice the cooking capacity with two oven cavities**

Let's face it – in the kitchen, you don't always have the luxury of being able to do things one at a time. Luckily, with two oven cavities, you can easily bake and grill simultaneously – getting your meal onto the table much faster.

### **Grilled food made easy**

Zanussi's electric grill lets you create delicious dishes with the oven door closed. It's built right into the cooker's cavity and works without gas. So there's no need for open doors. Simply prepare your food, let it cook to perfection and enjoy more space in your kitchen.

### **Free to relax**

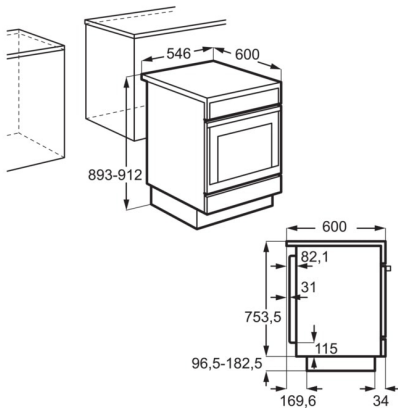
This cooker's minute minder will let you know when your food is ready – so just sit back and relax.

### Product Specification

Dimensions	899-917x550x600
Voltage	240
Total electricity loading, W	2400
Cord Length	1.6
Required Fuse	13
Cavity size	83
Volume usable, l	36
Largest Surface area	1254
Colour	Black
Self-Cleaning?	Catalytic
Cleaning Bottom Oven	Catalytic
Power Management	No
Energy class	A
Energy efficiency class	A
Energy consumption, conventional mode, kWh per cycle	1.8
Energy consumption per EU standard cycle	1.35
Right front - Power/Diameter	1000W/66mm
Right rear - Power/Diameter	1900W/80mm
Dial	3000W/109mm
Rear - Power/Diameter	1900W/80mm
Tray types included	No
Type of Trays - Bottom Oven	No
Grids	2 Flat shelf chromed wirework

Grids type - Bottom Oven	1 Flat shelf chromed wirework, 1 Grill pan grid chromed wirework
Runners	Grid Runners
Runners - Bottom Oven	Grid Runners
Gas supply: natural gas	G20 (2H) 20 mbar
ProdPartCode	All Open

PSGBCO190DE00002



PSGBCO190DE00005

