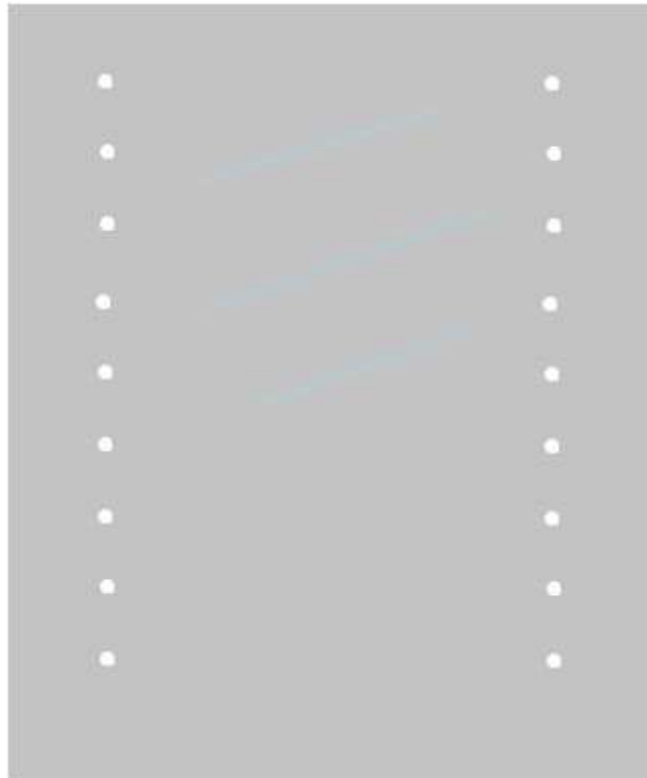




Thank you for choosing Better Bathrooms.  
Please read this manual before installing your product  
and keep for future reference.

**better  
bathrooms**

## WALL MOUNTED LED MIRROR



**BeBa\_27011**

**BeBa\_27012**

- LED LIGHTING
- BATTERY POWERED
- IP44 INGRESS PROTECTION

# CONGRATULATIONS ON YOUR PURCHASE

Our aim at Better Bathrooms is to bring you extraordinary bathroom products, for less.

If you're after a modern, traditional, or a totally unique style bathroom, we have the fittings and fixtures to bring your ideas to life, so you can fall in love with your space every day.

We hope you're happy with your new product. But if you experience any problems, we're always here to help.

- Call our friendly UK call centre on **0330 390 3062**  
(Lines open 9am-4.30pm Monday to Friday, or 9am-2pm Saturday).
- Send us a message via **[betterbathrooms.com](http://betterbathrooms.com)**.

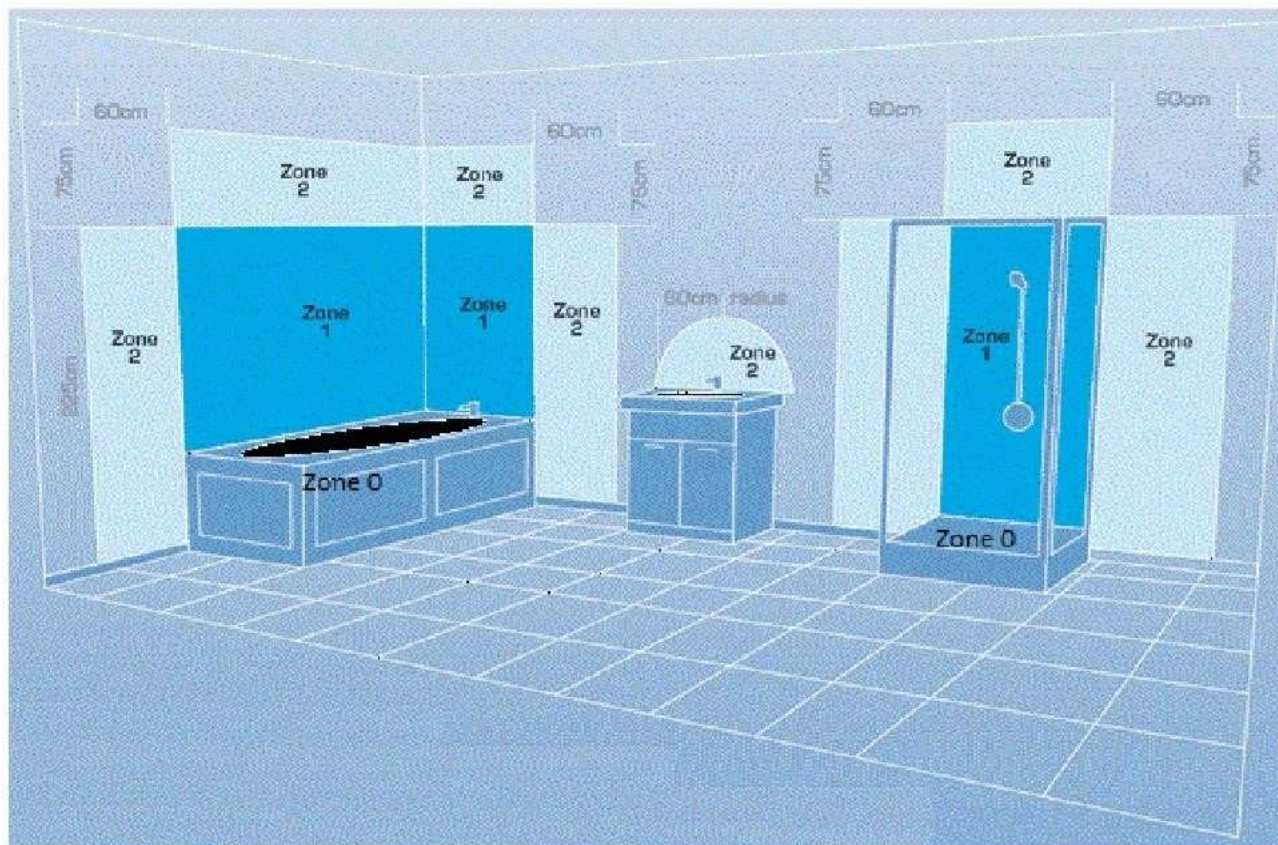
## CONTENTS

SAFETY	3
BATHROOM ZONES	4
PARTS SUPPLIED	5
TOOLS REQUIRED	5
INSTALLATION	6
OPERATION	9
CLEANING AND MAINTENANCE	9
TECHNICAL SPECIFICATIONS	9

## **SAFETY**

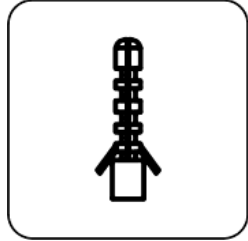
- This is for domestic, indoor use only.
- This product may contain delicate parts – be careful during handling and maintenance to avoid breakage.
- If any modification is made to the fitting will invalidate the warranty and may render the product unsafe.
- A defective appliance may cause electric shock. Never switch on a defective or damaged appliance. Disconnect the appliance from the mains before seeking assistance.
- This product is IP44 rated, and no part of the installation is allowed to be within bathroom Zones 0 or 1. Installation is permitted within Zone 2.
- Ensure that the hanging location has been decided upon and marked clearly to avoid unwanted damage to the wall due to incorrect positioning.
- Inspect the mirror to ensure there are no signs of damage prior to installation.
- Take care unpacking, do not use a sharp blade to open as this may damage the mirror and void your warranty.
- Once installed a bead of silicon can be applied between the mirror and the wall across the top and sides of the unit. Never seal the bottom of the mirror to the wall, as this may allow water to accumulate behind the mirror.

# BATHROOM ZONES

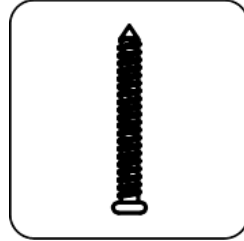


<b>Zone 0:</b>	The interior of the bathtub or shower basin.
<b>Zone 1:</b>	The area around the bathtub or shower basin up to a height of 2.25m above the floor
<b>Zone 2:</b>	The area stretching to 0.6m outside the bath or shower and above the bath or shower if over 2.25m

## PARTS SUPPLIED



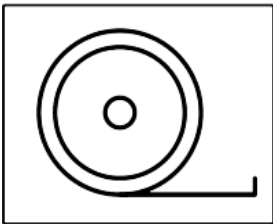
WALL PLUGS (X2)



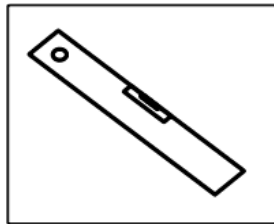
SCREWS M4 (X2)

PLEASE NOTE: It is the installers responsibility to ensure that the fittings are suitable for the type of wall. Alternative fittings may be required (Not Supplied). If unsure professional advice should be sought.

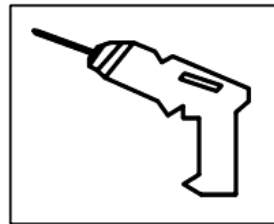
## TOOLS REQUIRED



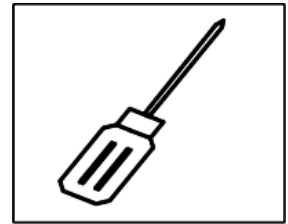
TAPE MEASURE



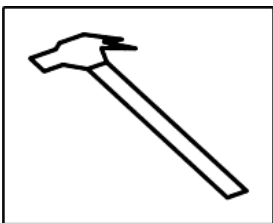
SPIRIT LEVEL



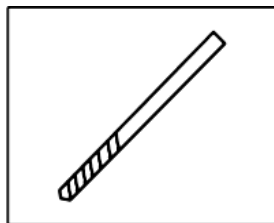
ELECTRIC DRILL



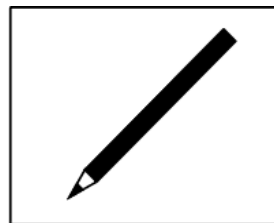
SCREWDRIVER



HAMMER



8mm DRILL BIT

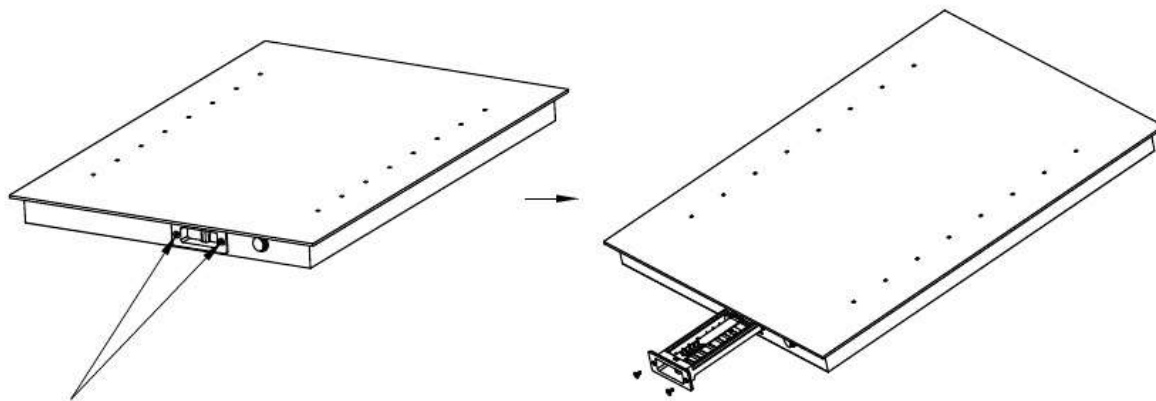


PENCIL

# INSTALLATION

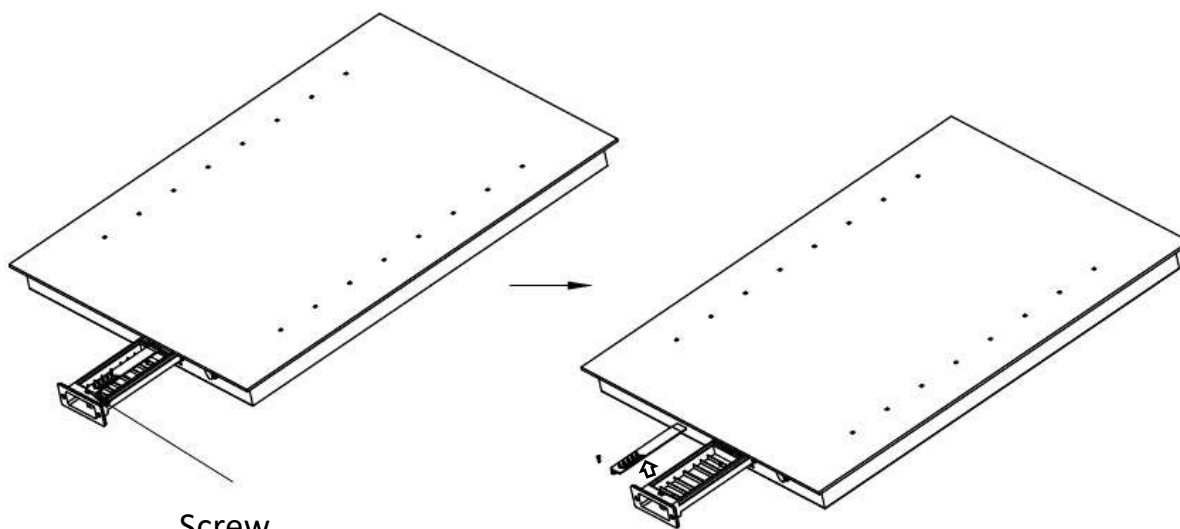
To install the batteries:

1. Unscrew the battery compartment from the side of the mirror and pull it out.



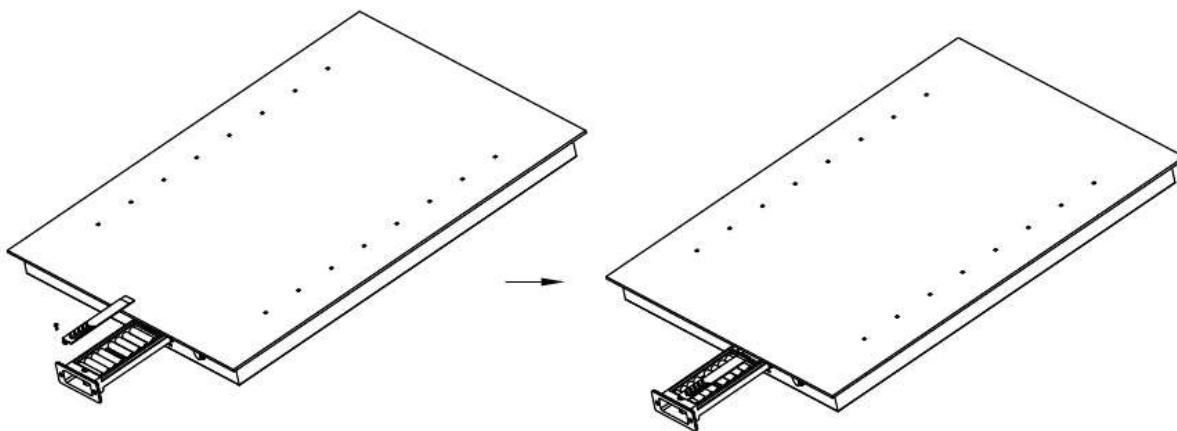
Unscrew

2. On top of the battery compartment is a cover held in place by a screw. Remove this screw.

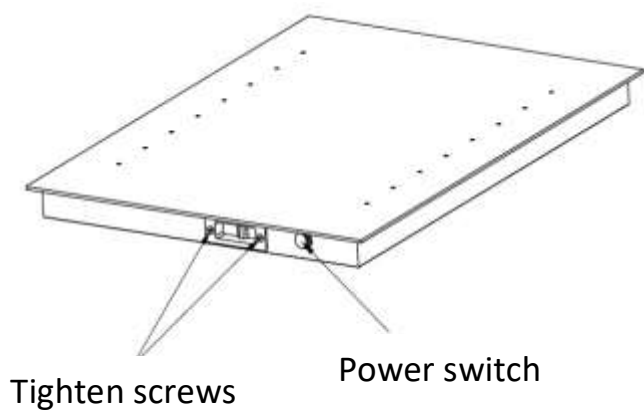


Screw

3. Add 8 x AA batteries (not included) into the battery compartment, then screw the cover back on.

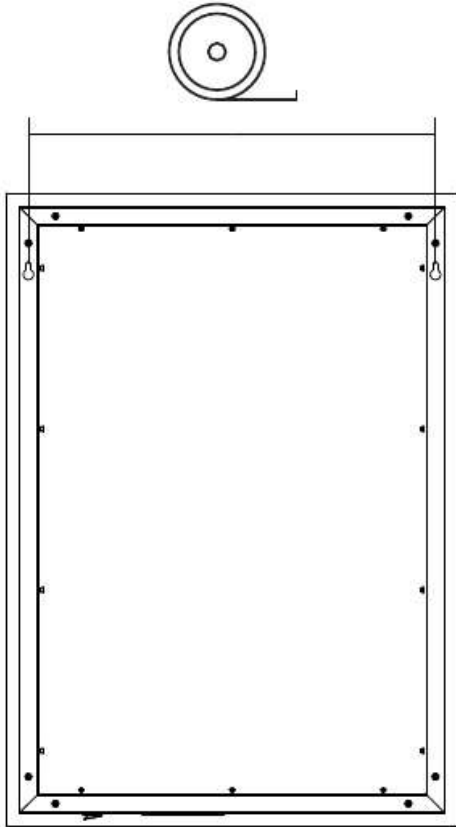


4. Replace the battery compartment in the side of the mirror, tighten the screws and press the button to test the operation of the lights.



## HANGING THE MIRROR

The mirror should be hung in portrait orientation. At the back of the mirror, there are 2 key holes on the vertical sides.



To hang the mirror, you will need to drill two holes into the wall, ensuring that there are no wires or pipes behind the wall before commencing.

1. Measure the distance between the two key holes.
2. Make a note of the distance and mark their position on the wall. Use a spirit level to ensure that the holes are level.
3. Drill the 2 holes into the wall at the position marked using a suitable drill bit.
4. Insert the wall plugs into the holes.
5. Insert the screws into the wall plugs, ensuring their heads are protruding by approximately 3mm.
6. Check to ensure the screws line up correctly and the mirror can be safely hung from them.
7. You will now be able to hang the mirror. Carefully lower the mirror onto the screws, ensuring that it is secure and will not slide.





## OPERATION

At the bottom right hand corner of the mirror is a round on/off switch. Use this to turn on and off the mirror's lights.

## CLEANING AND MAINTENANCE

Never use products containing bleach or abrasive cleaners, as these will have a detrimental effect on the appearance and lifespan of the product.

Use a clean micro fiber cloth to clean the mirror.

## TECHNICAL SPECIFICATION

Model	BeBa_27011	BeBa_27012
WxHxD (mm)	400x600x45	500x700x45
Net Weight (Kg)	3.75	5.2
IP Rating	IP44	
Input	8 x AA cells (not included)	

This product contains a light source of energy efficiency class F.

## DISPOSAL

Recycling facilities are now available for all customers at which you can deposit your old electrical products. Customers will be able to take any old electrical equipment to participating sites run by their local councils.

Please remember that this equipment will be further handled during the recycling process, so please be considerate when depositing your equipment. Please contact the local council for details of your local household waste recycling centers.



At the time of printing the product contains no substances listed within Annex XIV of the Reach Regulations (EC) 1907/2006. In accordance with Article 59 of the same regulation the following substances are contained within the product at permitted levels: Cadmium.

As a responsible manufacturer the regulations are monitored to ensure continued compliance. Further information can be provided upon request.

V20211214

### ***For more information***

- visit [betterbathrooms.com](http://betterbathrooms.com)
- email [customerservices@buyitdirect.co.uk](mailto:customerservices@buyitdirect.co.uk)
- call 0330 390 3062
- write to Trident Business Park, Neptune Way, Huddersfield, HD2 1UA

**better  
bathrooms**

Part of the BuyItDirect Group