

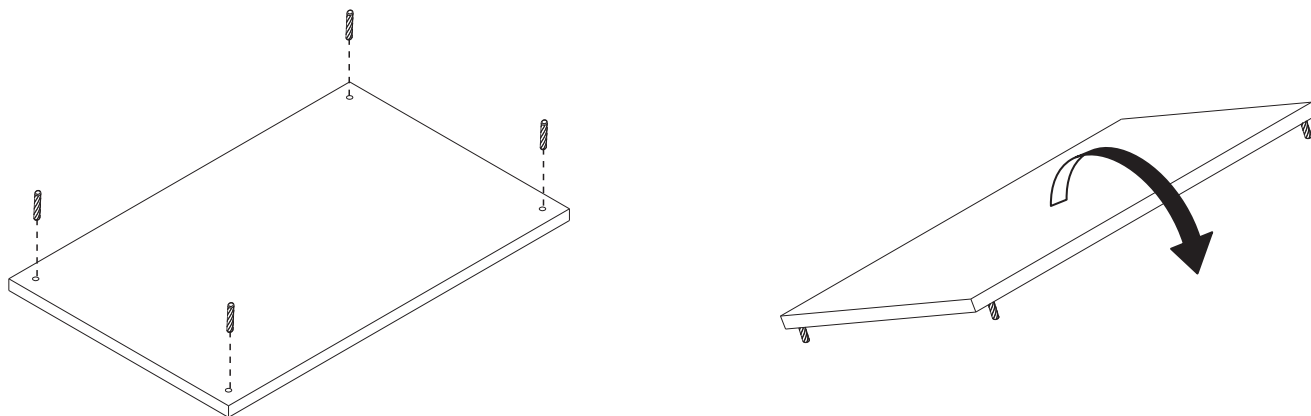
Top installation Guide

This product is water resistant but NOT waterproof, on no account should any spillages or splashes, even water, be allowed to lie on any surface, all spillages and splashes should be wiped dry failure to do so may shorten the life expectancy of the product and invalidate any guarantees.

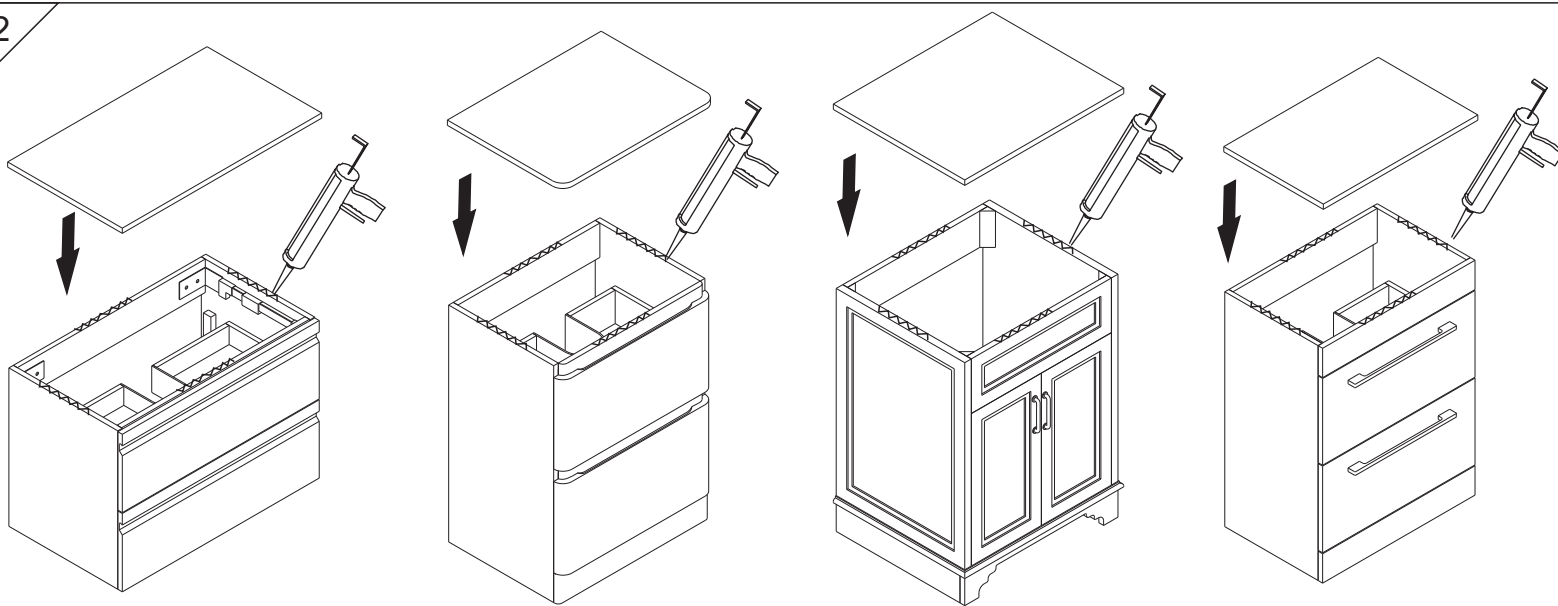
Where units or worktops have to be cut-out for service, all raw edges MUST be sealed against water ingress.

For cleaning, a damp soapy cloth will clean off most spills, Bleaches, scouring pads and multi-surface cleaners should not be used. Corrosive liquids and make-up should be wiped off immediately. On no account should any spillage, even water, be allowed to lie on the surface.

1



2



3

