

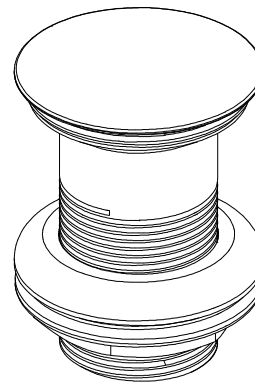
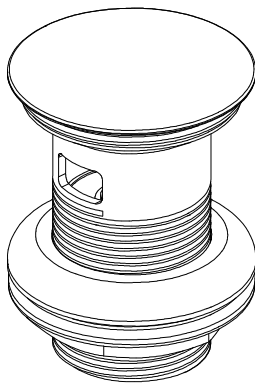
USER MANUAL



Thank you for choosing Better Bathrooms.
Please read this manual before installing your product
and keep for future reference.

better
bathrooms

Product name: Slotted and Unslotted Basin Waste



Please note: Image is for illustrative purposes only and may differ slightly to the actual product

- **Single-person assembly**
- **We always recommend using professional tradespeople to install your product**

V1_12.04.2024

Congratulations on your purchase

And welcome to our growing gang of savvy shoppers

We're on a mission to bring you extraordinary bathroom products, for less. From modern to traditional style ceramics, plus the gorgeous fixtures, fittings and furniture to match. So, you can fall in love with your space every single day .

As one of the UK's largest independent bathroom stores, we've received countless awards; including the National Business Awards UK, the Digital Entrepreneur Awards and being placed on The Sunday Times Fast Track 100.

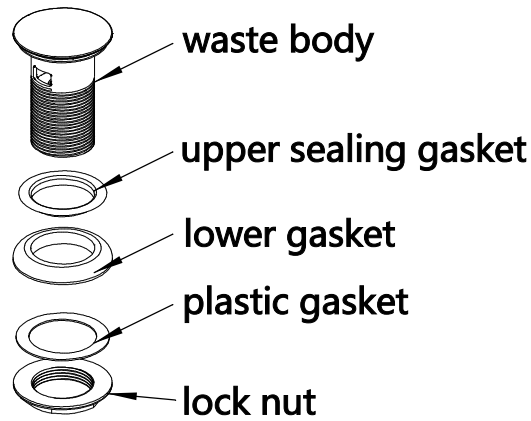
We hope your new product exceeds your highest expectations. However, if you experience any problems, please:

- **log in to your account and contact our customer services team via your self-serve portal-betterbathrooms.com/CustomerAccount/Login.**
- **contact us via-betterbathrooms.com/content/contact-us.**

Important information

- **Please read these instructions thoroughly and retain for future reference**
- **Manufactured to EN274 Waste fittings for sanitary appliances**

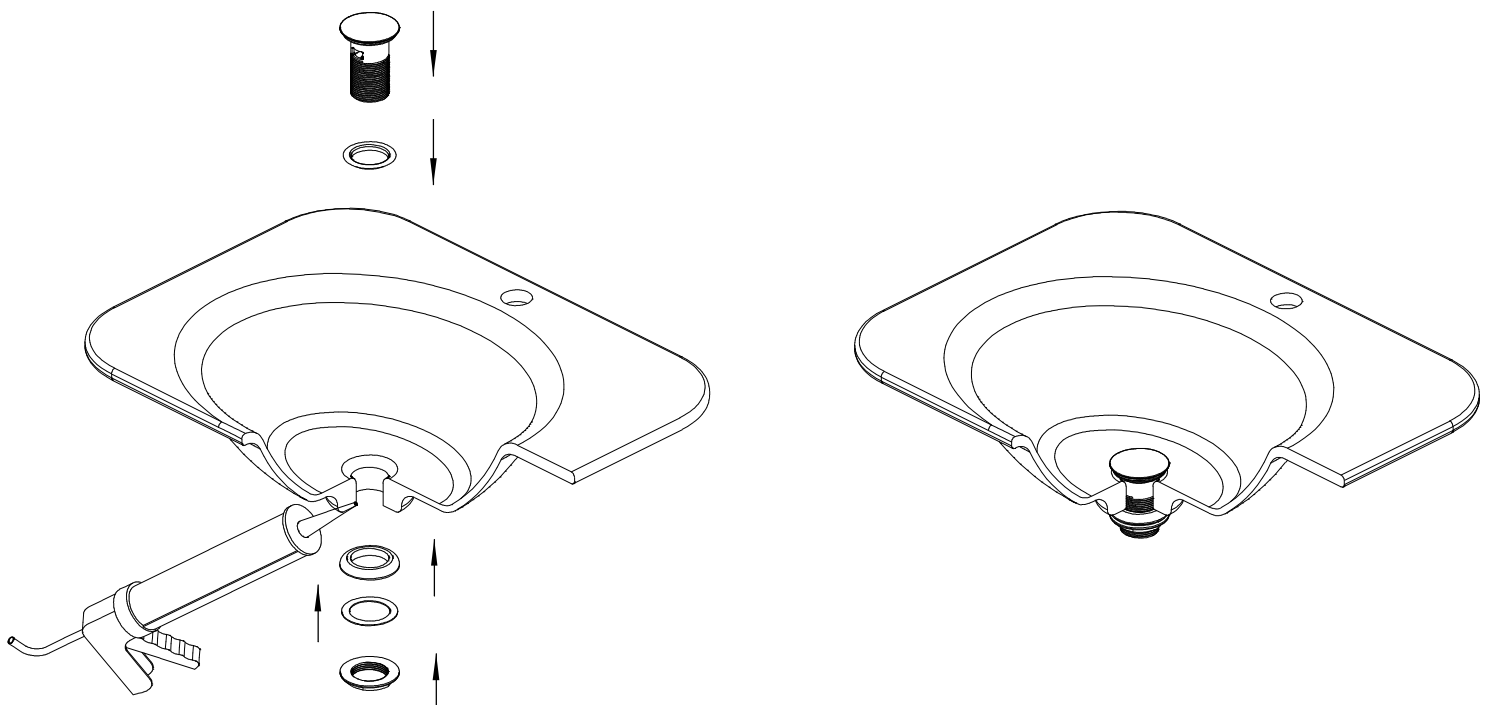
Parts



Please note that Parts are for illustrative purposes only and may differ slightly to the actual product

Installation

1. Fit the upper sealing gasket on the waste body and pass it through the mounting holes on the ceramic basin.
2. Then install the lower sealing gasket and the plastic gasket on the waste body and tight locking nut.
3. Fill the ceramic basin with water and check for leaks around the mounting holes of the ceramic basin.



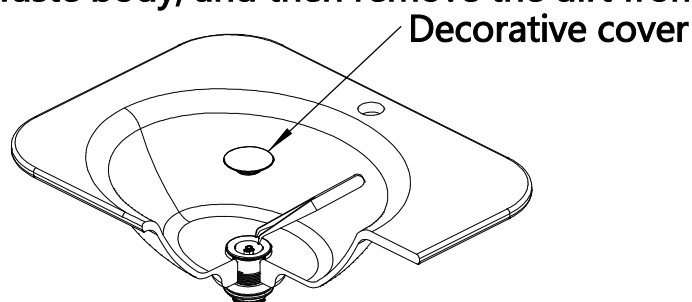
Silicone can also be used during the installation.

Troubleshooting

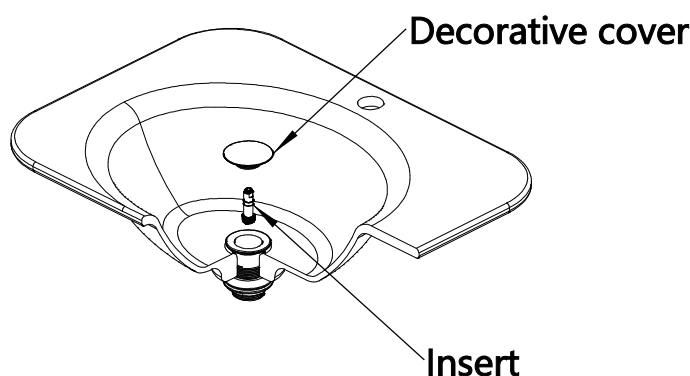
1. Poor drainage
2. Click-clack functional failure

Maintenance

The poor drainage is due to the blockage of dirt, and it is necessary to screw down the decorative cover from waste body, and then remove the dirt from the drainage hole.



Click-clack functional failure is caused by the insert fault, insert should be replaced. Unscrew the decorative cover from the waste body by hand, then unscrew the insert with a wrench, install a new insert and screw the decorative cover on the insert.



Maintenance

To maintain the surface finish of your product, wipe clean after every use, using a clean damp cloth, a mild detergent mixture can be used. Do not use abrasive cleaning agents or materials on the product surface.

If any harsh chemicals come into contact with the surface of the product during bathroom cleaning, rinse off immediately, wipe clean and dry

For more information

- visit betterbathrooms.com
- email customerservices@buyitdirect.co.uk
- call 03303903062
- write to Trident Business Park, Neptune Way, Huddersfield, HD2 1UA

better 
bathrooms

Part of the BuyItDirect Group