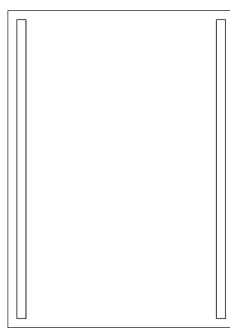


INSTALLATION INSTRUCTIONS



Illuminated LED Mirror IP44

IMPORTANT: Please read these instructions before commencing installation and retain for future reference.

Bathroom Lighting Zones:

0

Inside the bath or shower. Must be SELV (12V Max) due to water submersion. Minimum rating of IP67.

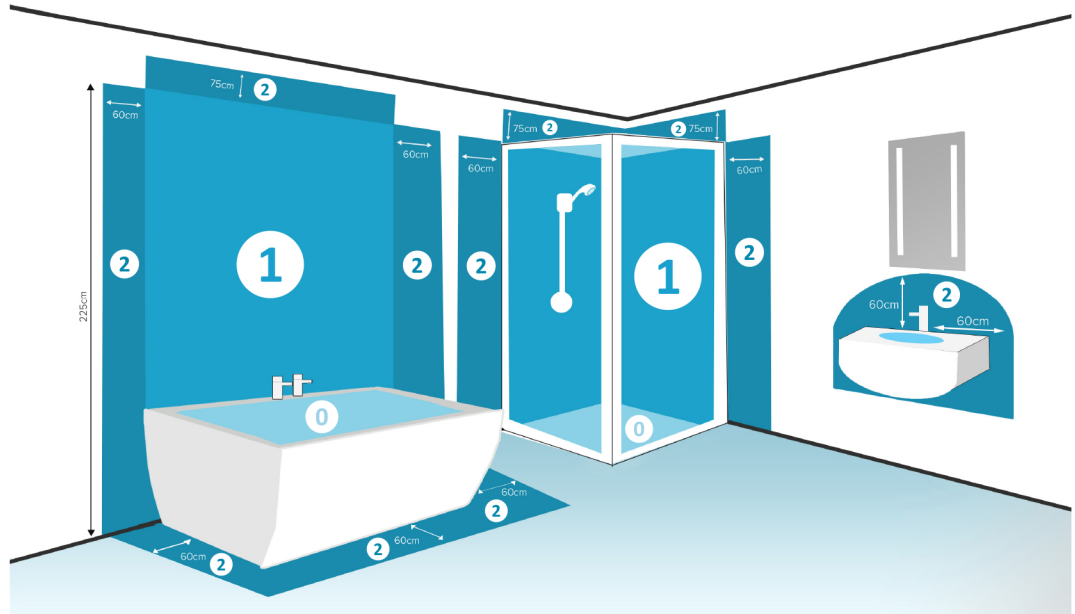
1

225cm above the bath or shower. Minimum rating of IP44.

2

The area stretching to 60cm outside the bath or shower, and 60cm from the water outlet of the sink. An IP rating of at least IP44 is required.

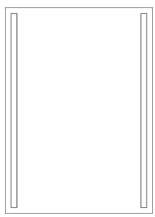
This mirror is IP44 rated and suitable for installation in zone 2 and the outside zones.



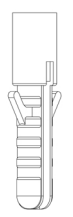
Outside Zones - Anywhere outside zones 0, 1 and 2, where water jets are not used for cleaning purposes, the general rules of BS7671 apply.

Components

Important Safety Information



Illuminated LED Mirror



2 x Rawl Plugs



2 x Screws



1 x Instructions Manual

Please read these instructions carefully before attempting to install this product. It is advisable to keep these instructions in a safe place for future reference.

This product must not be modified, if any modifications are made, it may invalidate the warranty and may render the product unsafe.

This product is for indoor use only.

Tools Required

Safety Instructions



Pencil



Screwdriver



Ø8 mm Drill Bit



Power Drill

1. The mirror should be mounted onto a secure surface.

2. When installing, please take care to avoid water pipes, joints and electrical cables.

3. This product has a rating of IP44.

Waste Electrical & Electronic Equipment (WEEE)

The symbol on the product, or on the document accompanying the product, the crossed out wheelee bin symbol, indicates that this product may not be treated as household waste.

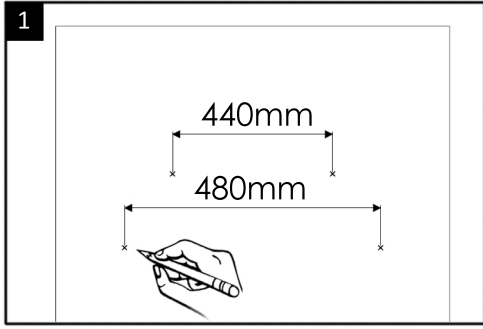
Instead it shall be handed over to the applicable collection point for the recycling of electrical and electronic waste.



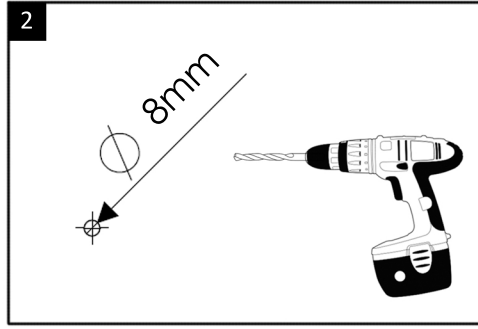
RoHS Compliant ✓ CE

Illuminated LED Mirror IP44

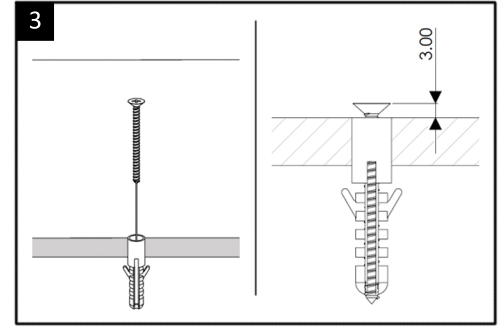
Installation



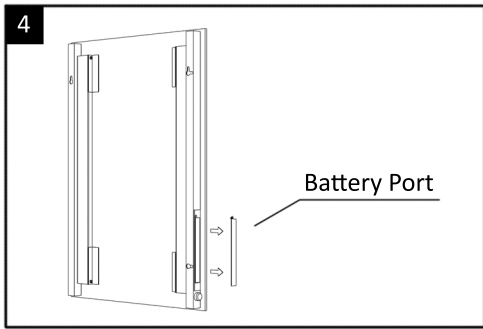
Carefully mark the desired location for the wall mounting screws. 440mm to mount the mirror vertically, or 480mm to mount the mirror horizontally.



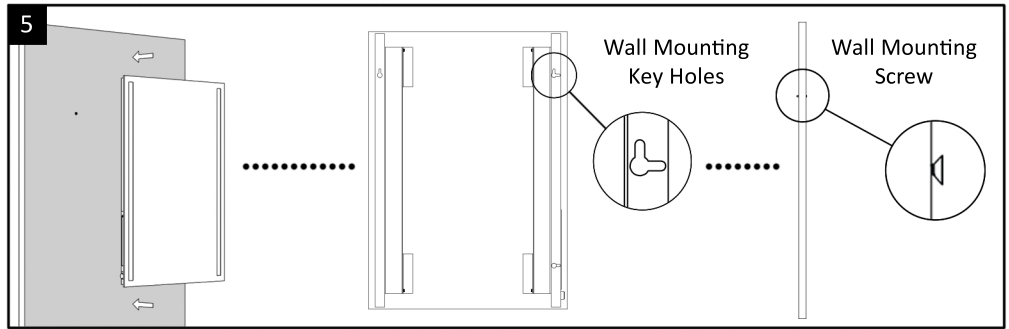
Drill two $\varnothing 8\text{mm}$ holes for the wall mounting screws.



Insert the Rawl plugs and screws into the wall. Be sure to leave a gap of approximately 3mm between the wall and the screw head, so the screw is sticking out slightly.

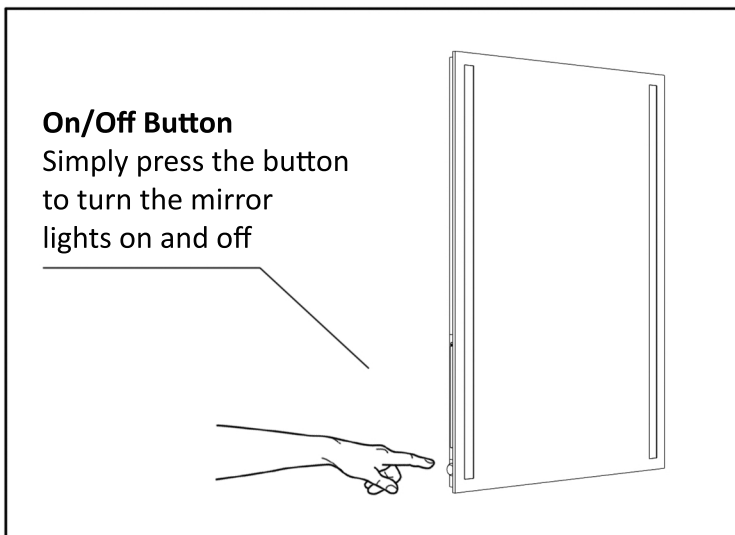


Unclip the battery cover on the side of the mirror and insert three AA batteries. Clip the cover back into position once the batteries are inserted.



Attach the mirror to the wall by hooking the key holes around the screws.

Operation



On/Off Button

Simply press the button to turn the mirror lights on and off

Product Overview

This is a stylish and contemporary LED mirror, capable of taking centre stage in any bathroom.

The mirror features two illuminated strips on the front face, which are perfect for everyday tasks such as applying make-up and shaving, as well rotating technology that enables the mirror to be hung portrait or landscape.

Installation is also made incredibly easy, due to the mirror being battery powered. Simply insert three AA batteries to power the lighting.

Maintenance & Care

- To keep the finish of this product, wipe over with soft cloth periodically.
- Do not use harsh chemical solvents, this may dis-colour or damage the finish.