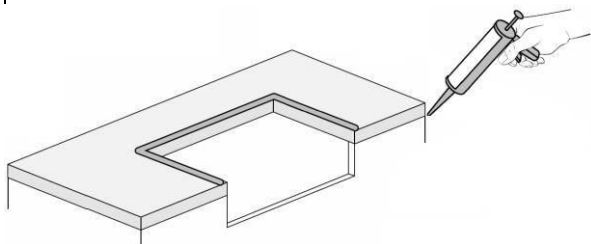


SEMI RECESSED BASIN INSTALLATION GUIDE

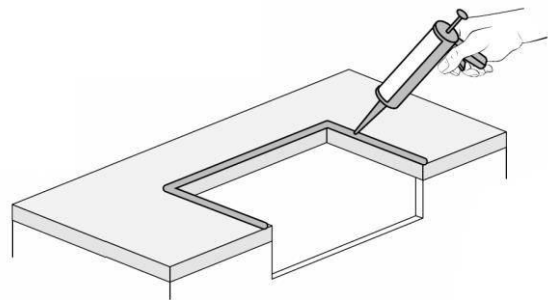
1

Adhere the stone to the cabinet with silicone. Be sure to seal all edges to prevent water damage



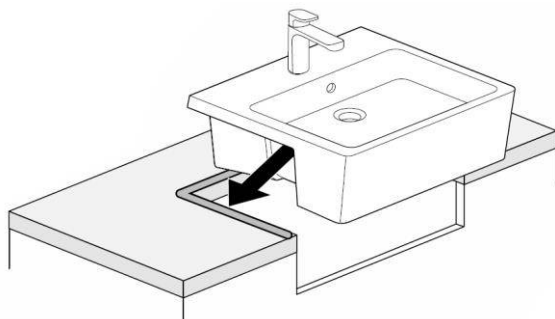
2

Adhere the basin to the cabinet with silicone.



3

Place the basin in position and clean up any excess silicone



4

Be sure to neatly seal all edges of the basin to prevent the ingress of water.

