

# CD150 - Inset Ceramic Sink Fitting Guide

IMPORTANT INFORMATION, PLEASE READ PRIOR TO STARTING THE INSTALLATION OF YOUR SINK

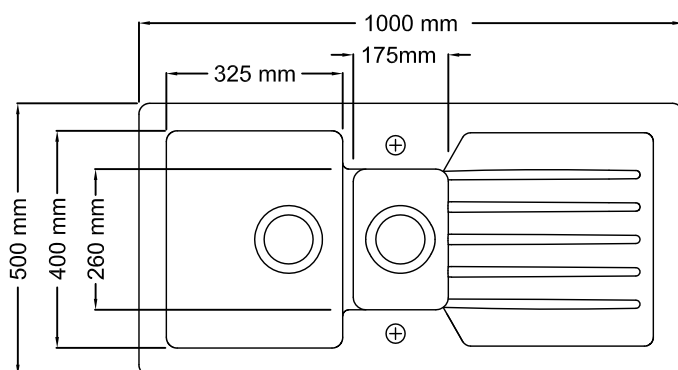
Please carefully read through these guidelines before fitting your ceramic sink. Please ensure the fitting of your sink is completed by a professional fitter. Before starting to fit your sink please check that your sink can be fitted directly into the correct kitchen cabinet, ensure pipework and connections for both taps and waste kits can be installed correctly, in certain circumstances adaption to the kitchen cupboard may need to be made to enable for the sink, tap and pipework to be installed correctly. Please ensure that appliances (such as dishwashers, fridges, washing machines, tumble dryers etc.) can be installed correctly if located under the drainer of your sink or adjacent cabinet prior to undertaking the planned installation of your sink. Please ensure that your work surface is of a suitable thickness to allow for fitting of working drawers and or appliances directly under the draining area of your sink, if in doubt please consult a kitchen planner or installer.

TOOLS REQUIRED (masking tape, pen or pencil, tape measure, hammer and centre punch, electric drill and sharp 5/6 mm masonry drill bit), appropriate cutting equipment/saw for removing the centre of your work surface appropriate clear mastic sealant.

**WARNING** The sink is very heavy and extremely fragile when removing from the box and during installation and should be lifted and installed by two competent persons. (Cut-outs in materials such as granite, marble and solid surface should be carried out by a qualified tradesperson).

1. Decide on the single tap hole you require prior to removing the pre-punched tap hole of your sink.
2. Measure to find the centre of the pre-punched tap hole required (this can be found on the underside of your sink) mark the centre of the hole with a suitable pen or pencil. Cover this area with a suitable masking tape; again mark the centre of the pre-punched tap hole with a suitable pen or pencil.
3. Ensure that the sink is supported correctly and evenly to avoid uneven stress or damage when removing the pre marked tap hole, using a centre punch crack the glaze in the centre of the required tap hole position.
4. Using a No. 5/6 sharp masonry drill, carefully drill a small pilot hole from the top. NB. Only drill one small hole.
5. You can now proceed to enlarge the hole to the required size by carefully using your hammer with the centre punch. Please undertake this process firmly but carefully, checking regularly that you are working within the confines of the pre-punched tap hole. Once the tap hole is large enough (approximately 30/35mm in diameter use a fine grade sand paper (rolled into a tube shape) to clean the hole and make smooth, your tap hole should now be able to accommodate your chosen tap and be installed correctly. Depending on the unique installation of your sink it may be appropriate to offer and install the overflow of your sink to the sink prior to full installation within the work surface.
6. Measure and mark the cut-out of your sink (970mm x 470mm) on to the surface of your work surface, re-check the measurement carefully, once you have positioned the measurement and are happy carefully cut and remove the marked cut-out section of your work surface, we recommend that porous surface materials (such as laminate and wood work tops) once cut are sealed with a reputable sealer to protect them against damage by moisture. Apply clear high quality water proof mastic to both the underside area of your sink and also around the cut-out area of your work surface. Carefully position your sink into the cut-out ensuring that your sink is aligned correctly and that excess sealant is removed from both the sink and surrounding area of worktop. Allow the sealant to fully cure prior to making final connections and using your sink.

**\*Please do not over tighten any fittings as this may cause the surface of your ceramic sink to crack\***



Main Bowl Depth 200mm  
Small Bowl Depth 150mm  
Overall Sink Depth 222mm  
Min. base unit 600mm  
Cut out size 970mm x 470mm

\*Dimensions may vary plus or minus 2%\*