

Hang 'N' Lock Mirrors

Thank you for purchasing this Croydex product. Please follow the fixing and care instructions to ensure your Hang 'N' Lock Mirror is fitted safely and retains its high quality finish. Please retain this leaflet for future reference.

This installation guide applies to the following mirrors:

- MM700100 - Bampton Rectangular Mirror with Shelves
- MM700200 - Coniston Oval Mirror with Shelves
- MM700300 - Devoke Rectangular Double Layer Mirror with Shelf
- MM700400 - Fairfield Arch Mirror with Shelf
- MM700500 - Helton Rectangular Mirror with Under Mirror Shelf
- MM700600 - Langdale Arch Mirror with Shelf
- MM700700 - Meadley Circular Mirror with Mosaic Surround
- MM700800 - Rydal Rectangular Double Layer Mirror with Shelf
- MM701200 - Belham Oval Mirror
- MM701300 - Harrop Rounded Rectangular Mirror
- MM701400 - Kentmere Rectangular Mirror
- MM701500 - Simpson Round Mirror

Tools required - not supplied

Pencil; Tape Measure; Philips Screwdriver; Flat Head Screwdriver; Drill; 8mm Drill Bit, 8mm Ceramic drill bit (optional).

KEEP DIY TOOLS OUT OF THE REACH OF CHILDREN

Home Safety Advice

- It is recommended that two people fit this product to ensure that it is fitted safely.
- Always take care when using power tools, particularly in the bathroom.
- Always check for hidden cables and pipework before drilling and take extreme care if there is any water in the working area.
- It is advisable to use a residual current circuit breaker (RCCB).
- Always wear suitable eye protection when drilling.
- If the product is to be fitted on a ceramic tiled wall, a ceramic drill bit should be used.
- Always ensure that the drill hole passes through the central tiled area rather than through the grouted area. To prevent damage to the tile, mask the area around the hole with tape before drilling.
- Do not strike the product with hard or sharp objects.
- Do not overload the glass shelves. Maximum loading for the small shelf is 0.5Kg and 1Kg for the larger shelves, evenly distributed. The maximum loading for the Helton Mirror shelf MM700500 is 2kg evenly distributed

Product Care

To retain the best quality finish, clean product regularly with a soft damp cloth. Do not use abrasive or chemical cleaners as these will damage the product. Do not position glass components directly above a heat source.

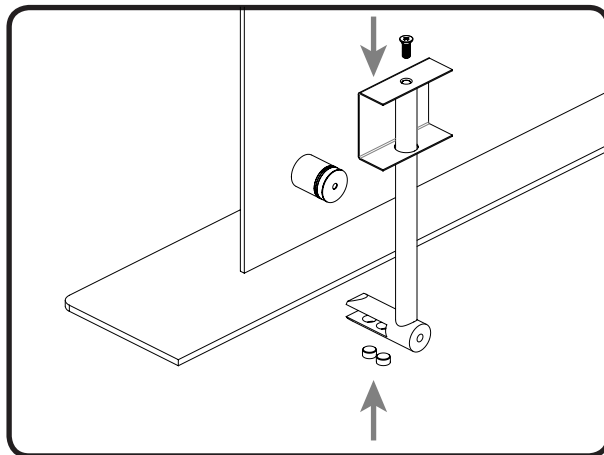
Glass shelf assembly - MM700500

A. Assemble the shelf support arms to the mirror as shown.

Slide the glass shelf into the support brackets and secure in position using the brass grub screws supplied.

DO NOT OVERTIGHTEN THE SCREWS

Maximum shelf loading 2kgs evenly distributed.

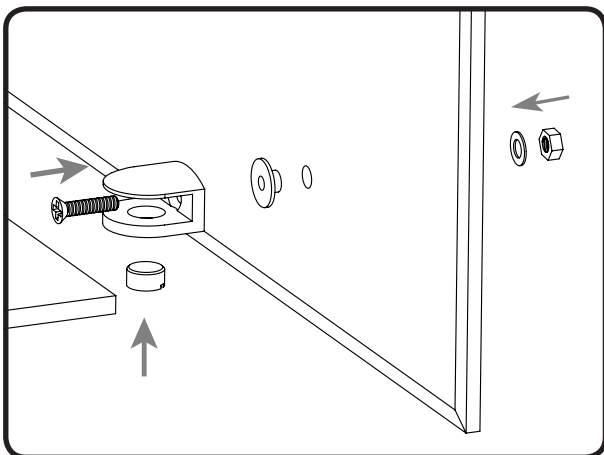


Glass shelf assembly - MM700100, MM700200, MM700300 MM700400 MM700600 & MM700800

B. Assemble the shelf support brackets as shown, ensuring the slot is horizontal and the grub screws pointing downwards. Slide the glass shelf into the support brackets and secure in position using the brass grub screws supplied.

DO NOT OVERTIGHTEN THE SCREWS

Maximum small shelf loading 0.5kgs, large shelf loading 1kg evenly distributed.

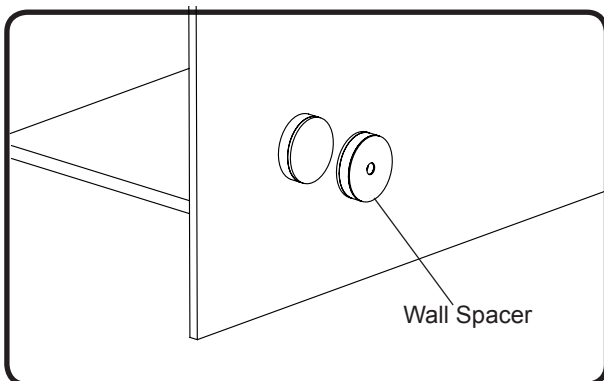


Mirror spacer assembly

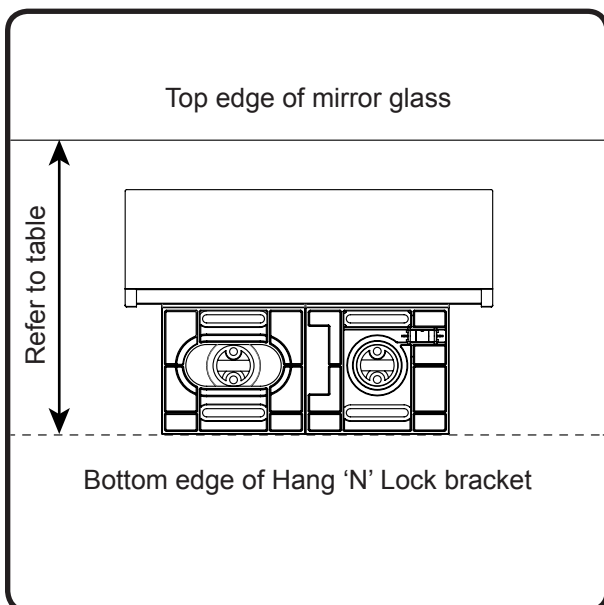
C. Attach the wall spacer to the mirror spacer by joining the hook and loop fasteners together.

Hang 'N' Lock pre-installation guide

D. Refer to the dimensions below to position the Hang 'N' Lock bracket. (Dimension are for reference only. Please double check dimension against mirror).

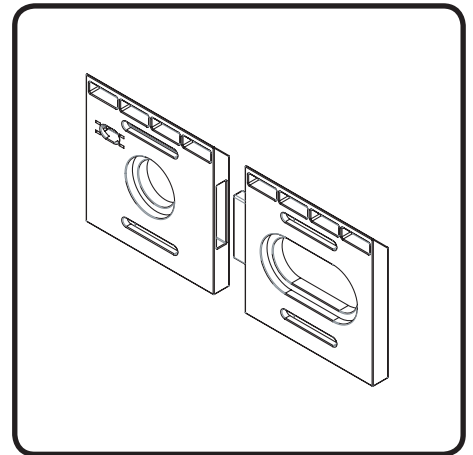


Product Code	Portrait	Landscape
MM700100	208	n/a
MM700200	318	n/a
MM700300	185	n/a
MM700400	220	n/a
MM700500	235	n/a
MM700600	195	n/a
MM700700	212	n/a
MM700800	185	n/a
MM701200	268	188
MM701300	210	162
MM701400	208	178
MM701500	212	n/a

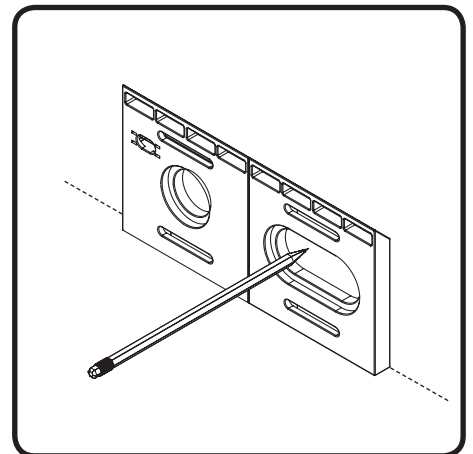


Installation Guide

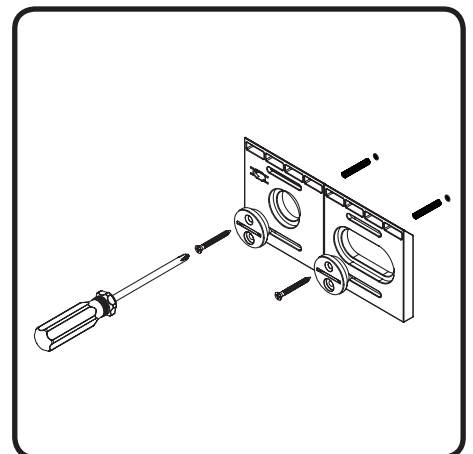
1. Assemble the Hang 'N' Lock bracket sections making sure all parts are slotted tightly together.



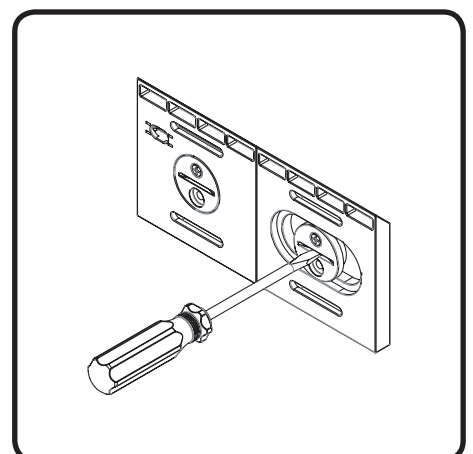
2. Place the bottom edge of the Hang 'N' Lock bracket onto the reference line and mark a screw hole position in each cam hole recess. Remove the bracket from the wall.



3. Drill holes to a depth of 45mm and insert the wall plugs level with the surface of the wall. (Note: if you are fitting the product to a tiled surface, insert the wall plugs below the surface of the tile to avoid cracking the tiles). Insert the countersink screws through the Hang 'N' Lock cams and loosely secure the Hang 'N' Lock bracket to the wall.



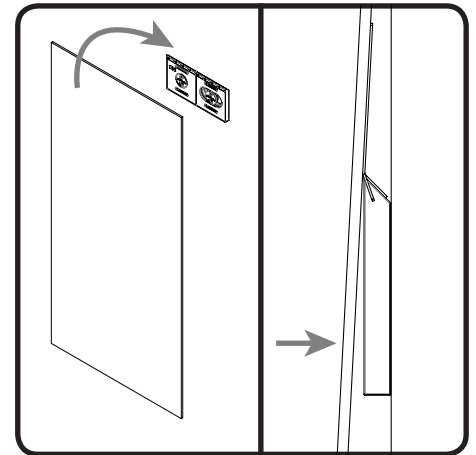
4. With the Hang 'N' Lock bracket loosely attached to the wall, adjust for height and level by rotating the cams with a flat head screwdriver, then use a Philips screwdriver to fully tighten the mounting screws, to securely fix the bracket into position.



Installation Guide

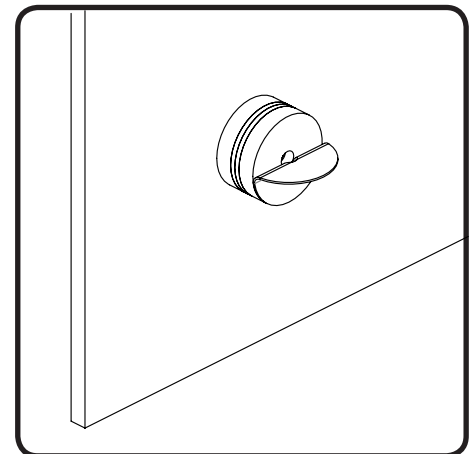
5. Align the centre of the mirror with the centre line of the Hang 'N' Lock bracket and the carefully hang the mirror on the bracket. Ensure the mirror is fully supported on the bracket before releasing it.

Check the level of the mirror and its position on the wall. Carefully ease the bottom of the mirror from the wall to access the back of the wall spacers. Make sure that the mirror is fully supported on the bracket at all times when doing this.



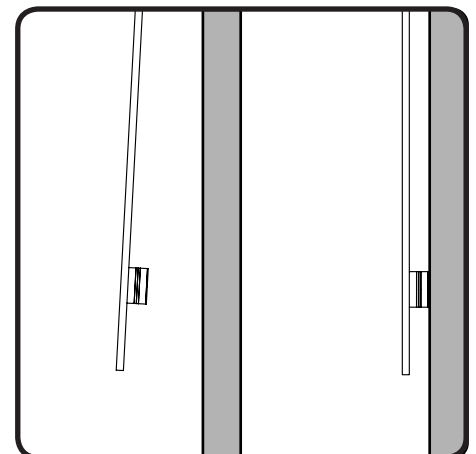
6. Peel the protective cover strip from the double sided tape on the support brackets.

(The adhesive tape is ideal for use on tiled and laminate surfaces but may cause damage to painted and papered walls.)



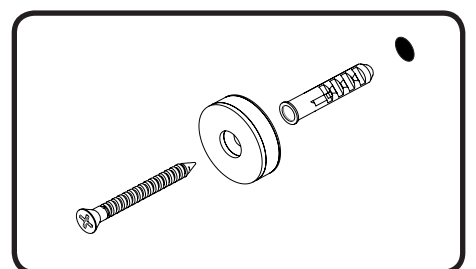
7. Carefully lower the mirror to a vertical position and press the adhesive pads against the wall.

The mirror can be removed by separating the hook and loop fastener between the mirror and wall spacers.



8. The wall spacer can be screwed to the wall if the mounting surface is unsuitable for fixing with adhesive tape.

Mark the centre of the wall spacer on the wall surface. Remove the mirror from the Hang 'N' Lock bracket and separate the wall spacers from the mirror. Fasten the wall spacers using the screws provided and re-hang the mirror.



For details of the other items in the Croydex range please visit our website: www.croydex.com

Croydex Ltd, Central Way, Andover, Hants, SP10 5AW, UK
Tel: +44 (0) 1264 365881
Fax: +44 (0) 1264 356437
Email: info@croydex.co.uk

Check out our full range of Bathroom Accessories

Bathroom Accessory Sets

Heated Towel Rails

Bathroom Extractor Fans

Bathroom Lighting

Shower Seats

Grab Rails

Shower Curtains

Toilet Brushes

Bathroom Cleaning Products

Wall Mounted Bathroom Accessories

Robe Hooks

Bathroom Tumblers

Toilet Roll Holders

Soap Dishes

Towel Rings

Shower Caddies

Bathroom Mirrors

Standard Bathroom Mirrors

LED Bathroom Mirrors

Shaving Mirrors

plumbworld
Big brands, small prices.