



EN

EVAPORATIVE AIR COOLER

POLIFEMO TALAO


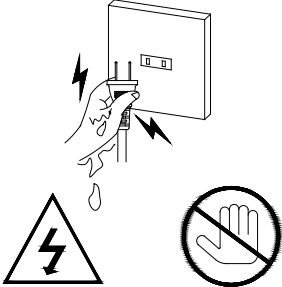


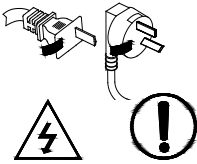
OPERATING INSTRUCTIONS

Read the instructions carefully before operating the appliance or carrying out maintenance operations. Observe all the safety instructions; failure to observe the instructions may lead to accidents and/or damage. Keep these instructions in a safe place for future reference.

GENERAL SAFETY INFORMATION

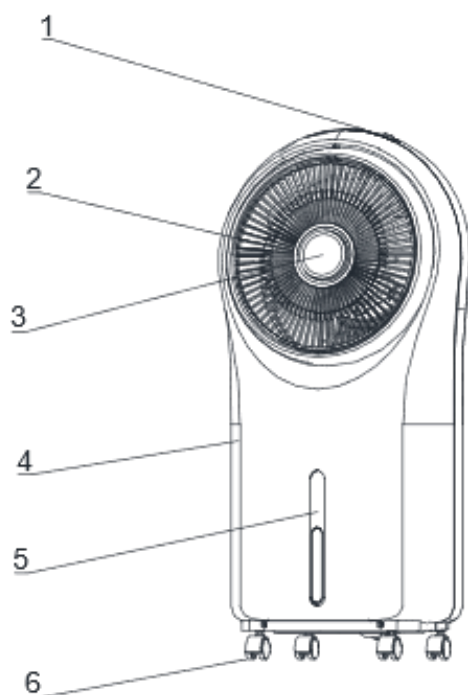
- Only use this appliance as described in this manual. Any other use not recommended by the manufacturer may cause fire, electric shock or injury to people.
- Make sure that the type of mains power complies with the electrical requirements of the appliance (220-240V~/50 Hz).
- This appliance can be used by children aged from 8 years and above and people with reduced physical, sensory or mental capabilities or lack of experience and knowledge if they have been given supervision or instruction concerning use of the appliance in a safe way and understand the hazards involved.
- Children shall not play with the appliance.
- Cleaning and user maintenance shall not be made by children without supervision.
- This product is not a toy. Children should be adequately supervised to ensure that they do not play with the appliance.
- Disconnect the mains power when the appliance is not used or for cleaning operations.

<p>In the event of any problems, switch off the appliance immediately, do not attempt to repair it, and take it to your local After-Sales Service Centre. Do not remove or replace individual parts, as this could affect product safety.</p> <div style="text-align: center; margin: 10px 0;">  </div> <p style="text-align: center;">Do not disassemble the appliance!</p>	<p>Do not touch the power cord with wet or damp hands; risk of electric shock.</p> <div style="text-align: center; margin: 10px 0;">  </div> <p style="text-align: center;">Warning!!! Do not touch Risk of electric shock!</p>
<p>Do not use the appliance near flammable or explosive gases</p>	<p>Place the device at a distance of at least 1 meter from TV and radio to avoid interference.</p>

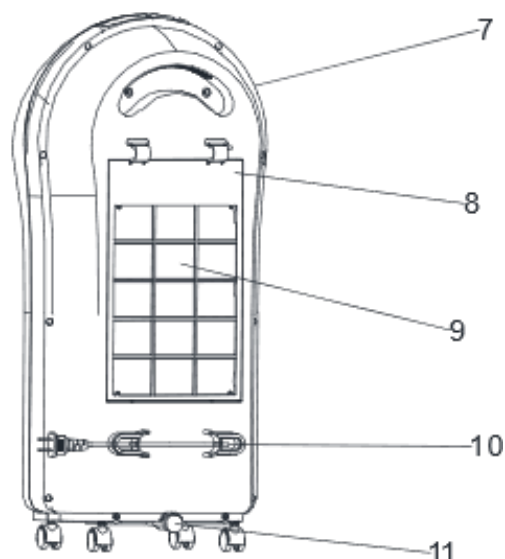
<p>Do not use the appliance if the cord or plug is damaged. Do not attempt to change the power cord yourself. If the power cord is damaged, it must be replaced by the manufacturer, dealer or a similarly qualified person so as to avoid any safety risks.</p>  <p>Warning!!! Do not touch Risk of electric shock!</p>	<p>Do not bend or stand heavy objects on the power cord.</p> <p>Do not use extension cord.</p>
<p>Turn the switch off and unplug before carrying out any maintenance work or moving the appliance. Always unplug from the socket when the appliance is not in use.</p>	<p>To disconnect the appliance, press STOP button and unplug from the socket. Only pull on the plug. Do not pull the cord. Otherwise the cable may be damaged or leaks, etc. may occur.</p>
<p>Do not place the appliance under a power socket, do not use the appliance in a bathroom or near a swimming pool.</p>	<p>Do not block the air inlet and outlet grille</p>
<p>Do not pour water over the product: risk of short-circuits and damage to the product.</p>	<p>Do not leave the airflow directed towards children for long periods of time: it is not good for their health.</p>

DESCRIPTION OF PARTS

FRONT VIEW



REAR VIEW



1. Control panel
2. Air outlet
3. Air outlet cover plate
4. Front panel
5. Water level display window
6. Castors

7. Rear panel
8. Air filter and evaporative panel
9. Honeycomb filter
10. Cable reel
11. Drain condensate hole

HOW TO USE THE APPLIANCE

The device does not require installation.

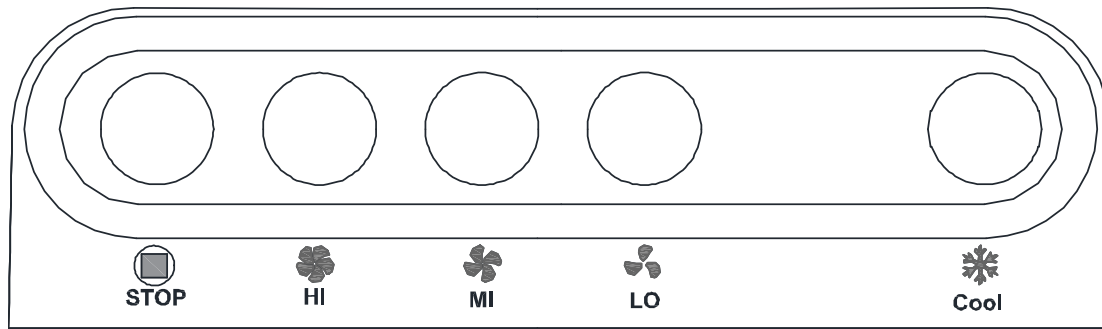
Place the unit on a flat and stable surface and connect the power cord to an appropriate power outlet (220-240V ~): the device can be started by pressing the STOP button and it will start operating in ventilation mode.

Given the small size of the product, to transfer it from one room to another, it is advisable to push it gently by taking it on the sides with both hands. Do not use this cooler in an area with high humidity, rich in dust or with a temperature above 40 ° C.

This product can be used both as a fan, with 3 possible ventilation speeds (low, medium, high), and as a cooler / humidifier: in this case, the rear tank must be filled with demineralized water, without exceeding the maximum limit indicated on the front. through a transparent window. When the water in the tank drops below the minimum limit, marked on the tank, the appliance stops cooling mode and continues to operate in ventilation mode.

The fan sucks air from the environment and passes it through the anti-dust filter and the evaporative panel, which is kept constantly humidified thanks to a system that draws water from the tank and sprays it on the panel. The incoming hot air evaporates part of the water which is soaked in the panel and is returned to a cooler environment, producing a decrease in the perceived temperature.

CONTROL PANEL



After turning on the power supply, the unit starts operating in ventilation mode



BUTTON STOP

Press this button to stop the appliance from operating



BUTTON HI

Press this button to set the high fan speed.



BUTTON MI

Press this button to set the medium fan speed.



BUTTON LO

Press this button to set the low fan speed.



BUTTON Cool

Press this button to activate cooling and humidification.

FILLING AND EMPTYING THE WATER TANK

THE TANK MUST BE FILLED WITH DEMINERALIZED WATER FOR THE APPLIANCE TO OPERATE IN COOLER/HUMIDIFIER MODE.

Before connecting the power cord to the power outlet, add demineralized water directly to the water tank, which is located inside the appliance, by opening the hook of the filter assembly located at the rear of the appliance. Fill the tank up to the maximum limit indicated, it will be possible to view the water level through a transparent window, located on the front panel of the unit.

If you want to keep the temperature of the water in the tank below the ambient temperature for a long time, in order to favor cooling in the hottest season, add a tablet of synthetic ice supplied to the water in the tank, after having left it in the freezer for the time necessary for its complete consolidation. Ice absorbs heat from water.

Continuous use of ice is recommended to optimize the cooling capacity.

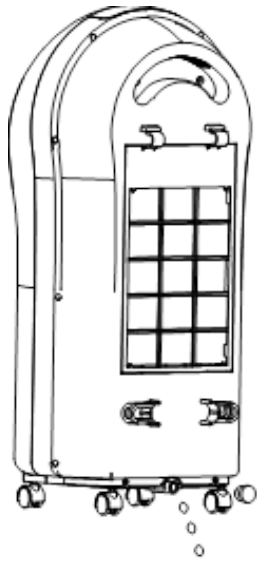
It is possible that the first time you use it, you will notice a perfume or the water takes on a particular color: there are no health risks.

After turning off the unit, if it is not expected to be used soon, proceed with the elimination of the water remaining in the internal tank.

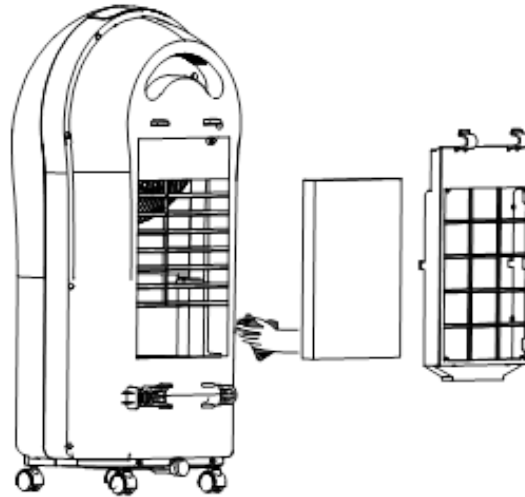
With the power supply disconnected, place a container under the lower hole, remove the cap that closes it and let the remaining water flow out.

Always do this before putting the appliance away at the end of the season.

In this case it is also recommended to clean the tank with a dry cloth.



Remove the cap and empty the tank



Clean the water tank with a dry cloth

MAINTENANCE AND STORAGE

WARNING: ALWAYS UNPLUG THE APPLIANCE BEFORE CLEANING OR MAINTENANCE PROCEDURES. IMPORTANT: DO NOT SUBMERGE THE PRODUCT IN WATER

Cleaning the outside surface of the appliance

Use a soft cloth to remove any dust from the product.

If this is not enough, use a soft cloth dampened with water and a mild detergent at a temperature not exceeding 50°C. Let the appliance dry completely before using it.

Do not use corrosive detergents or solvents such as petrol. Do not wash the appliance with water. Do not use oils, chemical substances or other items that may damage the surface to clean it.

Use a vacuum cleaner to remove dust from the air inlet/outlet grilles.

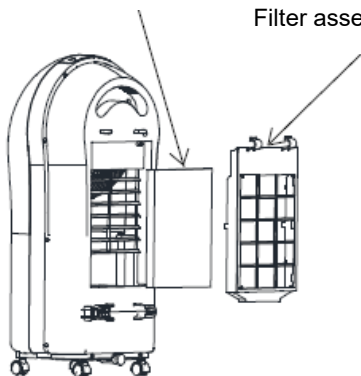
Cleaning the dust filter and the honeycomb panel

Clean the dust filter frequently, at least once a month.

Gently remove the anti-dust filter from the filter assembly and extract the honeycomb panel, as shown in the drawing below.

Honeycomb panel

Filter assembly



Clean the dust filter with a soft brush or vacuum cleaner and wash it in water with a neutral detergent.

Also remove the honeycomb filter.

Allow the filter to dry completely after washing; then reinstall the components.

Elimination of residual water from the integrated tank

To eliminate the residual water from the integrated tank, refer to the "Filling and emptying the water tank" section.

STORAGE

If the appliance is not used for prolonged periods, disconnect the power cord and store the appliance with this manual in its original packaging, in a cool and dry place.

Before packaging, the honeycomb filter and dust filter should be dry, and there is no water in the tank.



INFORMATION FOR THE CORRECT DISPOSAL OF THE PRODUCT IN ACCORDANCE WITH EUROPEAN DIRECTIVE 2012/19/EU

This appliance may not be scrapped with domestic waste at the end of its life cycle. We call your attention to the crucial role played by the consumer in the re-use, recycling and other forms of recovery of such waste.

The appliance must be scrapped by a sorted waste disposal centre or by returning it to the retailer (no charge is levied for this service), when you purchase a new equivalent appliance.

Sorted disposal of electric and electronic equipment prevents the negative effects on the environment and human health resulting from improper scrapping, and also allows the materials from which it is made to be recovered and recycled, with significant savings in terms of energy and resources. The sorted disposal requirement is indicated by the crossed waste bin label affixed to the appliance.



improve your life

www.argoclima.com