

furniture123

USER MANUAL



ELECTRIC FIREPLACE 72” AGL049


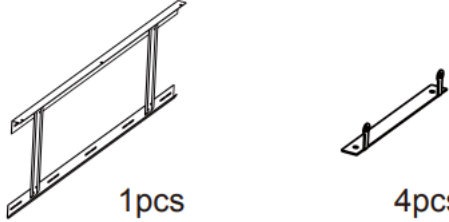


Thank you for choosing this electric fireplace.
Please read this manual before using or installing
the electric fire and keep it safe for future reference.

CONTENTS

PARTS SUPPLIED	2
SAFETY	2
INSTALLATION	6
OPERATION	8
CARE AND MAINTENANCE	12
SUPPORT	13
TECHNICAL SPECIFICATIONS	13
PRODUCT FICHE	14

PARTS SUPPLIED

NOTE: Pictures and contents in this manual may differ from the product due to continuous product improve.

<p>(1) Fireplace Assembly</p>  <p>1pcs</p>	<p>(2) Steel Holder</p>  <p>1pcs 4pcs</p>
<p>(3) Remote Control</p>  <p>1pcs</p>	<p>(4) Screw</p>  <p>Φ4mm×40mm 20pcs Φ4mm×10mm 10pcs</p>

SAFETY INFORMATION

When using electrical appliances, basic safety precautions should always be followed, including the following:

- **IMPORTANT:** Read all instructions and warnings carefully before starting installation. Failure to follow these instructions may result in a possible electric shock or fire hazard and will void the warranty.
- Before connecting the appliance, be sure that the mains voltage available matches that specified on the rating plate and that the outlet is suitably grounded.
- This appliance can be used by children aged from 8 years and above and persons with reduced physical, sensory or mental capabilities or lack of experience and knowledge if they have been given supervision or instruction concerning use of the appliance in a safe way and understand the hazards involved.
- Children aged from 3 years and less than 8 years shall only switch on/off the appliance provided that it has been placed or installed in its intended normal operating position and they have been given supervision or instruction concerning use of the appliance in a safe way and understand the hazards involved. Children aged from 3 years and less than 8 years shall not plug in, regulate, or clean the appliance or perform user maintenance.

- Children under 3 years should be kept away unless continuously supervised.
- Some parts of this product can become very hot and cause burns. Particular attention has to be given where children and vulnerable people are present.
- If the supply cord is damaged, it must be replaced by the manufacturer, its service agent or a similarly qualified person in order to avoid a hazard.
- **WARNING:** In order to avoid overheating, do not cover the heater.
- The heater must not be located immediately below a socket outlet.
- **CAUTION:** In order to avoid a hazard due to the inadvertent resetting of the thermal cut-out, this appliance must not be supplied through an external switching device, such as a timer, or connected to a circuit that is regularly switched on and off by the user or utility.
- Do not attempt to repair, disassemble or modify the appliance. This unit contains no user-serviceable parts.
- Always unplug or disconnect the appliance from the mains power supply when not in use, or when moving or cleaning it. Do not pull the cord to unplug the heater.
- Keep the heater clean. Do not allow any object to enter the ventilation or exhaust opening as this may cause electric shock, fire, or damage to the heater.
- Do not use the appliance for other than its intended use. It is designed for domestic indoor use only.
- There may be a trace of odour during the first few minutes of initial use, or after a period of storage. This is normal and will quickly disappear.
- If the glass is damaged, do not use the heater in order to avoid a hazard.
- Avoid the use of an extension cord, as the cord may overheat and cause a risk of fire.
- This fireplace is hot when in use. To avoid burns, do not let bare skin touch hot surfaced. If provided, use handles when moving this appliance.
- Keep combustible materials, such as furniture, pillows, bedding, papers, clothes and curtains at least 3 feet from the front and sides of this appliance.
- This appliance is designed for indoor use only and is not intended for use in bathrooms, laundry areas and similar indoor locations. Never locate this appliance where it may fall into a bathtub or otherwise become exposed to water.
- Do not run the cord under carpeting. Do not cover the cord with throw rugs, runners or similar. Ensure the cord is kept away from traffic areas, and kept in a position which would not present a trip hazard.

- To disconnect this appliance, turn the controls to the off position, then remove the plug from the outlet.
- This appliance has hot and arching or sparking parts inside. Do not use it in areas where gasoline, paint, or any flammable liquids are used or stored.
- This appliance should not be used as a drying rack for clothing, nor should Christmas stockings or decorations be hung on or near it.
- This electric fire is an instant heat source to warm up a room and is great for visual room ambiance it doesn't necessarily need to be used as a constant or permanent source of heating for the home.
- Clean the fire regularly to prevent the build-up of hairs dust or lint around the fire, as this may cause the outlet to become blocked.
- Do not use aerosols or steam cleaners on or around the fire.

MANUAL HANDLING

- The heater must not be moved while in use. Please allow a suitable amount of time for the unit to cool before attempting to move it.
- One person should be sufficient to lift the heater. If for any reason it is considered too heavy then obtain assistance.
- When lifting always keep your back straight. Bend your legs and not your back.
- Avoid twisting at the waist. It is better to reposition your feet.
- Avoid upper body / top heavy bending. Always bend from the knees rather than the waist. Do not lean forward or sideways whilst handling the heater.
- Always grip with the palm of the hand. Do not use the tips of fingers for support.
- Always keep the heater as close to the body as possible. This will minimize the cantilever action.
- If required, use gloves to provide additional grip.
- Always use assistance if required.

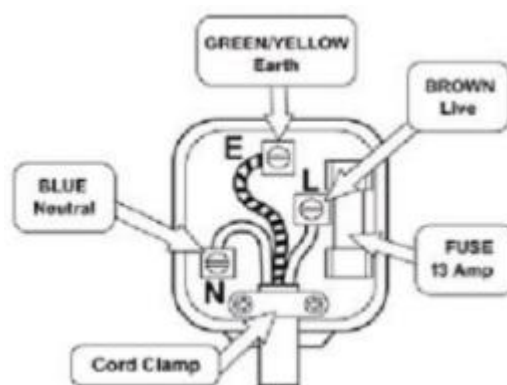
ELECTRICAL SAFETY

The heater must not be located under an electrical socket; the socket must always be accessible in order to disconnect the heater from the electrical supply for maintenance and cleaning.

Important: This heater must be earthed. The mains supply must be safely routed from the heater to an electrical socket.

- If the supply cord is damaged, it must be replaced by the manufacturer, service agent or a similarly qualified person in order to avoid a hazard.
- This appliance is supplied with a BS1363 3 pin plug fitted with a 13 Amp fuse. Should the fuse require replacement, it must be replaced with a fuse rated at 13 Amp and approved to BS1362.
- In the event the mains plug has to be removed or replaced for any reason.
NOTE: The wires in the mains lead on this appliance are coloured in accordance with the following code:

- **Green and Yellow** - Earth
- **Blue** - Neutral
- **Brown** - Live

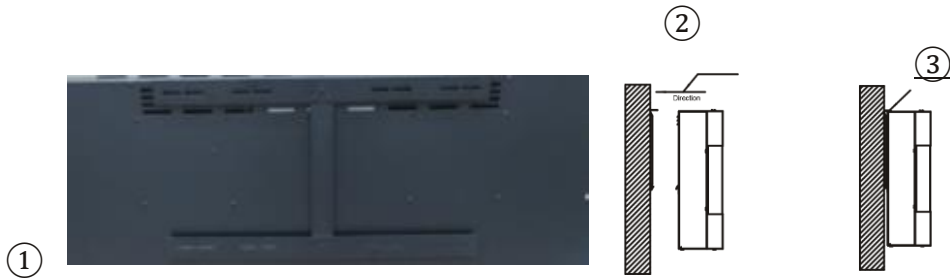


NOTE: As the colours may not correspond with the markings identifying the terminals in your plug, please proceed as follows.

- The green and yellow wire must be connected to the terminal in the plug which is marked with the letter E or with the earth symbol or coloured green and yellow.
- The blue wire must be connected to the terminal marked N or coloured black.
- The brown wire must be connected to the terminal marked L or coloured red. **Important** - any cut off plug should be disposed of safely to prevent a hazard. There is a danger of electric shock if a cut off plug is inserted into a socket outlet.

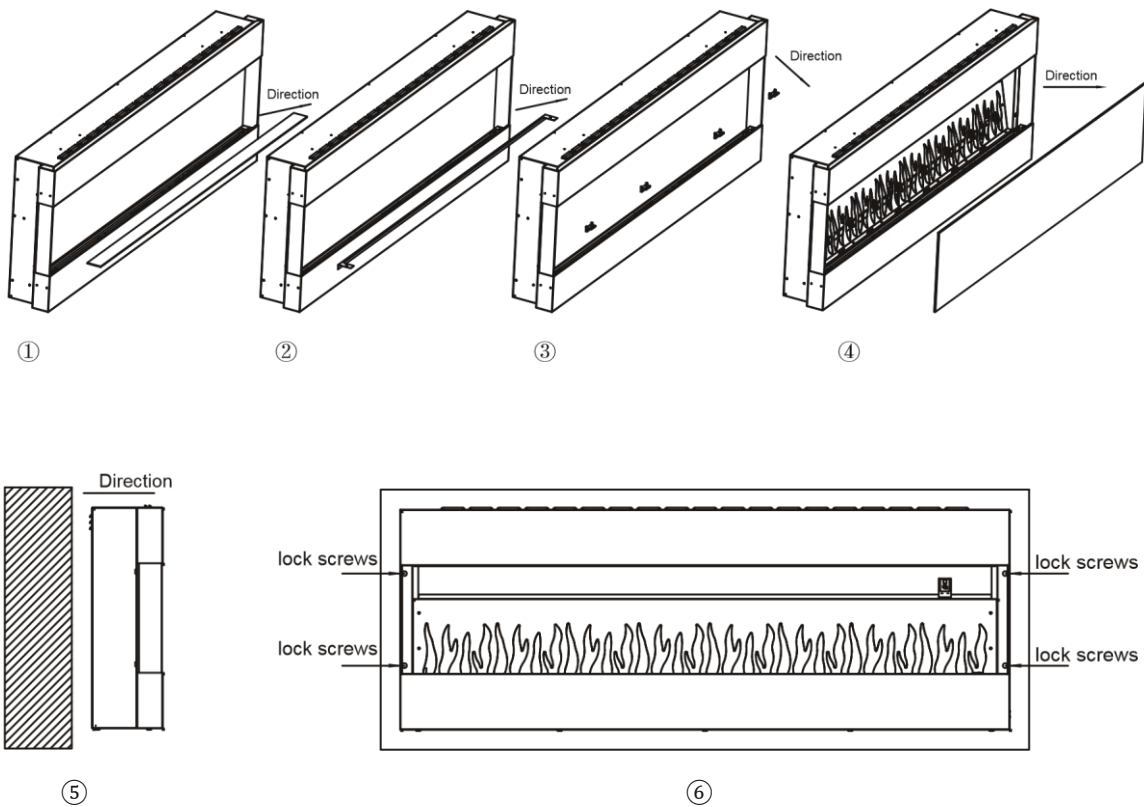
INSTALLATION INSTRUCTIONS

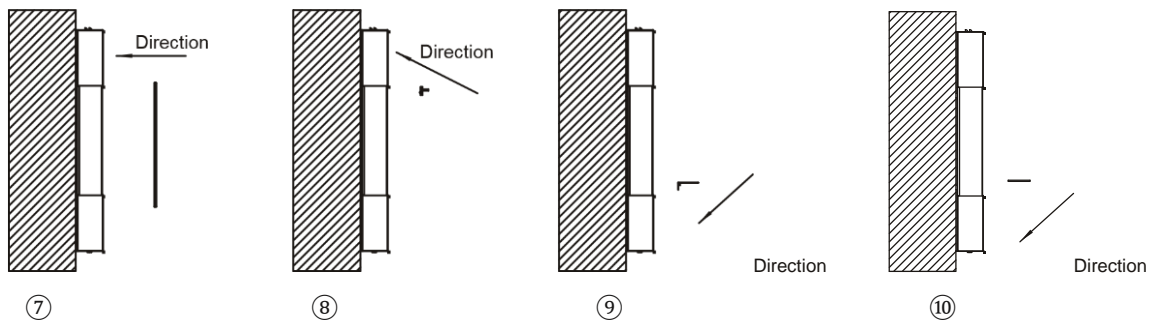
1. WALL MOUNTING



- ① Mount the hook on the wall using the I shaped brackets and fix the screw.
- ② Mount the fireplace on the hook.
- ③ Lock 3 screws in total.

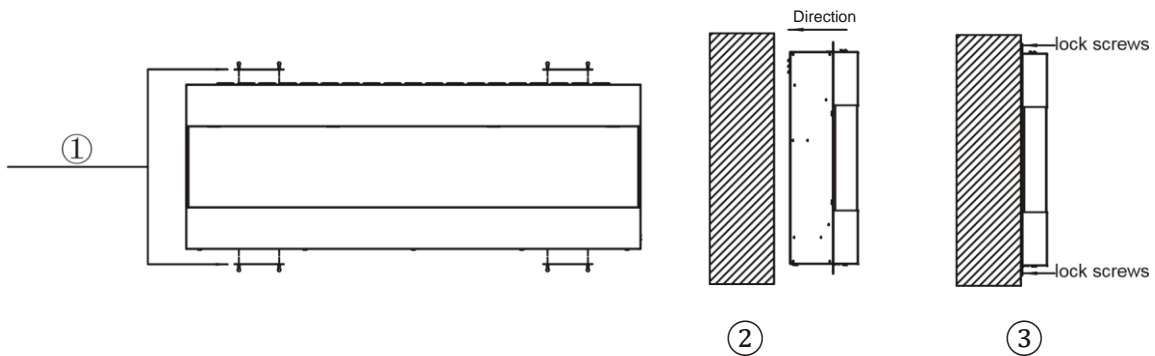
2. EMBEDDED





- ① Remove the acrylic plate.
- ② Remove the glass bead.
- ③ Remove the plastic glass buckle.
- ④ Remove the glass.
- ⑤ Embed the fireplace into the wall.
- ⑥ Fix the fireplace to the wall.
- ⑦ Restore glass.
- ⑧ Restore plastic glass buckle.
- ⑨ Restore the glass bead.
- ⑩ Restore acrylic sheet.

3. EMBEDDED (USING A FIXED PIECE)



- ① Install the fixed pieces on the machine.
- ② Put the fireplace in the wall.
- ③ Fix the fireplace on the wall.

OPERATING BY MANUAL BUTTON

NOTE: The manual button on the firebox unit will not provide you with all the function control, and its purpose is to control some basic function when you lose the remote handset. Please use the remote handset to carry out all functions.



POWER BUTTON: Power ON/OFF.

FLAME BUTTON: Press once till the digital tube displays “F0”, this is the flame colour selection. Press up or down to cycle between the colour selection. F0-F9 will be displayed on the display as the flame colour changes.

Press twice till the digital tube displays “C0”, which is the colour selection of charcoal fire. Press up or down to cycle between the colour selection. C0-C9 will be displayed when in colour cycle selection.

Note: Hold flame till the digital tube displays “E0”, when E0 is displayed, you can press up or down to select E0 or E1.

E0 means that the ERP weekly timing and window detection function is not turned on.

E1 means ERP weekly timing and window detection can be set to on. The SET setting indicator will flash as long as the flame button is pressed.

HEATING BUTTON: Press once to turn on low heating mode. Press twice for high heating mode, press 3 times to turn heating off. (Remark: For the heating to operate the indoor temperature must be lower than the set temperature.)

Hold the heating button to turn off the digital screen to then switch between Celsius or Fahrenheit by pressing up or down to cycle through. The SET setting indicator light will be flashing.

UP BUTTON: Press repeatedly to increase set temperature. The SET setting indicator will be flashing and the current temperature unit light will be on.

DOWN BUTTON: Press repeatedly to decrease set temperature. The SET setting indicator will be flashing and the current temperature unit light will be on.

TIMING BUTTON:

1. Press the timing button once to enter the weekly timing function.
2. To turn on, the timing light and setting light will flash together.
3. Press up or down to select “on” or “off” for the weekly timing function. When the weekly timing function is off, the timing light is turned off. The timing lamp lights up when the weekly timing function is turned on.
4. After setting the weekly timing to “on” or “off”, press the timing button again to enter the Monday timing. At this time, the hour and 2 digits of the digital clock will be set, the SET setting indicator will flash, and the TIMER clock will indicate. The timing light is on.
5. Press up or down to enter the hour setting of this day.
6. After the hour is set, press the timing button again, the minute digit tube flashes into the minute setting.
7. After the minute is set, press the timing button again to enter the shutdown time of hour of this day.
8. Then press the timing button to set shutdown minute.
9. After the setting is completed, press the timing button to enter the timing setting of the next day, repeat instructions 4-9 until every day of the week has been set.

CURRENT CLOCK SETTING:

1. Press and hold the timing button to enter the current time setting. First, the LED of the daylight will light up and flash.
2. Press up or down to select which day of the week.
3. After the selection is completed, press the timing button to confirm.
4. At this time, enter the current time setting and press up or down to select the time; set the minutes after setting the hour.
5. Once completed, press the timing button to exit the current time setting.

OPEN WINDOW DETECTION :

When the product and heating function are turned on, the indoor temperature is rising. When the ambient temperature gradually reaches the set value, the product automatically defaults to a stable state, and the current temperature is automatically recorded as a reference value. If the indoor temperature is lowered by 5 °C and above within 10 minutes, and the trend is maintained or continued for 30 minutes, the product self-test system defaults to the window has been opened, and the self-test system will automatically turn off the heating function.

Press and hold the heating button to display E0. When E0 is displayed, you can press up or down to select the E0 and E1 cycles.

E0: It means that the ERP window detection function is not turned on.

E1: It means the ERP window detection function is turn on.

REMOTE CONTROL

The buttons on the remote match the functions covered in the previous section unless otherwise stated.

1. Charcoal Fire colour
2. Flame adjustment
3. Charcoal lock to currently displayed colour displayed when in C0 Mode (Loop)
4. Flame lock to currently displayed colour displayed when in F0 Mode (Loop)
5. Change the desired Temperature.
6. Change heat setting between low, high and off
7. Set Current Time and Day:

- Press once to adjust day using arrow buttons
- Press again to adjust hour value
- Press again to adjust the minute values
- Press to start the clock

8. 7 Day Timer

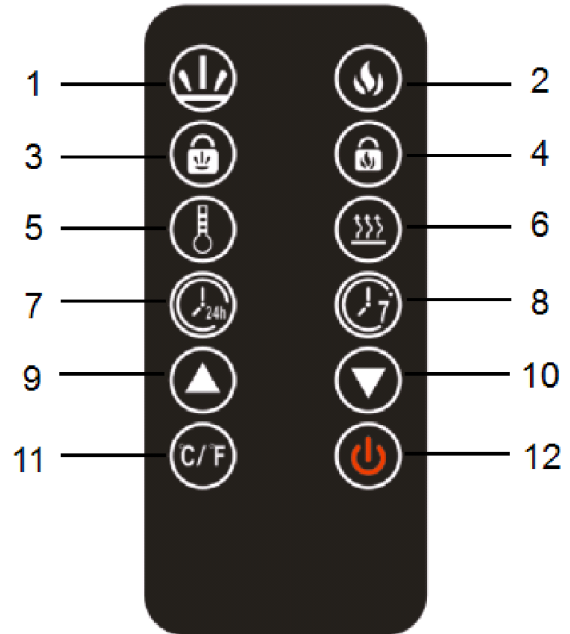
9. Up

10. Down

11. Fahrenheit and Celsius Switching:

Switch between showing the temperature in °C or °F

12. Standby



CARE AND MAINTENANCE

When cleaning unit, the power supply should be disconnected and the unit should be cool.

Dust can be removed by lightly wiping the glass surface with clean, lint free cloth or paper towel. To remove fingerprints or other marks, use a damp cloth with a good quality household glass cleaner. The front glass panel should be completely dried before reusing the heater.



CAUTION:

- Do not use abrasive cleaner on glass panel.
- Do not spray liquids directly onto any surface of the unit.
- Do not clean the glass on the inside of the unit as this may cause damage to the surface.

TROUBLESHOOTING

Most problems are simple to resolve - please refer to the following table before calling a service engineer:

Problem	Possible Cause	Check
Fire has stopped working	The fire has overheated and the thermal safety device has activated or a circuit breaker has tripped.	Check there is power to the socket where the fire is connected, check the fuse in the plug, and leave for 10 minutes in case of thermal cut-out.
Flame is not moving	Flame motor defective	Contact the retailer or manufacturer.

SERVICING

It is hazardous for anyone, other than a qualified service technician, to carry out any service or repair operation, which involves removal of any components.

WASTE ELECTRICAL RECYCLING

This symbol indicates that this product is classed as Electrical or Electronic Equipment and should not be disposed of with other household waste.



The Waste Electrical and Electrical Equipment (WEEE) Directive has been introduced across the European Union:

- To recycle waste electrical products using the best available recovery and recycling techniques in order to minimize the impact on the environment.
- To treat any hazardous substances.
- To avoid increasing landfill.

WEEE product should be disposed of by handing it over at a designated collection point.
For more information about where you can drop off your waste product for recycling, please contact your local authority.

SUPPORT

Please, for your own convenience, make these simple checks before calling the service line. If the unit still fails to operate call: 0330 390 3062 or complete the online form

1. Is the unit plugged into the mains?
2. Is the fuse OK?
3. Switch the unit off and wait ten minutes to see if the issue is resolved. Restart the unit.

Office hours: 9AM - 5PM Monday to Friday

BuyItDirect
Unit J6, Lowfields Business Park,
Lowfields Way, Elland,
West Yorkshire, HX5 9DA



TECHNICAL SPECIFICATION

Description of Product	Wall-mounted & Embedded
Model	AGL049 72"
Rated Voltage	220-240V ~
Rated Frequency	50 Hz
Rated Power	Max 1400W
Dimensions (W) x (H) x (D)72"	1828.8 x 177 x 553mm
Weight 72"	53.9Kg

Model Identifier: AGL049					
Item	Symbol	Value	Unit	Item	Unit
Heat Output				Type of heat input, for electric storage local space heaters only (select one)	
Nominal heat output	P _{nom}	1.2	kW	manual heat charge control, with integrated thermostat	No
Minimal heat output	P _{min}	N/A	kW	manual heat charge control with room and/or outdoor temperature feedback	No
Maximum continuous heat output	P _{max}	N/A	kW	electronic heat charge control with room and/or outdoor temperature feedback	No
Auxiliary electricity consumption				fan assisted heat output	No
At nominal heat output	e _{lmax}	N/A	kW	Type of heat output/room temperature control (select one)	
At minimum heat output	e _{lmin}	N/A	kW	single stage heat output and no room temperature control	No
In standby mode	e _{lSB}	N/A	kW	two or more manual stages, no room temperature control	No
				with mechanical thermostat room temperature control	No
				with electronic room temperature control	No
				with electronic room temperature control plus day timer	No
				with electronic room temperature control plus week timer	Yes
				Other control options (multiple selections possible)	
				room temperature control with presence detection	No
				room temperature control, with open window detection	Yes
				with distance control option	No
				with adaptive start control	No
				with working time limitation	No
				with black bulb sensor	No
Contact Details	BuyItDirect, Unit J6, Lowfields Business Park, Lowfields Way, Elland, West Yorkshire, HX5 9DA				

20221807