

INSTRUCTIONS

LED BATHROOM MIRRORS WITH BUTTON SWITCH

NOTES

To ensure proper use of the product, it is a requirement to set out wires according to IEE regulations. The products are only intended for installation on indoor solid walls. Installation must be carried out by a professional electrician, incorrect installation may lead to a damaged/faulty product and personal injury.

TOOLS REQUIRED:



TAPE MEASURE



PENCIL



LEVELING
INSTRUMENT



DRILL
8MM DRILL BIT



CROSS HEAD
SCREWDRIVER



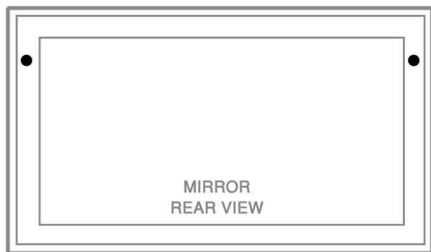
HAMMER

INSTALLATION INSTRUCTIONS:

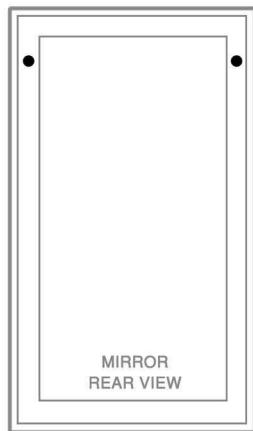
- Ensure the wall where the mirror is to be fitted is solid and take note of any existing pipework or electrical cables prior to marking out the drill positions.
- Mirrors can be mounted horizontally or vertically, depending on the style.
- Measure the distance between the two appropriate hanging holes on the rear of the mirror depending on whether the mirror is horizontal or vertical. See figure 1.

FIGURE 1

HORIZONTAL MIRROR STYLE



VERTICAL MIRROR STYLE

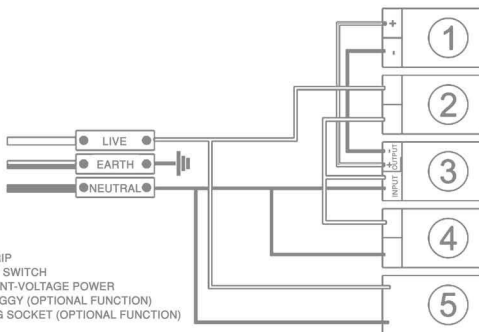
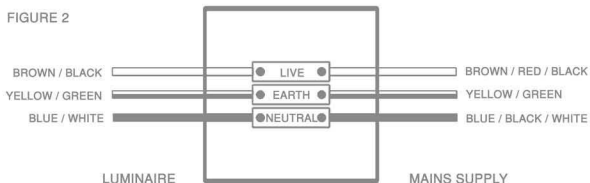


- Isolate any power to the circuit on to which the mirror is being fitted and mark out the position of any existing wiring or pipework.
- The measurement taken from the rear of the mirror will give you the two positions for your drill holes, mark these with a pencil on the wall, taking in to account the height you want the mirror to sit at and also the position of your mains power supply and the electrical cord up to the mirror.

- Check the marked out drill holes are level with the spirit level tool.
- Drill the mounting holes using an appropriate drill bit for the type of wall you have. Insert the wall plugs, then using a screwdriver insert the screws provided and tighten. Leaving 8-12mm thread visible to allow for mounting the mirror.
- Connect the mains electricity supply to the terminal block as outlined on figure 2.
- Test the mirror works before final installation.
- Hang the mirror on to the screws and tighten with a screwdriver.

WIRING DIAGRAM FOR INPUT TERMINAL

FIGURE 2



- 1 LED STRIP
- 2 BUTTON SWITCH
- 3 CONSTANT-VOLTAGE POWER
- 4 ANTI-FOGGY (OPTIONAL FUNCTION)
- 5 SHAVING SOCKET (OPTIONAL FUNCTION)

TIPS

- During operation never put hard or sharp materials directly against the mirror surface, it may result in current leakage and personal injury.
- Never forget to turn off the power switch during stormy weather, as lightning may damage electric elements of the product.
- Never force the power plug out to stop the power, this could damage the product.
- Pull the power plug out if the product is not used for long periods of time.