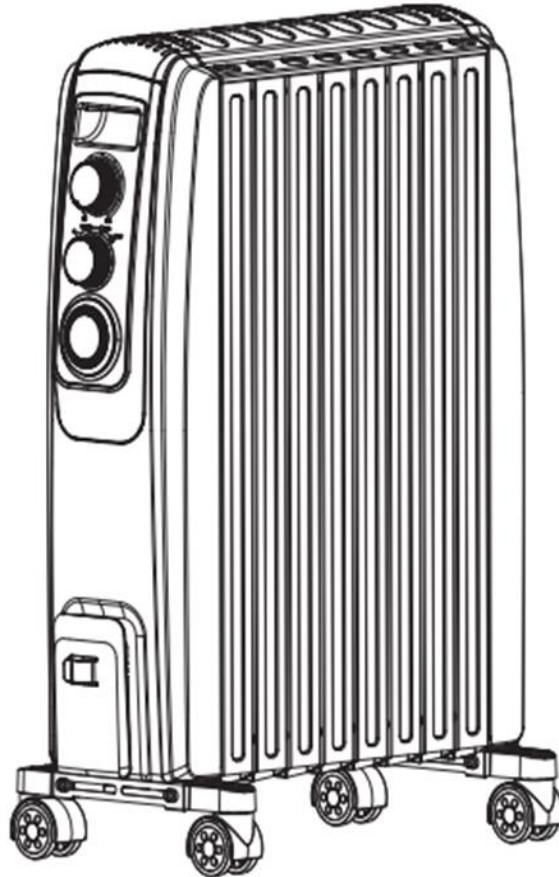


electriciQ

USER MANUAL



2000W OIL FILLED RADIATOR WITH MECHANICAL TIMER

**EDR-TRM0820B
EDR-TRM0820W**

Thank you for choosing electriciQ
Please read the manual before using this heater
and keep it safe for future reference.

Visit our page www.electriQ.co.uk for our entire product range

**THIS PRODUCT IS ONLY SUITABLE FOR WELL INSULATED SPACES OR
OCCASIONAL USE.**

SETTLING IN OK?

We hope this has been helpful to you.

We would love to see how you're getting on with your new purchase, so please share any snaps you have on the platform of your choice below.

Our community awaits your uploads - Snap, tag and hashtag away!



@electriQUK
#electriQUK

WE'RE HERE TO HELP

Should you have any problems or questions with your purchase, please contact a member of our customer service team.

☎ 0330 390 3061

✉ support@electriQ.co.uk

Mon-Fri | 9am to 5pm


Unit 2A, Trident Business Park,
Neptune Way, Leeds Road,
Huddersfield, HD2 1UA

CONTENTS

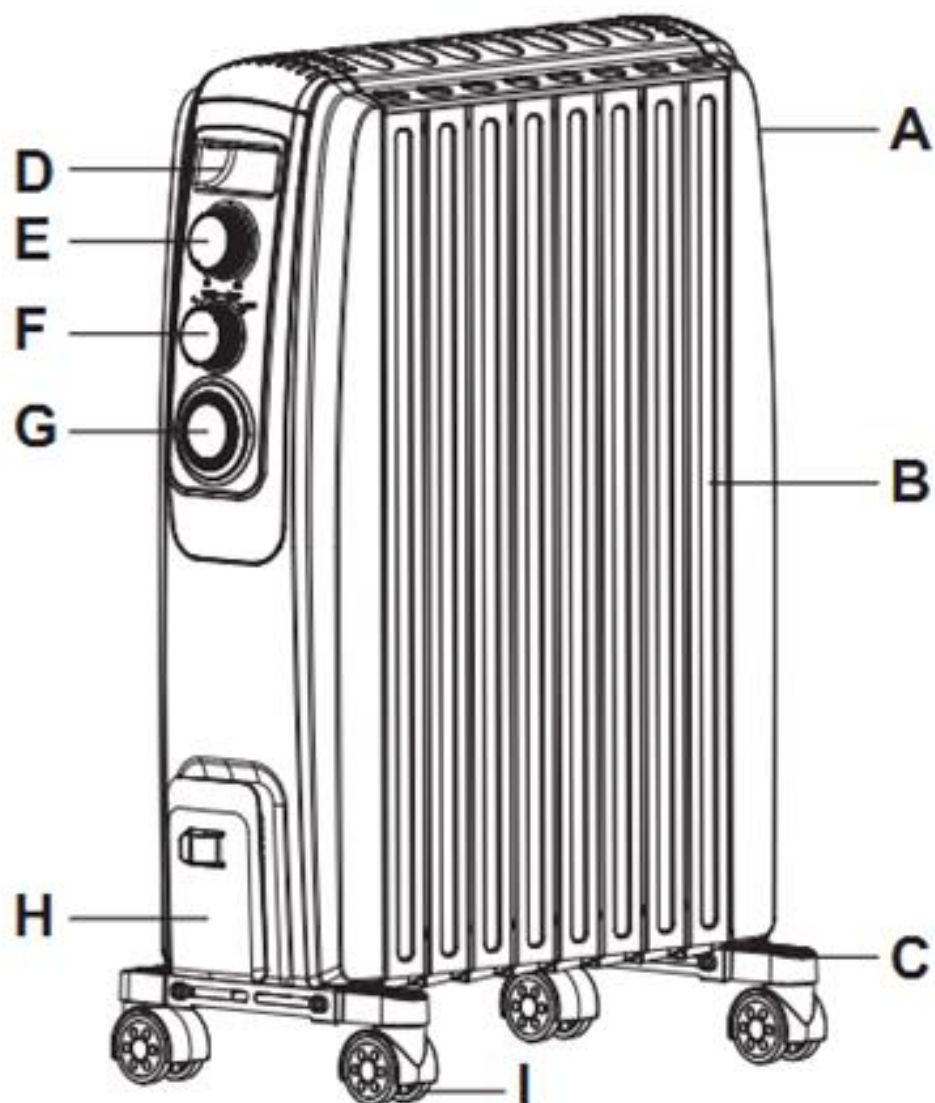
SAFETY INSTRUCTIONS	4
PRODUCT OVERVIEW	6
KEY FEATURES	6
PREPARING FOR USE	7
CONTROL PANEL	8
OPERATING THE HEATER	9
CLEANING, MAINTENANCE AND STORAGE	10
TROUBLESHOOTING	10
TECHNICAL DATA	11
SUPPORT	11
PRODUCT FICHE	12

IMPORTANT SAFETY INSTRUCTIONS

- Carefully read the instructions before operating the unit.
- Do not use the appliance for anything other than its intended use. It is designed for domestic indoor use only.
- Rating: This unit must be only connected to a 220-240 V / 50 Hz earthed outlet.
- Installation must be in accordance with regulations of the country where the unit is used.
- If you are in any doubt about the suitability of your electrical supply have it checked and, if necessary, modified by a qualified electrician.
- This heater has been tested and is safe to use. However, as with any electrical appliance use it with care.
- Disconnect the power from the unit before dismantling, assembling or cleaning.
- Never insert fingers, pencils or any other objects through the guard.
- This appliance can be used by children aged from 8 years and above and persons with reduced physical, sensory or mental capabilities or lack of experience and knowledge if they have been given supervision or instruction concerning use of the appliance in a safe way and understand the hazards involved. Children shall not play with the appliance. Cleaning and user maintenance shall not be carried out by children.
- Children aged from 3 years and less than 8 years shall only switch on/off the appliance provided that it has been placed or installed in its intended normal operating position and they have been given supervision or instruction concerning use of the appliance in a safe way and understand the hazards involved. Children aged from 3 years and less than 8 years shall not plug in, regulate, or clean the appliance or perform user maintenance.
- Children under 3 years should be kept away unless continuously supervised.
- CAUTION - Some parts of this product can become very hot and cause burns. Particular attention has to be given where children and vulnerable people are present.
- Do not clean the unit by spraying immersing the appliance in water.
- Never connect the unit to an electrical outlet using an extension cord. If an outlet is not available, one should be installed by a qualified electrician.
- Never operate this appliance if the unit, cord or plug is damaged. Ensure the power cord is not stretched, exposed to sharp objects/edges, or routed under the unit.
- Any service other than regular cleaning should be performed by an authorised service representative. Failure to comply could result in a voided warranty.
- This heater is filled with a precise quantity of special oil.
- Do not attempt to repair, disassemble or modify the appliance. This

- unit contains no user-serviceable parts.
- Regulations concerning the disposal of oil when disposing of the appliance have to be followed
- **WARNING:** Do not use this heater in small rooms when they are occupied by persons not capable of leaving the room on their own, unless constant supervision is provided.
- Never use the plug as a switch to start and turn off the heater. Use the power dial located on the control panel.
- Do not use an external timer.
- **WARNING:** In order to avoid overheating, do not cover the heater. The radiator is also marked with the symbol to the right which has the same meaning. 
- The heater must not be located immediately below a socket outlet.
- Always place the unit on a dry and stable surface. Do not move or tilt the unit.
- The unit has an anti-tip function and must be operated in an upright position. If the unit is not upright, it will cease to function.
- Avoid keeping the unit in direct sunlight for a long period of time.
- The heater is designed to be used at temperatures above -20°C . If it is exposed to temperatures below this, it must be allowed to warm above this level before operation.
- Always unplug or disconnect the appliance from the mains power supply when not in use, or when moving or cleaning it. Do not pull the cord to unplug the heater.
- Keep the heater clean. Do not allow any object to enter the ventilation or exhaust opening as this may cause electric shock, fire, or damage to the heater.
- There may be a trace of odour during the first few minutes of initial use, or after a period of storage. This is normal and will quickly disappear.
- Do not use this heater in the immediate surroundings of a bath, a shower or a swimming pool. Never locate this appliance where it may fall into a bathtub or otherwise become exposed to water.
- Do not use this heater if it has been dropped, if there are visible signs of damage or signs of leakage. Immediately unplug the unit from the mains power supply and contact the supplier.
- **WARNING:** To reduce the risk of fire, keep textiles, curtains, or any other flammable material a minimum distance of 1 m from the air outlet.
- The heater is hot when in use. To avoid burns, do not let bare skin touch the hot surfaces.
- **WARNING:** To reduce the risk of fire or electrical shock, DO NOT use this appliance with any solid-state speed control device or any variable speed controllers.
- The diagrams in this manual are for illustrative purposes only. There may be variations due to our continual product development.

PRODUCT OVERVIEW



A. Handle

C. Extendable legs

E. Thermostat dial

G. 24 Hour timer

I. Castors

B. Heater

D. Handle

F. Power dial

H. Power cable storage

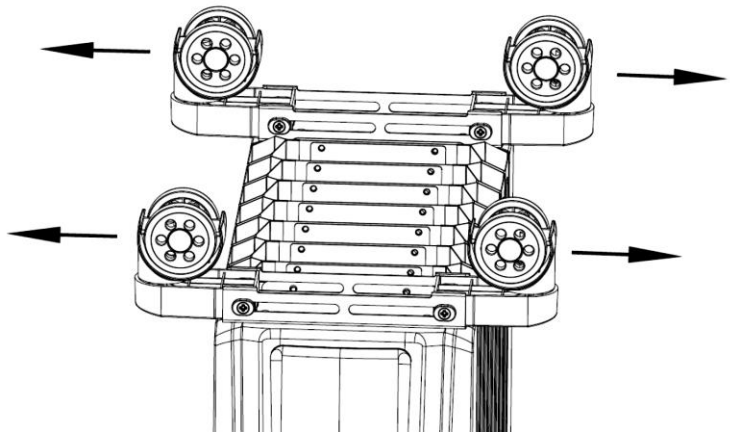
KEY FEATURES

- 3 Power Settings 800, 1200, and 2000W.
- Castors and handles for portability.
- 24 Hour timer.
- Thermostat.
- Anti-tip Sensor - The appliance will turn off if not upright.

PREPARING FOR USE

IMPORTANT! Two people are recommended for assembly

- On a soft surface, turn the radiator upside down. It is recommended that one person holds the radiator steady during assembly to prevent damage.
- Carefully slide out each of the four legs until they are fully extended.
- Once the legs are extended, gently turn the unit to its upright position.



WARNING: Do not operate without the castors. Only operate the heater in an upright position with the legs fully extended.

POSITIONING THE HEATER

- Place the unit in an upright position on a flat, stable and heat-resistant surface.
- Ensure that there are no flammable or heat-sensitive materials or substances within 1m of the unit.
- Do not cover the heater.

CONNECTING THE HEATER

- Before inserting the plug into a suitable socket, ensure that the appliance is intact, properly assembled and that there are no signs of damage to the appliance or its power cable.
- To avoid overloading a circuit, do not use the appliance on a circuit with other high powered equipment unless you have confirmed the circuit is suitable.
- Do not use with an extension lead.
- With the power switch is in the OFF position, insert the plug into an earthed socket before following the operating instructions to use the product.

CONTROL PANEL

CARRY HANDLE

THERMOSTAT DIAL

Use to select the desired room temperature. The unit will heat and the relevant power indicator will illuminate when the room temperature is below the level set.

POWER INDICATORS

(Illuminate only while heating)

LOW – 800W

MED – 1200W

ALL THREE – 2000W

POWER DIAL

Use to select the heating power of the unit:

O – OFF

LOW – 800W

MED – 1200W

HIGH – 2000W

TIMER DIAL

Use to set the 24 hour timer.

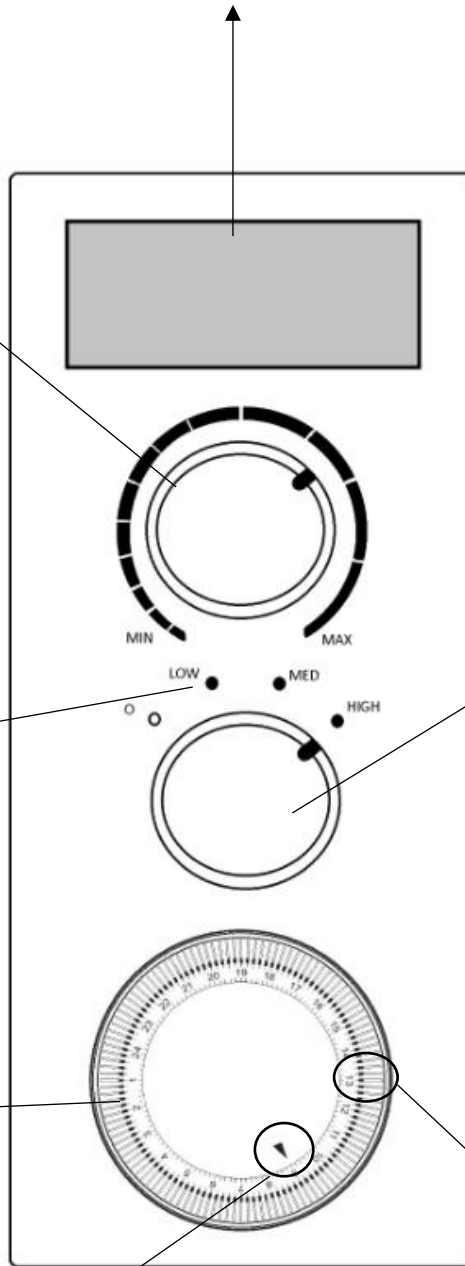
CURRENT TIME

Rotate the dial clockwise so that the arrow points at the current time

Off – Segment pressed to the inside of the dial

On – Segment pressed to the outside of the dial

Each segment represents 15 minutes



OPERATING THE HEATER

Before operating the unit, ensure the guidance on preparing the product for use has been followed.

MANUAL OPERATION

1. Ensure that all the segments on the timer dial are pushed to the on position (Towards the outside of the dial)
2. Turn the power dial clockwise from “O” to select the desired power level.
3. Set the desired room temperature – Turn the thermostat dial clockwise until the unit turns on (Unit will click and the relevant power indicator will illuminate). This position marks approximately the current room temperature. Turn the dial clockwise to select a warmer room temperature, and anticlockwise to select a colder one. The appliance will heat when the room temperature is below the temperature set, and will turn off when the room temperature is above it.
4. To turn the heater off, turn the power dial to “O”.

When the heater is not in use, unplug it from the mains and store correctly in an upright position.

TIMER OPERATION

1. Set the current time by rotating the timer dial clockwise until the arrow points to the correct time on the outside of the dial. The time is shown in hours, with markers for 15 minute increments between them.
2. Set the timer for the full 24 hours by pushing the segments of the timer dial to the inside for the periods of time you want the unit to be off, and ensuring the segments are pushed to the outside for the periods you want the heater to operate.
3. Check the position of the thermostat dial for the desired room temperature. We would usually suggest the ideal position is obtained while using the unit manually before setting the timer. See the section above for more information.
4. Turn the power dial to select the desired power level.

NOTES:

- The timer dial will not allow the currently operating 15-minute period to be adjusted, and so the timer dial should be rotated to change the time, if the current period required changing, before resetting the clock.
- The timer is electrically operated, and so any loss of power will result in the clock stopping, and the current time been lost.
- The power indicators on the appliance will only illuminate when the heating element is working within the unit.
- The appliance will continue to be warm after heating of the element has finished, due to the heat retained in the appliance.

CLEANING, MAINTENANCE AND STORAGE

ATTENTION: Please turn off the appliance and unplug from the mains before cleaning or performing any maintenance.

- Clean the heater with a duster or a soft wet cloth.
Do not use chemical solvents (such as benzene, alcohol or gasoline) as they may cause irreversible damage. Make sure no water enters the control panel or gaps in the casing.
- Allow the unit to completely dry before operating.
- Place the heater in its original box or cover to protect it from dust when not in use.
- Store it in a cool dry place.

Do not repair or disassemble the unit by yourself, unauthorised repair attempts will invalidate the warranty and may cause bodily harm.

TROUBLESHOOTING

Issue	Possible Reason	Solution
No power	The power dial is in the off position.	Ensure the desired power level is selected.
	The timer is set to off	If using manually ensure all the segments are pushed to the outside of the dial.
	Desired room temperature is set too low.	Turn the thermostat to MAX and check if the unit operates.
	Power cord is disconnected	Ensure the plug is fully inserted into the socket.
	There is no power from socket	Ensure the socket is turned on, and is functioning with other devices.
	The fuse has blown	Replace the fuse in the plug
Odour emission from unit	When the unit is used for the first time the unit may produce an odour which will dissipate after a short period of use	No action required.
Knocking noise when turned on	This is due to the heating of the liquid within the radiator and will stop when the radiator reached temperature	No action required.
Strong vibrations and noise	Unit is not placed on a flat surface	Place on a flat surface. May put an anti-vibration mat underneath
	Unit may be damaged	If the heater is damaged discontinue use and contact the service centre.
Unit is leaking	Unit may be damaged	If the heater is damaged discontinue use and contact the service centre.

If the above solutions do not resolve the problem please contact the service centre.

electriQ UK SUPPORT

www.electriQ.co.uk/support

Please, for your own convenience, make these simple checks before calling the service line.

If the unit still fails to operate call: 0330 390 3061 or complete the online form

1. Is the unit plugged into the mains?
2. Is the fuse OK?
3. Switch the unit off and wait three minutes to see if the issue is resolved. Restart the unit.

Office hours: 9AM - 5PM Monday to Friday

www.electriQ.co.uk
Unit 2A, Trident Business Park,
Neptune Way, Leeds Road,
Huddersfield, HD2 1UA.

TECHNICAL SPECIFICATIONS

Model	EDR-TRM0820B / EDR-TRM0820W
Voltage	220V-240V
Frequency	50Hz
Power	2000W
Dimensions (L X W X H)	48 x 26 x 67cm
Weight	12.8 Kg
Power cord length	1.5M

Disposal: Do not dispose this product as unsorted municipal waste. Collection of such waste must be handled separately as special treatment is necessary.



Recycling facilities are now available for all customers at which you can deposit your old electrical products. Customers will be able to take any old electrical equipment to participating civic amenity sites run by their local councils. Please remember that this equipment will be further handled during the recycling process, so please be considerate when depositing your equipment. Please contact the local council for details of your local household waste recycling centres.

ENERGY SAVING AND UNIT SAFETY PROTECTION TIPS

- Do not cover or restrict the airflow. Do not use in dusty environment.
- For safety and maximum performance, the minimum distance from a wall or objects should be 1m.

PRODUCT FICHE

Model Identifier: EDR-TRM0820B EDR-TRM0820W					
Item	Symbol	Value	Unit	Item	Unit
Heat Output				Type of heat input, for electric storage local space heaters only (select one)	
Nominal heat output	P _{nom}	2.0	kW	manual heat charge control, with integrated thermostat	No
Minimal heat output	P _{min}	0.8	kW	manual heat charge control with room and/or outdoor temperature feedback	No
Maximum continuous heat output	P _{max}	2.0	kW	electronic heat charge control with room and/or outdoor temperature feedback	No
Auxiliary electricity consumption				fan assisted heat output	No
At nominal heat output	e _{lmax}	N/A	kW	Type of heat output/room temperature control (select one)	
At minimum heat output	e _{lmin}	N/A	kW	single stage heat output and no room temperature control	No
In standby mode	e _{lsb}	0.25	W	two or more manual stages, no room temperature control	No
				with mechanical thermostat room temperature control	Yes
				with electronic room temperature control	No
				with electronic room temperature control plus day timer	No
				with electronic room temperature control plus week timer	No
				Other control options (multiple selections possible)	
				room temperature control with presence detection	No
				room temperature control, with open window detection	No
				with distance control option	No
				with adaptive start control	No
				with working time limitation	Yes
				with black bulb sensor	No
Contact Details	electriQ, Unit 2A, Trident Business Park, Neptune Way, Huddersfield, HD2 1UA. Buy It Direct, The Black Church, St Marys Place, Dublin 7, Ireland				

V20220929