

# electriQ

## USER MANUAL



### **CANOPY COOKER HOOD** **eiQCHDD60 & eiQCHDD90**

Thank you for choosing your electriQ cooker hood.

This instruction manual is designed to provide you with all required instructions related to the installation, use and maintenance of the appliance. In order to operate the unit correctly and safely, please read this instruction manual carefully before installation and usage.

# **CONTENTS**

SAFETY	2
INSTALLATION	4
CONTROL PANEL	6
FILTER INFORMATION	7
BULB REPLACEMENT	9
CLEANING AND MAINTENANCE	10
TROUBLESHOOTING	10
SUPPORT	11
PRODUCT FICHE	12

## **SAFETY PRECAUTIONS**

Whilst this product is compliant with all safety requirements, incorrect or inappropriate use can lead to both personal injury and potential damage to property. Please read the contents of this instruction booklet thoroughly before fitting or using this appliance.

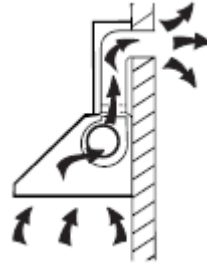
- The cooker hood must be installed in accordance with the installation instructions and all measurements followed.
- All installation work must be carried out by a competent person or qualified electrician.
- The unit must be connected to an earthed power supply.
- If venting externally, make sure the ducting has no bends sharper than 90 degrees as this will reduce the efficiency of the cooker hood.
- The cooker hood is for domestic use only and is not designed for commercial use. It should only be used for the purpose it was intended – to extract vapours and cooking odours.
- Do not flambé or use an open flame under the cooker hood.
- Do not try to use the cooker hood without the grease filters or if the filters are excessively greasy. They should be cleaned regularly (see “Maintenance”) or replaced as necessary.
- The extraction fan must be level to avoid grease collection at one end, as this could cause a potential fire risk.
- Do not leave frying pans unattended during use because overheated fat or oils might catch fire.
- If the cooker hood is damaged, do not attempt to use it.
- If the supply cord is damaged, it must be replaced by the manufacturer, its service agent or a similarly qualified person in order to avoid a hazard.
- This appliance can be used by children aged from 8 years and above and persons with reduced physical, sensory or mental capabilities or lack of experience and knowledge if they have been given supervision or instruction concerning use of the appliance in a safe way and understand the hazards involved.
- Children shall not play with the appliance. Cleaning and user maintenance shall not be made by children without supervision.
- Children should be supervised to ensure that they do not play with the appliance. It is not a toy.
- The plug must be accessible after installation for isolation in case of an emergency – or an appropriate fused switch if the unit is hard-wired to the mains via a spur.

- The minimum distance between the surface of the hob and the lowest part of the hood should be at least 65cm. A distance of between 65cm and 75cm gives peak efficiency.
- The air must not be discharged into a flue that is used for exhausting fumes from appliances burning gas or other fuels.
- When the hood is vented externally and used with appliances which burn fuel (e.g. gas, oil, wood) the area must be sufficiently ventilated to ensure safe operation. Fresh air must be allowed to freely enter the room to prevent a partial vacuum.
- A partial vacuum can starve the heating appliance of oxygen, impairing combustion. It can also prevent toxic fumes from leaving the room, or can cause fumes to be sucked into the room from outside.
- Safe operation is only possible when the partial vacuum within the working area does not exceed 4 Pa (0.04 mbar). This can be achieved by ensuring air is able to enter the room from outside through a suitable sized opening which cannot be sealed during operation. A number of alternative solutions are available to ensure this. If in any doubt, professional advice should be sought.
- Regulations concerning the discharge of air have to be fulfilled.
- There is a potential fire risk if cleaning is not carried out in accordance with the instructions.
- Clean your appliance periodically by following the method given in the chapter MAINTENANCE
- If used in recirculation mode, the charcoal filters trap odours and must be replaced at least once a year depending on how frequently the cooker hood has been used.
- For safety reasons, please use only the same size of fixing or mounting screw, which are recommended in this instruction manual.
- Warning: Failure to install the screws or fixing device in accordance with these instructions may result in electrical hazards

**CAUTION: Accessible parts of the hood can become very hot during use with cooking appliances, whether in use or not, due to heat rising from the hob. Sufficient time should be allowed for the unit to cool before touching either the housing or the grease filters**

## INSTALLATION (VENT OUTSIDE)

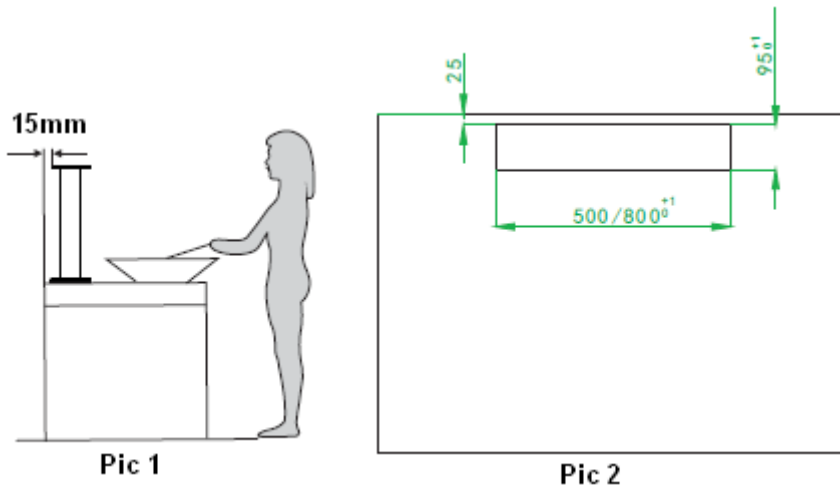
If you have an outlet to the outside, your cooker hood can be connected as below picture by means of an extraction duct (enamel, aluminum, flexible pipe or non-flammable material with an interior diameter of 150mm)



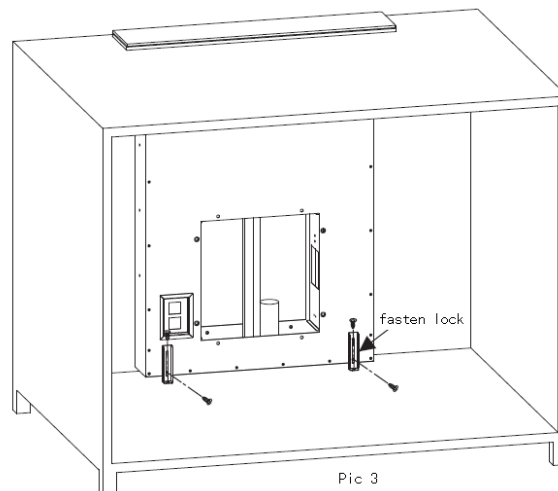
Before installation, turn the unit off and unplug it from the outlet.



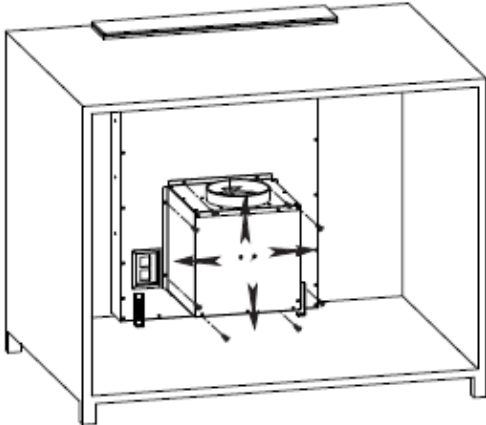
1. The cooker hood should be placed at a distance of 15mm from the wall at least. (See Pic1)



2. Put the hood into the hole of the cabinet. (See pic 2) Use 4pcs screws (ST4\*8) & screws (ST4\*14) & fasten lock to fix the hood. (See pic 3)

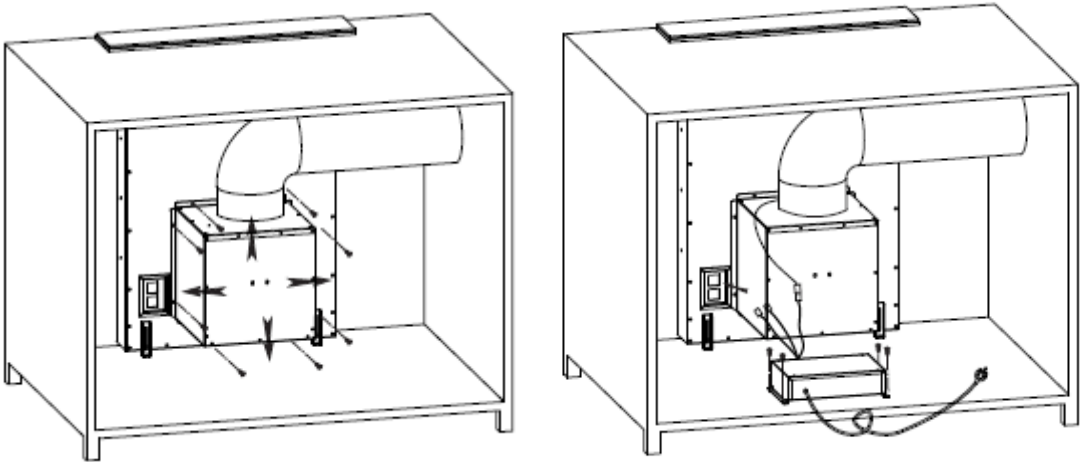


3.Connect the cavity & hood by 8pcs screws (M10\*10), the wind direction are up, down, left, right, the user can select according to the space of the cabinet.(See pic 4)

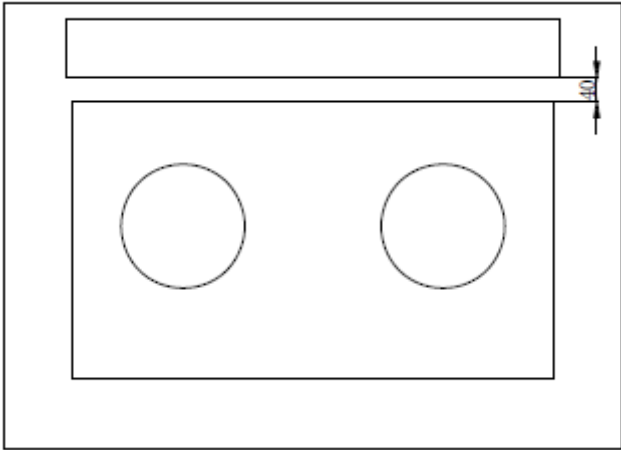


Pic 4

4.Fix the pipe on the outlet, and use 4pcs screws (ST4\*14) to fix the PCB box, connect the power and finish the installation.(See pic 5) The distance between the edge of cooker hood and the electrical hob or induction hob should be at least 40mm. Refer to pic 6.








Pic 5



Pic 6

## CONTROL PANEL

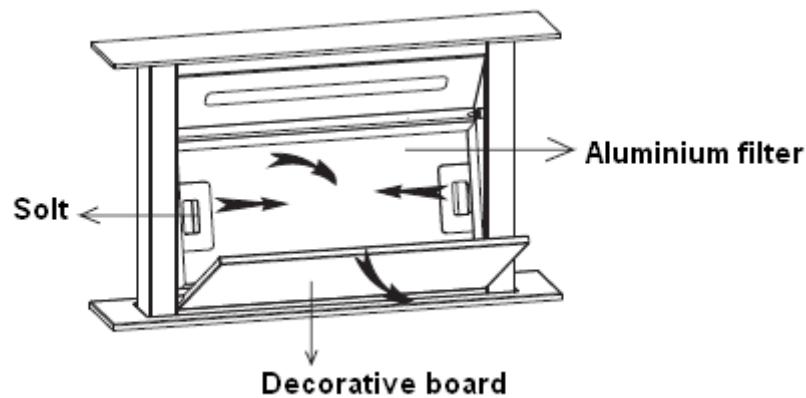


<p><b>TIMER</b></p>		<p>Press the timer button to enter the timer settings. To cycle through time settings, use the slide control. The timer can be set to turn off after 5-10-15-20-25-30-35-40 minutes.</p> <p>When the timer has elapsed all functions will be turned off and the hood will enter into standby, the decorative cover will close automatically.</p> <p>Press the speed or light button to cancel the timer.</p>
<p><b>LIGHT</b></p>		<p>Press the light button to turn on the light, then use the slide control to change the brightness. Press again to turn off the light.</p>
<p><b>SLIDE CONTROL</b></p>		<p>Use the slide control to increase or decrease the fan speed, light brightness and the timer.</p>
<p><b>FAN</b></p>		<p>Press the fan button to turn on the fan. Use the slide control to increase or decrease the fan speed. Press the fan button again to turn off the fan.</p>
<p><b>POWER</b></p>		<p>Press and hold the power button for 2 seconds to turn ON/OFF</p>

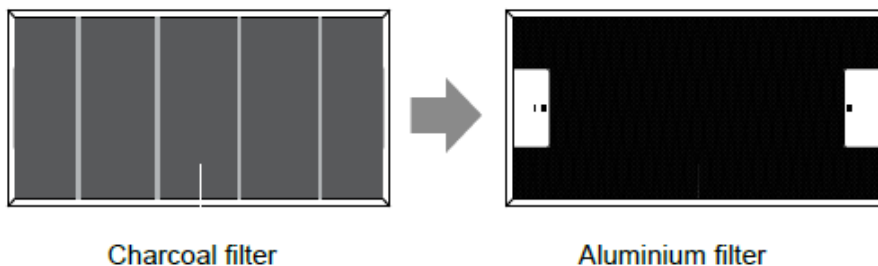
## GREASE MESH FILTERS

The mesh filters can be cleaned by hand.

- Remove the decorative board and wipe it clean with a damp cloth. Then, remove the aluminium filter by pressing and holding the 2 slots.



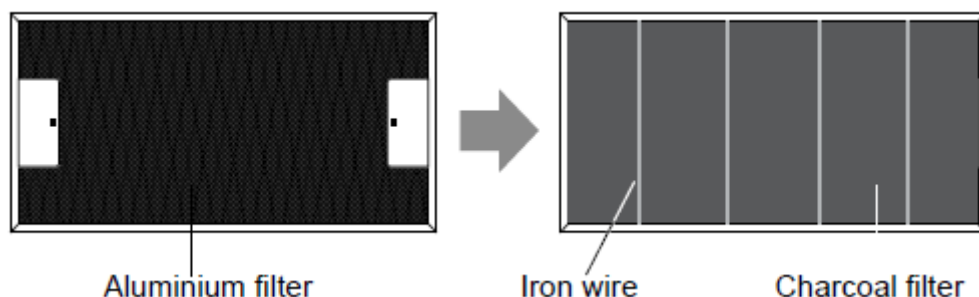
- Place the aluminium filter upside down. Then detach the charcoal filter.



- Soak the aluminium filter into the solution of warm water and mild detergent for about 10 minutes.

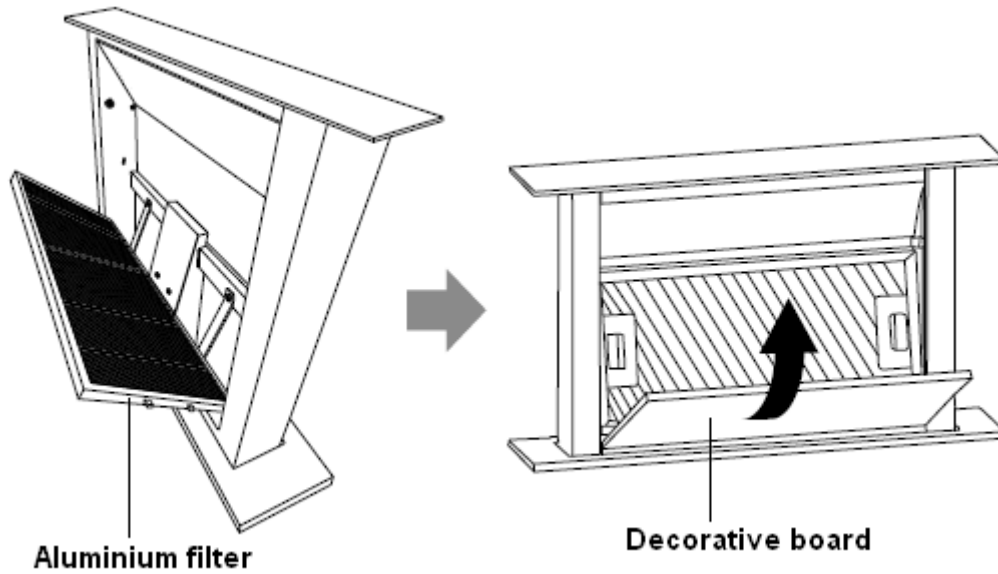
## Attaching filters

- After cleaning, attach the charcoal filter to the aluminium filter. Then secure with the 3/4 iron wires. (Model 60CM has 3 iron wires and Model 90CM has 4 iron wires.) Please note: The charcoal filter is not included in the product.



- Insert the aluminium filter into the cooker hood. Then insert the decorative board and close it into place.





**NOTE:**

- Make sure the filter is securely locked. Otherwise, it would loosen and cause danger.
- When activated carbon filter attached, the suction power will be lowered.

Replacements are available from the retailer the hood was purchased from under references:

Model: eiQCHDD60  
Grease filter: eiQGFDD  
Carbon filter: eiQCFDD

Model: eiQCHDD90  
Grease filter: eiQGF90DD  
Carbon filter: eiQCF90DD

## BULB REPLACEMENT

Note:

- Before changing the lights, make sure that the appliance is turned off and unplugged.
- Protect against danger when changing lights, such as wearing gloves.

### Changing the light

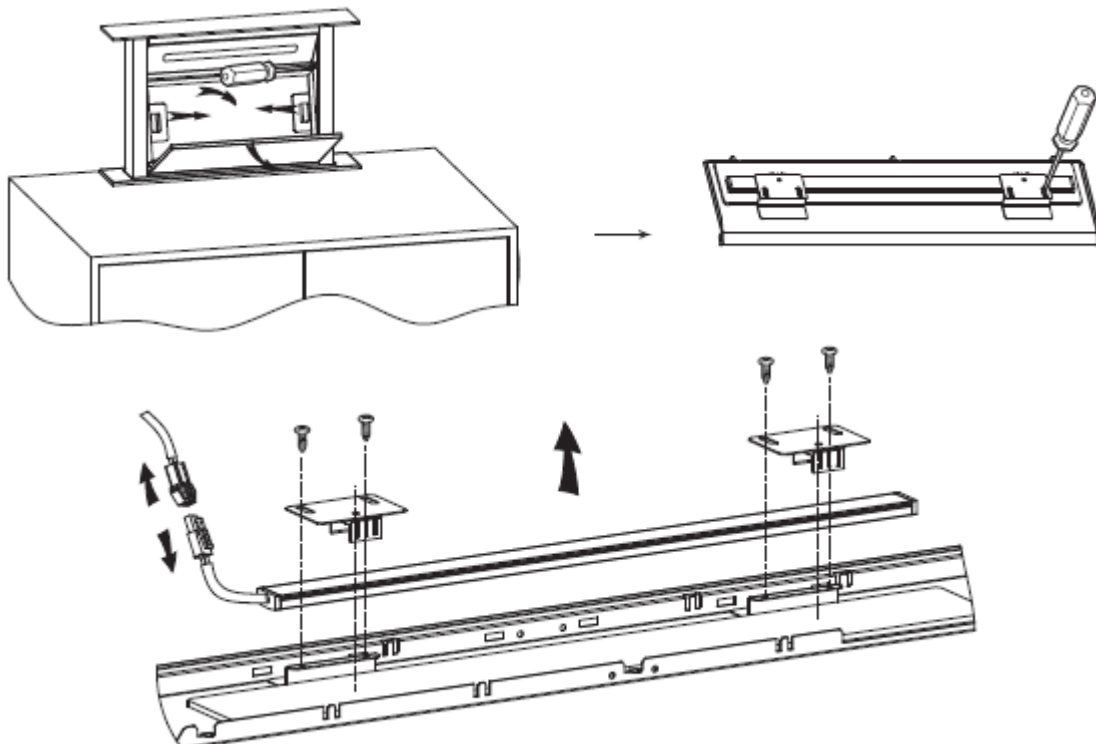
1. Remove the decorative board and aluminum mesh, remove the two screws of the fixed lamp board with a screwdriver.
2. Unscrew the 4pcs screws on the LED light strip bracket by cross screwdriver, dismantle the LED light strip and pull out the terminal of the light connecting wire.
3. Apply the reverse procedure to reinstall the light strip.

### For model 60CM:

- ILCOS D code for this lamp is: DSL-4-S-350
- LED modules –LED lamp strip
- Max wattage: 1×4 W
- Voltage range: DC 12V
- Dimensions: 350mm

### For model 90CM:

- ILCOS D code for this lamp is: DSL-5-S-450
- LED modules –LED lamp strip
- Max wattage: 1×5 W
- Voltage range: DC 12V
- Dimensions: 450mm



## MAINTENANCE

Before cleaning, switch the unit off and pull out the plug, or switch off at the relevant mains switch if the unit has been hard-wired in. Make sure the unit has no power being fed to it.

## REGULAR CLEANING

Use a soft cloth moistened with warm mildly soapy water or household cleaning detergent. Never use metal pads, chemicals, abrasive material or a stiff brush to clean the unit.

**NOTE:** Do not use a steam-cleaner to clean the hood; electrical components could be damaged or short-circuit as a result.

## TROUBLESHOOTING

Fault	Possible Cause	Solution
Light on, but motor does not work	Fan switch turned off	Select a fan switch position.
	Fan switch failed	Contact service center.
	Motor failed	Contact service center.
Light does not work, motor does not work	House fuses blown	Reset/Replace fuses.
	Power cord loose or disconnected	Refit cord to power outlet. Switch power outlet on.
Oil leakage	One-way valve and the outlet are not tightly sealed	Take down the one way valve and seal with sealant.
	Leakage from the connection of chimney and cover	Take chimney down and seal.
Lights not working	Broken/Faulty globes	Replace globes as per this instruction.
Insufficient suction	The distance between the cooker hood and the gas top is too far	Refit the cooker hood to the correct distance.
The Cooker hood inclines	The fixing screw not tight enough	Tighten the hanging screw and make it horizontal.

### NOTE:

Any electrical repairs to this appliance must conform to your local, state and federal laws. Please contact the service center if in any doubt before undertaking any of the above. Always disconnect the unit from the power source when opening the unit.

## INFORMATION FOR DISMANTLING

Do not dismantle the appliance in a way which is not shown in the user manual. The appliance could not be dismantled by user. At the end of life, the appliance should not be disposed of with household waste. Check with your Local Authority or retailer for recycling advice.

## electriQ UK SUPPORT

[www.electriQ.co.uk/support](http://www.electriQ.co.uk/support)

Call: 0871 984 4416

Office hours: 9AM - 5PM Monday to Friday

[www.electriQ.co.uk](http://www.electriQ.co.uk)

Unit J6, Lowfields Business Park  
Lowfields Way, Elland  
West Yorkshire, HX5 9DA



Recycling facilities are now available for all customers at which you can deposit your old electrical products. Customers will be able to take any old electrical equipment to participating sites run by their local councils. Please remember that this equipment will be further handled during the recycling process, so please be considerate when depositing your equipment. Please contact the local council for details of your local household waste recycling centers.

## PRODUCT FICHE

	Symbol	Value	Unit
Model identification		eiQCHDD60	
Annual Energy Consumption	$AEC_{hood}$	40.1	kWh/a
Time increase factor	f	0.9	
Fluid Dynamic Efficiency	$FDE_{hood}$	29.3	
Fluid Dynamic Efficiency class		Class A	
Energy Efficiency Index	$EEl_{hood}$	50.3	
Energy Efficiency class		Class A	
Maximum airflow	$Q_{max}$	563.8	m <sup>3</sup> /h
Measured airflow rate at the best efficiency	$Q_{BEP}$	280.5	m <sup>3</sup> /h
Measured air pressure at best efficiency point	$P_{BEP}$	426	Pa
Measured electric power input at best efficiency point	$W_{BEP}$	113.2	W
Nominal power of the lighting system	$W_L$	4.0	W
Average illumination of the lighting system on the cooking surface	$E_{middle}$	128	lux
Measured power consumption on off mode	$P_o$	0.46	W
Measured power consumption on standby mode	$P_s$	-	W
Sound power level	$L_{WA}$	Highest setting:72 Lowest setting:58	dB

	Symbol	Value	Unit
Model identification		eiQCHDD90	
Annual Energy Consumption	$AEC_{hood}$	46.8	kWh/a
Time increase factor	f	0.9	
Fluid Dynamic Efficiency	$FDE_{hood}$	31.4	
Fluid Dynamic Efficiency class		Class A	
Energy Efficiency Index	$EEl_{hood}$	51.8	
Energy Efficiency class		Class A	
Maximum airflow	$Q_{max}$	615.4	m <sup>3</sup> /h
Measured airflow rate at the best efficiency	$Q_{BEP}$	342.9	m <sup>3</sup> /h
Measured air pressure at best efficiency point	$P_{BEP}$	433	Pa
Measured electric power input at best efficiency point	$W_{BEP}$	131.3	W
Nominal power of the lighting system	$W_L$	5.0	W
Average illumination of the lighting system on the cooking surface	$E_{middle}$	191	lux
Measured power consumption on off mode	$P_O$	0.46	W
Measured power consumption on standby mode	$P_S$	-	W
Sound power level	$L_{WA}$	Highest setting:72 Lowest setting:53	dB