

electrico

INSTRUCTION MANUAL



MICROWAVE OVEN

Model: **EIQMW25LBL**

Read these instructions carefully before using your microwave oven,
and keep them safe for future reference.

CONTENTS

IMPORTANT SAFETY INFORMATION	3
SETTING UP YOUR OVEN	7
YOUR NEW APPLIANCE	8
TURNTABLE INSTALLATION	8
CONTROL PANEL	9
DISPLAY PANEL	9
OPERATION INSTRUCTIONS	10
SETTING THE CLOCK	10
MICROWAVE COOKING	10
USING THE GRILL	10
COMBINATION COOKING	11
CONVECTION COOKING (WITH PREHEAT)	11
CONVECTION COOKING (WITHOUT PREHEAT)	12
TIMER	12
DEFROST BY WEIGHT	12
DEFROST BY TIME	12
AUTO MENU	12
ONE TOUCH COOKING	14
MULTI-STAGE COOKING	14
CHILD LOCK	14
ENQUIRY FUNCTION	14
NOTER REGARDING OPERATION	15
USE OF SUITABLE UTENSILS	16
CARE AND CLEANING	17
TROUBLESHOOTING	18
SPECIFICATION	18
ELECTRIQ UK SUPPORT	19

PRECAUTIONS TO AVOID POSSIBLE EXPOSURE TO EXCESSIVE MICROWAVE ENERGY

1. Do not attempt to operate this oven with the door open since this can result in harmful exposure to microwave energy. It is important not to break or tamper with the safety interlocks.
2. Do not place any object between the oven front face and the door or allow dirt or cleaner residue to accumulate on sealing surfaces.
3. **WARNING:** If the door or door seals are damaged, the oven must not be operated until it has been repaired by a competent person.

If the apparatus is not maintained in a good state of cleanliness, its surface could be degraded and affect the lifespan of the apparatus and lead to a dangerous situation.

IMPORTANT SAFETY INFORMATION

To reduce the risk of fire, electric shock, injury to persons or exposure to excessive microwave energy when using your appliance, follow basic precautions, including the following:

- Read and follow the specific: "PRECAUTIONS TO AVOID POSSIBLE EXPOSURE TO EXCESSIVE MICROWAVE ENERGY".
- This appliance can be used by children aged from 8 years and above and persons with reduced physical, sensory or mental capabilities or lack of experience and knowledge if they have been given supervision or instruction concerning use of the appliance in a safe way and understand the hazards involved. Children shall not play with the appliance. Cleaning and user maintenance shall not be made by children unless they are older than 8 and supervised. Children less than 8 years of age shall be kept away unless continuously supervised.
- Keep the appliance and its cord out of reach of children less than 8 years.
- If the supply cord is damaged, it must be replaced by the manufacturer, its service agent or similarly qualified persons in order to avoid a hazard.
- **WARNING:** Ensure that the appliance is unplugged before replacing the lamp to avoid the possibility of electric shock.
- **WARNING:** It is hazardous for anyone other than a competent person to carry out any service or repair operation that involves the removal of the cover which gives protection against exposure to microwave energy.
- **WARNING:** Liquids and other foods must not be heated in sealed containers since they are liable to explode.
- When heating food in plastic or paper containers, keep an eye on the oven due to the possibility of ignition.
- Only use utensils that are suitable for use in microwave ovens.
- If smoke is emitted, switch off the appliance and keep the door closed in order to stifle any flames.
- The contents of feeding bottles and baby food jars shall be stirred or shaken and the temperature checked before consumption, in order to avoid burns.

- The oven should be cleaned regularly and any food deposits removed.
- Failure to maintain the oven in a clean condition could lead to deterioration of the surface that could adversely affect the life of the appliance and possibly result in a hazardous situation.
- Do not use a temperature probe with this oven.
- Metallic containers for food and beverages must not be used during microwave cooking.
- The appliance must not be cleaned with a steam cleaner.
- CAUTION: This appliance is designed only for cooking food and is intended for indoor domestic household use only and should not be used for any other purpose or in any other application, such as for non-domestic use or in a commercial environment or for heating a room.
- The microwave oven is intended for heating food and beverages. Drying of food or clothing and heating of warming pads, slippers, sponges, damp cloths and similar may lead to risk of injury, ignition or fire.
- The microwave is not intended to be operated by means of an external timer or separate remote-control system.
- If it is necessary to use an extension cord, its marked electrical rating must be at least as great as the electrical rating of the appliance, and must be 3 core including the earth.
- Incorrect repairs are dangerous. Repairs may only be carried out and damaged power cables replaced by a suitably qualified and competent electrician.
- If the appliance is defective, unplug the unit and contact the retailer or manufacturer for support.
- The cable insulation on electrical appliances may melt when touching hot parts of the appliance. Never bring electrical appliance cables into contact with the microwave.
- During use the appliance will become hot
- Accessories and ovenware may become very hot. Always use oven gloves to remove accessories or ovenware from the cooking compartment.
- Alcoholic vapours may catch fire in the hot cooking compartment. Never prepare food containing large quantities of drinks with a high alcohol content. Only use small quantities of drinks with a high alcohol content. Open the appliance door with care.
- Foods with peel or skin may burst or explode during, or even after, heating. Never cook eggs in their shells or reheat hard-boiled eggs. Never cook shellfish or crustaceans. Always prick the yoke when baking or poaching eggs. The skin of foods that have a peel or skin, such as apples, tomatoes, potatoes and sausages, may burst. Before heating, prick the peel or skin.

Risk of scalding!

- When you open the appliance door, hot steam may escape. Open the appliance door with care. Keep children at a safe distance.
- Microwave heating of beverages can result in delayed eruptive boiling, therefore care must be taken when handling the container. This means that the liquid reaches boiling temperature without the usual steam bubbles rising to the

surface. Even if the container only vibrates a little, the hot liquid may suddenly boil over and spatter.

- When heating, always place a spoon in the container. This will prevent delayed boiling.

Risk of injury!

- Scratched glass in the appliance door may develop into a crack. Do not use a glass scraper, sharp or abrasive cleaning aids or detergents.
- Unsuitable ovenware may crack. Porcelain or ceramic ovenware can have small perforations in the handles or lids. These perforations conceal a cavity below. Any moisture that penetrates this cavity could cause the ovenware to crack.
- Only use microwave-safe ovenware

CAUSES OF DAMAGE

Caution!

- Creation of sparks: Metal e.g. a spoon in a glass must be kept at least 2 cm from the oven walls and the inside of the door. Sparks could irreparably damage the glass on the inside of the door.
- Water in the hot cooking compartment: Never pour water into the hot cooking compartment. This will cause steam. The temperature change can cause damage.
- Moist food: Do not store moist food in the closed cooking compartment for long periods.
- Do not use the appliance to store food. This can lead to corrosion.
- **Heavily soiled seal:** If the seal is very dirty, the appliance door will no longer close properly during operation. Always keep the seal clean.
- **Operating the microwave without food:** Operating the appliance without food in the cooking compartment may lead to overloading. Never switch on the appliance unless there is food in the cooking compartment. An exception to this rule is a short crockery test (see the section "Microwave, suitable crockery").
- **Using the appliance door for standing on or placing objects on:** Do not stand or place anything on the open appliance door. Do not place ovenware or accessories on the appliance door.
- **Transporting the appliance:** Do not carry or hold the appliance by the door handle. The door handle cannot support the weight of the appliance and could break.
- **Microwave popcorn:** Never set the microwave power too high. Use a power setting no higher than 600 watts. Always place the popcorn bag on a glass plate. The disc may jump if overloaded.
- The oven should be cleaned regularly and any food deposits removed since they may explode, even after microwave heating has ended.
- Failure to maintain the oven in a clean condition could lead to deterioration of the surface that could adversely affect the life of the appliance and possibly result in a hazardous situation.

READ CAREFULLY AND KEEP FOR FUTURE REFERENCE

TO REDUCE THE RISK OF INJURY TO PERSONS ENSURE THE UNIT IS CORRECTLY EARTHED.

DANGER: Electric Shock Hazard - Touching some of the internal components can cause serious personal injury or death. Do not disassemble this appliance.

WARNING: Electric Shock Hazard - Incorrectly earthed units can result in electric shock.

When it comes to connecting your appliance, please follow the instructions below carefully.

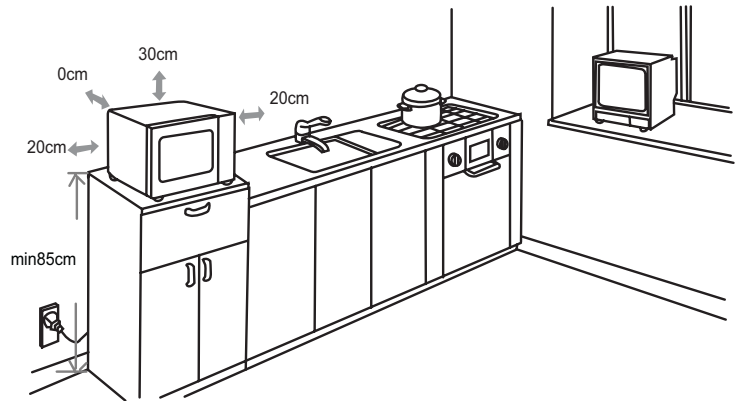
- This appliance is designed to be plugged into to the power supply.
- The plug contains an earth pin, and the microwave must be connected to a properly earthed socket.
- If there is not any appropriate earthed electrical outlet that conforms to regulations then one must be installed by a qualified electrician.
- The earthed electrical outlet must be near to the microwave.
- In case of any damage to the supply cable, you must call and arrange a certified and qualified electrician to replace the cable for you.
- You may damage the microwave if it is wired incorrectly. Any damage due to incorrect wiring will not be covered under the warranty.
- This appliance is only designed to connect to a standard 220-240V connection.
- The electrical cable must not touch hot parts of the appliance or the back of the appliance, otherwise the cable may get damaged and cause the appliance to short-circuit.
- The retailer and manufacturer have no responsibility against any kind of damage or loss that is caused from not following safety norms.

SETTING UP YOUR OVEN

- Ventilation slots and intakes must not be covered.
- Remove all packing material and accessories.
- Examine the oven for any damage such as dents or damage to the door. Do not attempt to use if the oven is damaged.

Select a level surface that provides enough open space for the intake and outlet vents.

The microwave can be placed against the wall behind and a 20cm gap should be left to the right of the microwave and a 30cm clearance above.



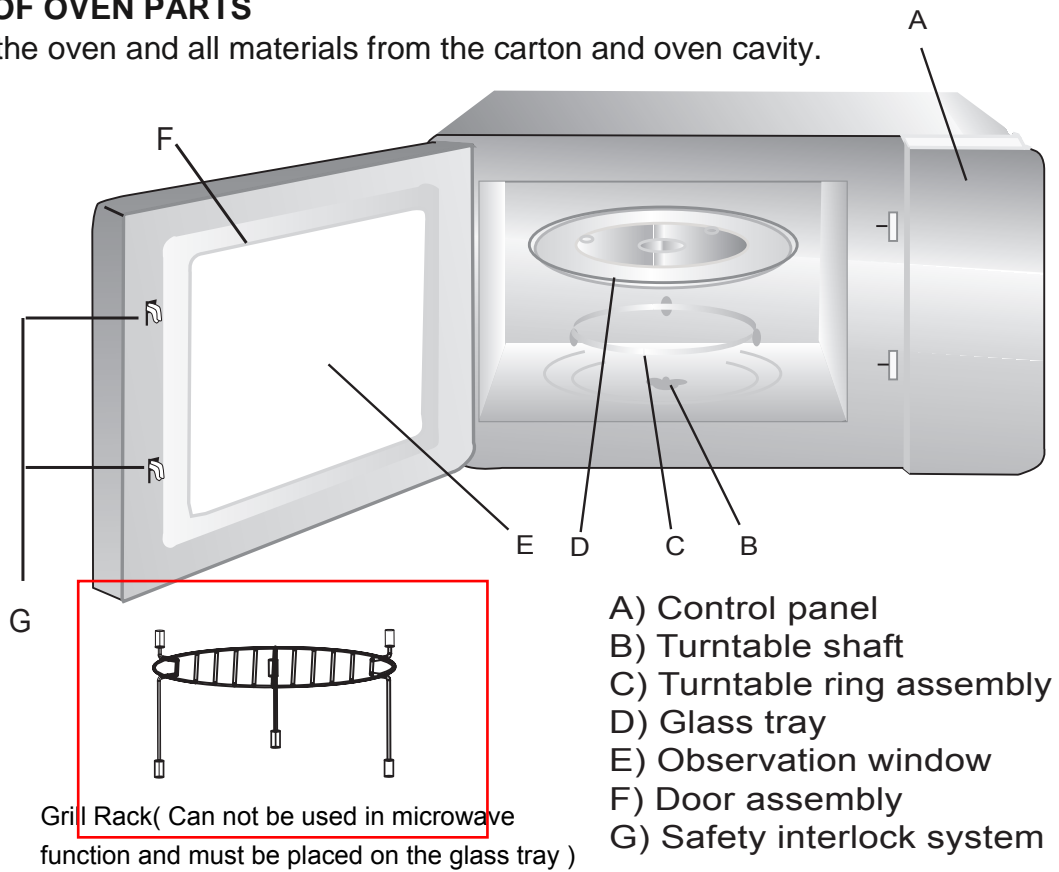
- Never remove the feet of the appliance, nor block the air intake and exhaust opening. The left side must be unobstructed.
- Blocking the intake and/or outlet openings can damage the oven.
- Place the oven far away as possible from radios and TVs. Operation of the microwave oven may cause interference to your radio or TV reception.
- Plug your oven into a standard household outlet. Be sure the voltage and the frequency is the same as the voltage and the frequency on the rating label.
- Warning: The plug socket and appliances which are liable to be affected by heat and moisture should be kept away from any vents on the oven.

YOUR NEW APPLIANCE

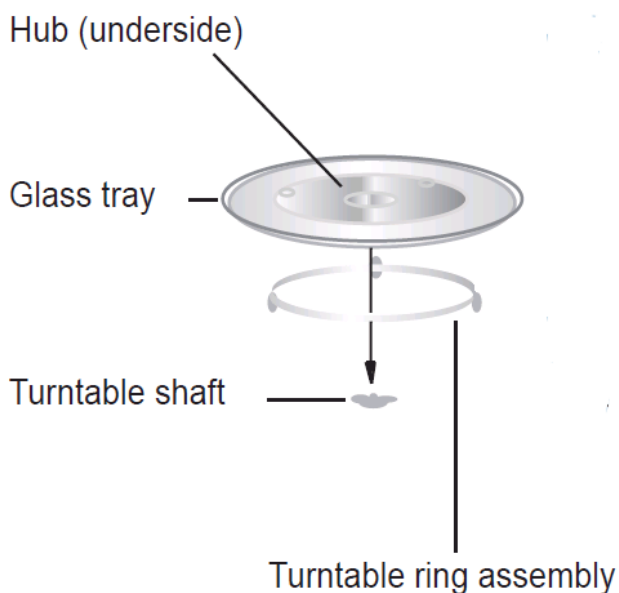
Use this section to familiarise yourself with your new appliance. The control panel and the individual operating controls are explained. You will find information on the cooking compartment and the supplied accessories

NAMES OF OVEN PARTS

Remove the oven and all materials from the carton and oven cavity.



TURNTABLE INSTALLATION

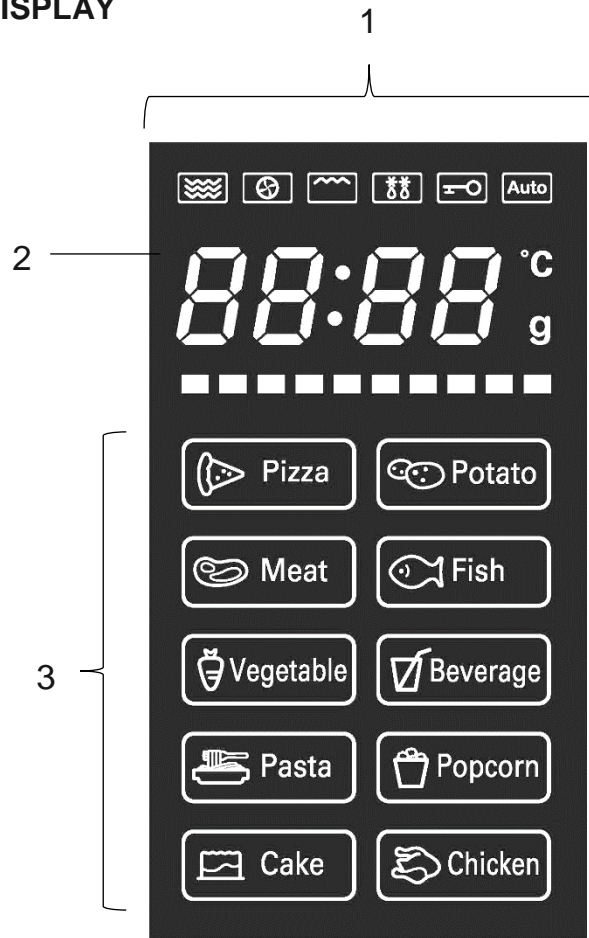


1. Never place the glass tray upside down. Movement of the glass tray should never be restricted.
2. Both the glass tray and turntable ring assembly must always be used during cooking.
3. All food and containers must always be placed on the glass tray for cooking.
4. If the glass tray or turntable ring assembly cracks or breaks, contact your nearest authorized service centre.

CONTROL PANEL



DISPLAY



1	Function Indicators
2	Time/ Weight Display
3	Auto Menu Display

	Microwave Mode
	Convection Mode
	Grill Mode
	Defrost Mode
	Child Lock
	Auto Mode

OPERATION OF THE MICROWAVE

When first powered "0:00", will be displayed on the screen of the microwave and it will bleep once.

SETTING THE CLOCK

- 1) Press *CLOCK/KITCHEN TIMER*, "00:00" displays.
- 2) Press ∇ or \wedge to adjust the hour value, this should be between 0 and 23.
- 3) Press *CLOCK/KITCHEN TIMER* and the minute value will flash.
- 4) Press ∇ or \wedge to adjust the minute value, this should be between 0 and 59.
- 5) Press *CLOCK/KITCHEN TIMER* to finish setting the clock. ":" will flash to indicate the clock is running.

MICROWAVE COOKING

- 1) Press the *MICROWAVE* button once, and "P100" will be displayed.
- 2) Press *MICROWAVE* repeatedly or press the ∇ or \wedge buttons to select the power level between 100% and 10%. The power level will be displayed on the screen.

	P100	P80	P50	P30	P10
Power Level	100%	80%	50%	30%	10%

- 3) Press *START/+30SEC./CONFIRM* to confirm the power level
- 4) Press ∇ or \wedge to adjust the cooking time between 0:05 and 95:00.
- 5) Press *START/+30SEC./CONFIRM* to start cooking.

NOTE: the step quantities when the time is adjusted using ∇ and \wedge are as follow:

0 to 1 min	5 seconds
1 to 5 min	10 seconds
5 to 10 min	30 seconds
10 to 30 min	1 minute
30 to 95 min	5 minutes

USING THE GRILL

- 1) Press the *GRILL/COMBI* button once, and "G-1" will be displayed.
- 2) Press *START/+30SEC./CONFIRM* to confirm the mode.
- 3) Press ∇ or \wedge to adjust the cooking time between 0:05 and 95:00.
- 4) Press *START/+30SEC./CONFIRM* to start cooking.

Note: After half the grill time has elapsed, the oven will bleep twice to tell you to turn the food over. You can just leave continue working if it does not require turning. If the food does require turning, open the door, turn the food, close the door, and then press *START/+30SEC./CONFIRM* to continue cooking.

COMBINATION COOKING

- 1) Press the *GRILL/COMBI* button once, and "G-1" will be displayed.
- 2) Press *GRILL/COMBI* repeatedly or press ∇ or \wedge to select the combination mode required.

Display	Microwave	Grill	Convection
C-1	●		●
C-2	●	●	
C-3		●	●
C-4	●	●	●

- 3) Press *START/+30SEC./CONFIRM* to confirm the mode.
- 4) Press ∇ or \wedge to adjust the cooking time between 0:05 and 95:00.
- 5) Press *START/+30SEC./CONFIRM* to start cooking.

CONVECTION COOKING (WITH PREHEATING FUNCTION)

Convection cooking allows you to cook food as if it was in a traditional oven. The microwave function is not used. It is recommended that you should preheat the oven to the appropriate temperature before placing the food inside.

- 1) Press the *CONVECTION* button once, "150" will flash on the display.
- 2) Keep pressing *CONVECTION* or press ∇ or \wedge to select the oven temperature.
Note: The temperature can range from 150 to 240 degrees.
- 3) Press the *START/+30SEC./CONFIRM* button to confirm the temperature displayed.
- 4) Press the *START/+30SEC./CONFIRM* button to start preheating. When the oven reaches the temperature set, the buzzer will sound twice to indicate the food can be inserted. The temperature will flash on the display.
- 5) Put the food into the oven and close the door. Press ∇ or \wedge to adjust the cooking time. (The maximum setting time is 95 minutes.)
- 6) Press the *START/+30SEC./CONFIRM* button to start cooking.

Note:

- A. When using the preheat function, the cooking time cannot be input until the oven reaches the temperature set, and the door has been opened and closed.
- B. If the cooking time is not entered within 5 minutes of the oven reaching the set temperature, the oven will stop preheating. The oven will bleep five times and will return to standby mode.

CONVECTION COOKING (WITHOUT PRE-HEATING FUNCTION)

- 1) Press the *CONVECTION* button once, and "150" will flash on the display.
- 2) Keep pressing *CONVECTION* or press \vee or \wedge to select the oven temperature.
Note: The temperature can range from 150 to 240 degrees.
- 3) Press the *START/+30SEC./CONFIRM* button to confirm the temperature displayed.
- 4) Press \vee or \wedge to adjust the cooking time. (The maximum setting time is 95 minutes.)
- 5) Press the *START/+30SEC./CONFIRM* button to start cooking.

TIMER

- 1) Press *CLOCK/KITCHEN TIMER* twice, the display will show "00:00".
- 2) Press \vee or \wedge to enter the correct timer. (the maximum duration is 95 minutes)
- 3) Press *START/+30SEC./CONFIRM* to start the timer.
- 4) When the time is reached the buzzer will bleep 5 times.

Notes:

- A. This is a countdown timer, and the clock settings will not affect operation.
- B. Opening the door will not affect the timer function.
- C. While the timer is running, other functions cannot be used.

DEFROST BY WEIGHT

- 1) Press *W.T./TIME DEFROST* once to choose the defrost by weight function.
"d-1" will be displayed.
- 2) Press \vee or \wedge to input the weight. The weight should be between 100 and 2000g.
- 3) Press *START/+30SEC./CONFIRM* to start defrosting.
- 4) When half the time has passed, the oven will bleep twice as a reminder to turn the food over, if no action is taken, the unit will continue working.

DEFROST BY TIME

- 1) Press *W.T./TIME DEFROST* twice to choose the defrost by time function.
"d-2" will be displayed.
- 2) Press \vee or \wedge to input the cooking time. The MAX time is 95 minutes.
- 3) Press *START/+30SEC./CONFIRM* to start defrosting.





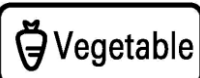



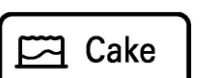

AUTO MENU

- 1) In standby, press \wedge to choose the auto menu required, following the table on the next page.
- 2) Press *START/ +30 SEC./CONFIRM* to confirm the auto menu required.
- 3) Press \vee or \wedge to choose the weight/portion size, and the relevant auto menu symbol will be illuminated on the display.
- 4) Press *START/ +30 SEC./CONFIRM* to start cooking.

Notes:

- A. **CAKE MENU:** This is convection cooking with preheating, and as such once the oven has preheated, it will bleep to indicate preheating has completed. Insert the cake and press *START/+30SEC./CONFIRM* to start the cooking stage.
- B. **ROAST CHICKEN MENU:** After 2/3 of the cooking time has elapsed, the oven will bleep twice as a prompt to turn the food over.

AUTO MENU TABLE

Menu	Weight	Power
A1  Pizza	200 g	C4
	300g	
	400 g	
A2  Potato	1 (230g)	P100
	2 (460g)	
	3 (690g)	
A3  Meat	150	P100
	300	
	450	
	600	
A4  Fish	150	P80
	250	
	350	
	450	
	650	
A5  Vegetable	150	P100
	350	
	500	
A6  Beverage	1 (around 240g)	P100
	2 (around 480g)	
	3 (around 720g)	
A7  Pasta	50 (add 450g of cold water)	P80
	100 (add 800g of cold water)	
	150 (add 1200g of cold water)	
A8  Popcorn	50	P100
	100	
A9  Cake	475	Preheat 180°C
A10  Chicken	500	C-4
	750	
	1000	
	1200	

ONE TOUCH COOKING

- With the microwave in standby, press the *START/+30SEC./CONFIRM* button to cook at 100% power level for 30 seconds. Each additional press of the button will increase the cooking time by 30 seconds. The maximum cooking time is 95 minutes.
- While cooking under microwave, grill, convection and combination modes, press the *START/+30SEC./CONFIRM* button to add another 30 seconds to the cooking time. Note: this function cannot be used with the weight defrost, auto menu and multi-stage cooking modes.
- While in Standby, press ∇ , before using ∇ and \wedge to select the desired cooking time. After selecting the cooking time, press *START/+30SEC./CONFIRM* to start cooking with a power of 100%.

MULTI-STAGE COOKING

A maximum of two stages can be set for multi stage cooking. If one of the stages is defrost, this will become the first stage, otherwise they will be run in the order entered on the microwave.


Note: Auto cooking and preheating cannot be used in conjunction with multi stage cooking.

Example: If you want to defrost for 5 minutes and then microwave cook with 80% power for 7 minutes, follow the steps below:

- 1) Press *W.T./TIME DEFROST* twice, and the oven will display "d-2".
- 2) Use the ∇ and \wedge buttons to select the defrost time as "5:00".
- 3) Press *MICROWAVE* once, the screen will display the power level "P100".
- 4) Press *MICROWAVE* once or use the ∇ or \wedge buttons to select 80% microwave power. (The screen will display "P 80")
- 5) Press *START/+30SEC./CONFIRM* to confirm the power level.
- 6) Adjust the cooking time using the ∇ and \wedge buttons until the oven displays "7:00".
- 7) Press *START/+30SEC./CONFIRM* to start cooking.

The buzzer will sound once *and defrosting will start*. When the first stage has completed the oven will bleep once to signal it is entering the second stage. When cooking has completed the oven will bleep 5 times.

CHILD LOCK

To Lock: With the microwave in standby, hold *STOP/CLEAR* for 3 seconds, there will be a long "beep" denoting activation of the child lock and  will be displayed.

To Unlock: While the microwave is locked, hold *STOP/CLEAR* for 3 seconds, there will be a long "beep" denoting that the lock is released.

ENQUIRY FUNCTION

While Cooking: Press *MICROWAVE*, *CONVECTION* or *GRILL/COMBI* to check the power level. Press *CLOCK/KITCHEN TIMER* to check the current time.

NOTES REGARDING OPERATION

- *START/+30 SEC./CONFIRM* must be pressed to continue cooking if the door is opened during cooking;
- While the cooking time is been entered, if *START/+30 SEC./CONFIRM* is not pressed within 5 minutes. The microwave will return to standby.
- The keypad will bleep for every button press on the control panel.
- The buzzer will sound five times when cooking has finished.

USE OF SUITABLE UTENSILS

See the table on "Materials you can use in microwave oven or to be avoided in microwave oven." There may be certain non-metallic utensils that are not safe to use for microwaving. If in doubt, you can test the utensil in question following the procedure below.

Utensil Test:

1. Fill a microwave-safe container with 1 cup of cold water (250ml) along with the utensil in question.
2. Cook on maximum power for 1 minute.
3. Carefully feel the utensil. If the empty utensil is warm, do not use it for microwave cooking.
4. Do not exceed 1 minute cooking time.

Materials you can use in microwave oven	
Utensils	Remarks
Browning dish	Follow manufacturer's instructions. The bottom of browning dishes must be at least 3/16 inch (5mm) above the turntable (Use a rack). Incorrect usage may cause the turntable to break.
Dinnerware	Microwave-safe only. Follow the manufacturer's instructions. Do not use cracked or chipped dishes.
Glass jars	Always remove lid. Use only to heat food until just warm. Most glass jars are not heat resistant and may break.
Glassware	Heat-resistant oven glassware only. Make sure there is no metallic trim. Do not use cracked or chipped glassware.
Oven cooking bags	Follow manufacturer's instructions. Do not close with a metal tie. Make slits to allow steam to escape.
Paper plates and cups	Use for short-term cooking/warming only. Do not leave oven unattended while cooking.
Paper towels	Use to cover food for reheating and absorbing fat. Use with supervision for a short-term cooking only.
Parchment paper	Use as a cover to prevent splattering or a wrap for steaming.
Plastic	Microwave-safe only. Follow the manufacturer's instructions. Should be labelled "Microwave Safe". Some plastic containers soften, as the food inside gets hot. "Boiling bags" and tightly closed plastic bags should be slit, pierced or vented as directed on the packaging.
Plastic wrap	Microwave-safe only. Use to cover food during cooking to retain moisture. Do not allow plastic wrap to touch food.
Thermometers	Microwave-safe only
Wax paper	Use as a cover to prevent splattering and retain moisture.
Materials to be avoided in microwave oven	
Utensils	Remarks
Aluminium tray	May cause arcing. Transfer food into microwave-safe dish.
Food carton with metal handle	May cause arcing. Transfer food into microwave-safe dish.
Metal or metal trimmed utensils	Metal shields the food from microwave energy. Metal trim may cause arcing.
Metal twist ties	May cause arcing and could cause a fire in the oven.
Paper bags	May cause a fire in the oven.
Plastic foam	Plastic foam may melt or contaminate the liquid inside when exposed to high temperature.
Wood	Wood will dry out when used in the microwave oven and may split or crack.

CARE AND CLEANING

With careful care and cleaning your microwave oven will retain its looks and remain in good order. We will explain here how you should care for and clean your appliance correctly.

Risk of electric shock! Penetrating moisture may cause an electric shock. Do not use any high-pressure cleaners or steam cleaners.

Risk of burns! Never clean the appliance immediately after switching off. Let the appliance cool down.

Risk of serious damage to health! Microwave energy may escape if the cooking compartment door or the door seal is damaged. Never use the appliance if the cooking compartment door or the door seal is damaged. Contact the after-sales service.

Notes

Slight differences in colour on the front of the appliance are caused by the use of different materials, such as glass, plastic and metal.

Shadows on the door panel which look like streaks, are caused by reflections made by the oven light. Unpleasant odours, e.g. after fish has been prepared, can be removed very easily. Add a few drops of lemon juice to a cup of water. Place a spoon into the container as well, to prevent delayed boiling (ensure the spoon is kept at least a few centimetres from the edge of the oven to prevent arcing). Heat the water for 1 to 2 minutes at maximum microwave power.

CLEANING AGENTS

To ensure that the different surfaces are not damaged by using the wrong cleaning agent, observe the information in the table. Do not use

- Sharp or abrasive cleaning agents.
- Metal or glass scrapers to clean the glass in the appliance door.
- Metal or glass scrapers to clean the door seal.
- Hard scouring pads and sponges.
- Cleaning agents with high concentrations of alcohol.

Wash new sponge cloths thoroughly before use.

Allow all surfaces to dry thoroughly before using the appliance following cleaning

Area	Cleaning agents
Appliance front	Hot soapy water: Clean with a dish cloth and dry with a soft cloth. Do not use glass cleaners, metal scrapers or glass scrapers for cleaning.
Appliance front with stainless steel	Hot soapy water: Clean with a dish cloth and dry with a soft cloth. Remove flecks of limescale, grease, starch and albumin (e.g. egg white) immediately. Corrosion can form under such residues. Special stainless steel cleaning agents can be obtained from specialist shops. Do not use glass cleaners or metal or glass scrapers for cleaning.
Cooking compartment	Hot soapy water or a vinegar solution: Clean with a dish cloth and dry with a soft cloth. If the oven is very dirty: Do not use oven spray or other aggressive oven cleaners or abrasive materials. Scouring pads, rough sponges and pan cleaners are also unsuitable. These items scratch the surface. Ensure the interior is thoroughly dried before use.
Door panels	Glass cleaner: Clean with a dish cloth. Do not use a glass scraper.
Seal	Hot soapy water: Clean with a dish cloth, do not scour. Do not use a metal or glass scraper for cleaning.

TROUBLESHOOTING

Problem	Possible cause	Remedy/information
The appliance does not work.	Faulty circuit breaker.	Look in the fuse box and check that the circuit breaker for the appliance is in working order.
	Power Switched off	Check that the wall switch is in the on position.
	Power cut	Check whether the kitchen light works.
The microwave does not switch on.	Door not fully closed.	Check whether food residue or debris is trapped in the door.
It takes longer than before for the food to heat up in the microwave	The selected microwave power level is too low.	Select a higher power level.
	A larger amount than usual has been placed in the appliance.	Double the amount = almost double the cooking time.
	The food was colder than usual.	Stir or turn the food during cooking.

SPECIFICATION

Model:	EIQMW25LBL
Rated Voltage:	240V~ 50Hz
Rated Output Power (Microwave)	900 W
Rated Input Power (Microwave)	1500W
Rated Input Power (Grill)	1100W
Rated Input Power (Convection)	2500W
Oven Capacity:	25L
Turntable Diameter	315mm
External Dimensions:	513x510x307mm
Net Weight:	Approx. 18 kg



According to Waste of Electrical and Electronic Equipment (WEEE) directive, WEEE should be separately collected and treated. If at any time in future you need to dispose of this product please do NOT dispose of this product with household waste. Please send this product to WEEE collecting points where available.

ElectrIQ UK Support

www.ElectrIQ.co.uk/support

0871 620 1057

Office hours: 9AM - 5PM Monday to Friday

www.ElectrIQ.co.uk

Unit J6, Lowfields Business Park

Lowfields Way, Elland

West Yorkshire, HX5 9DA