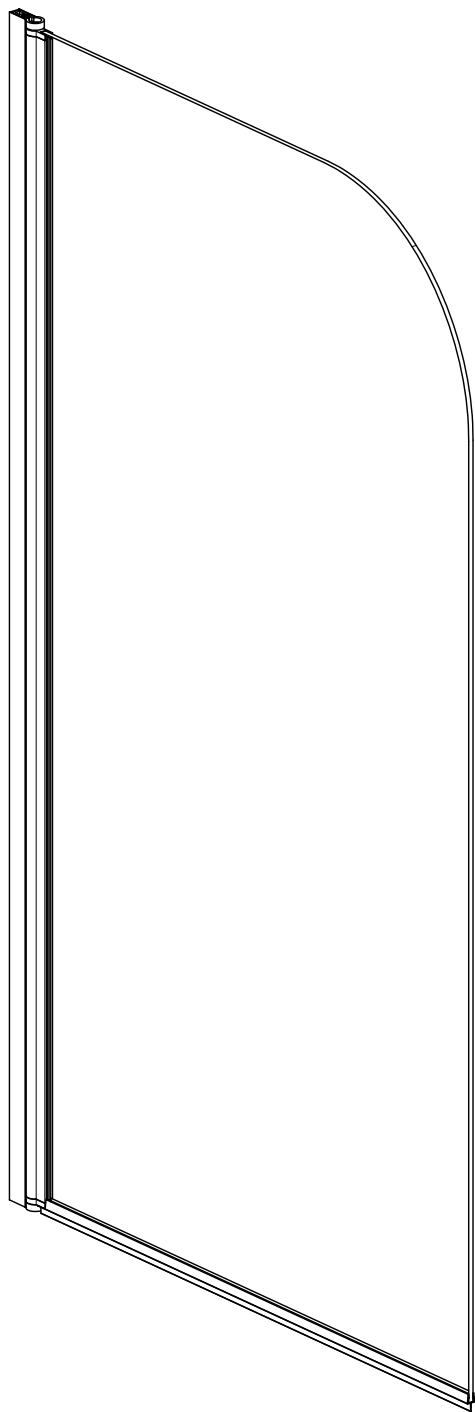
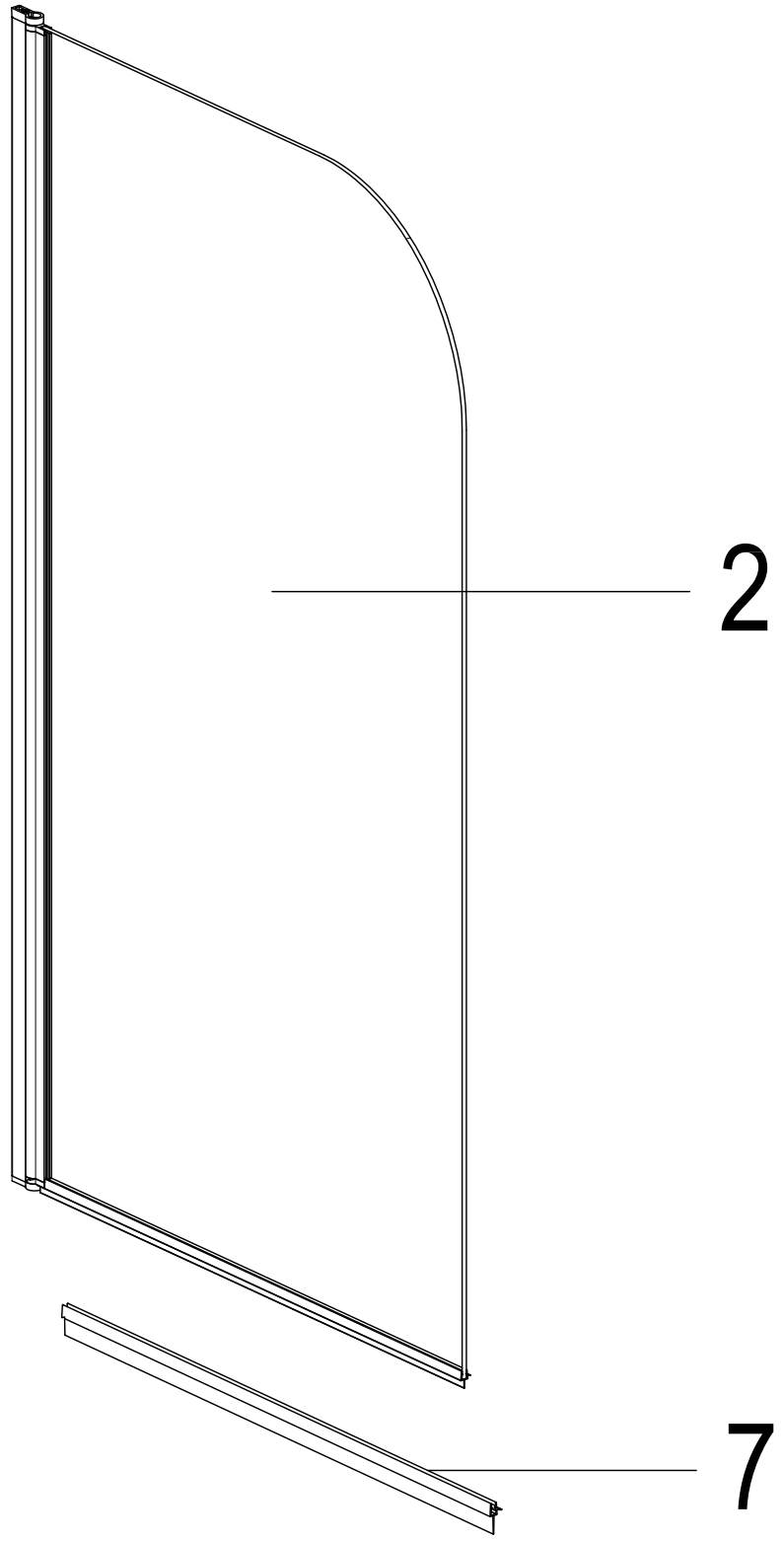
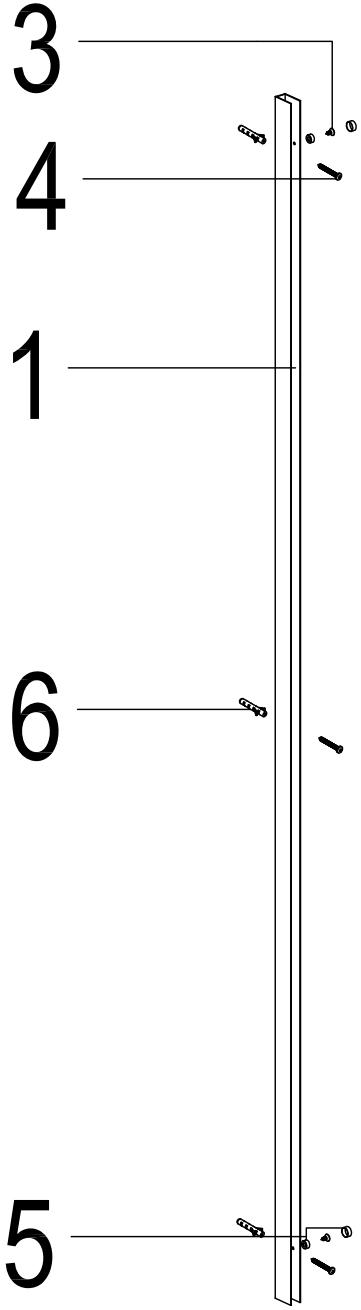


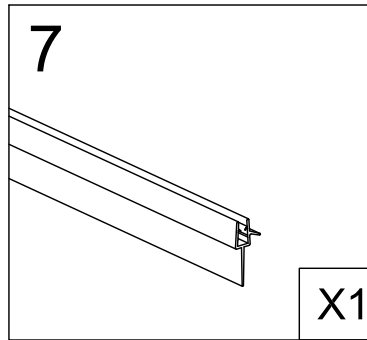
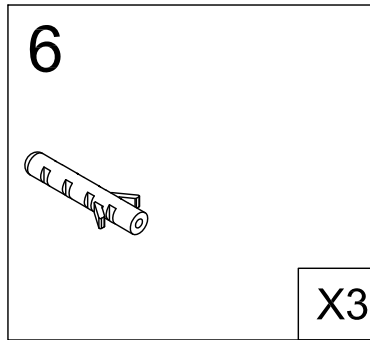
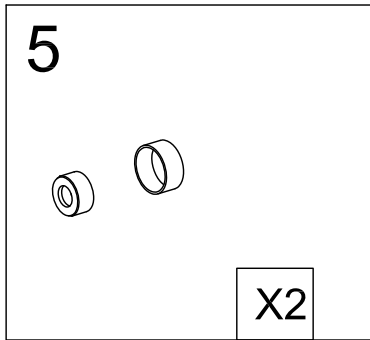
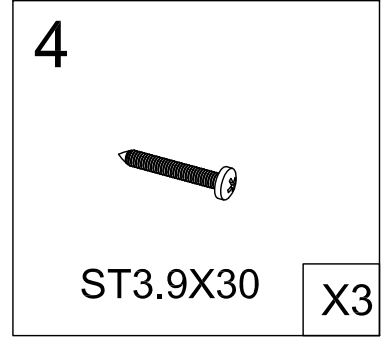
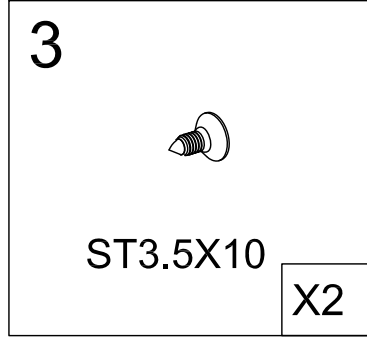
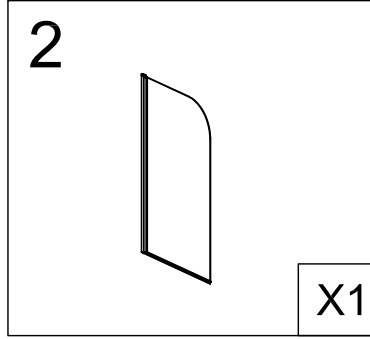
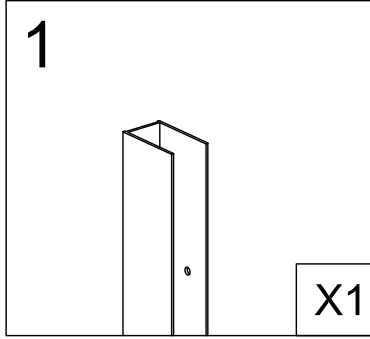
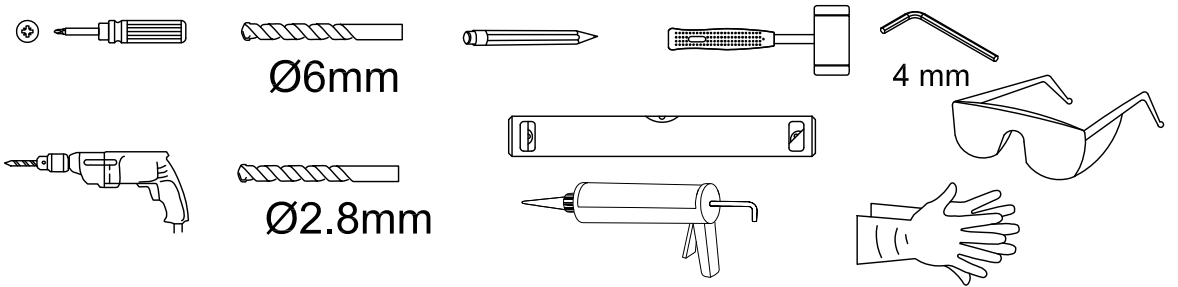
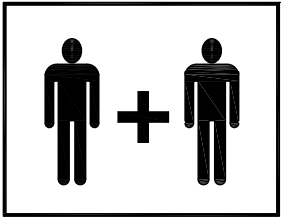
BSC806

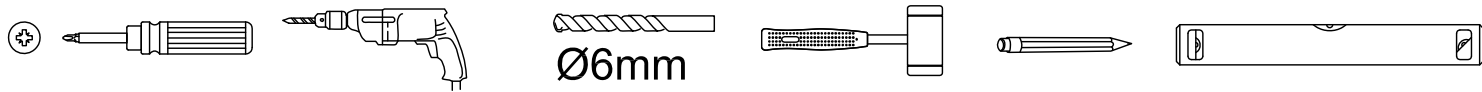
BS806



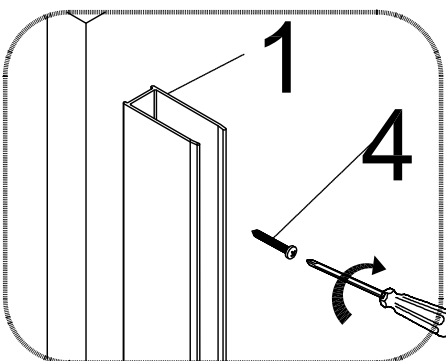
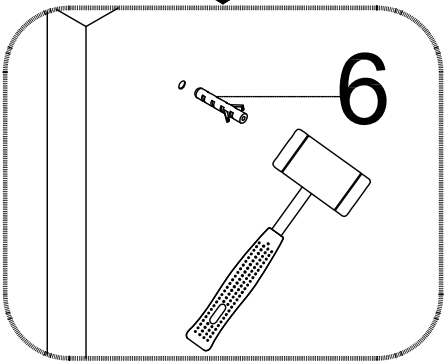
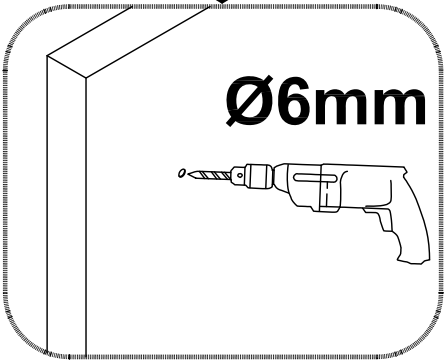
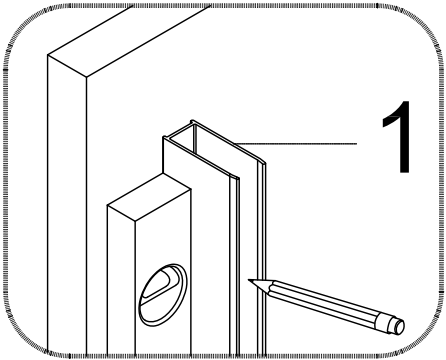
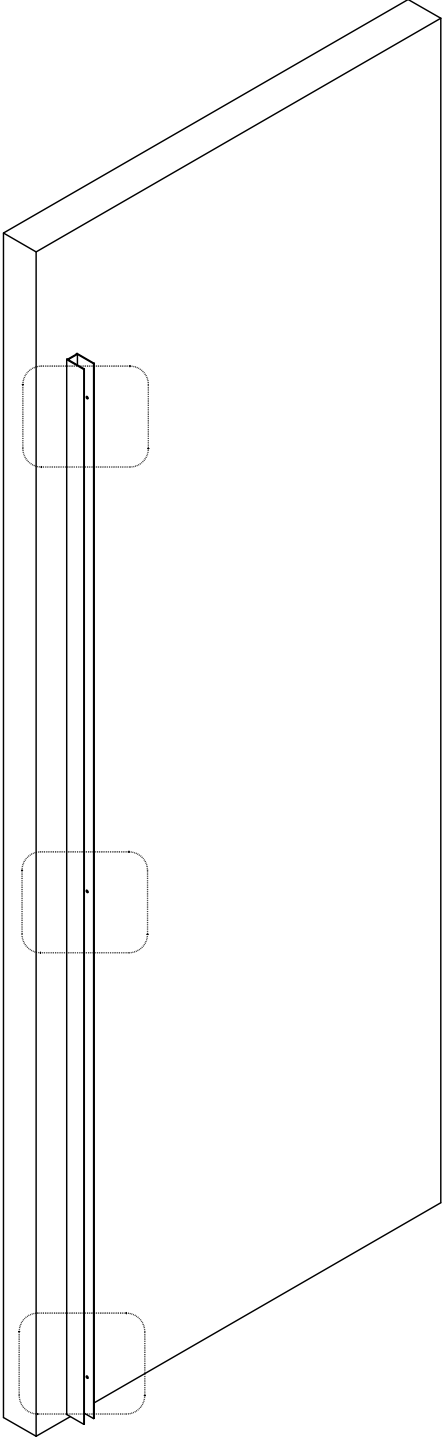


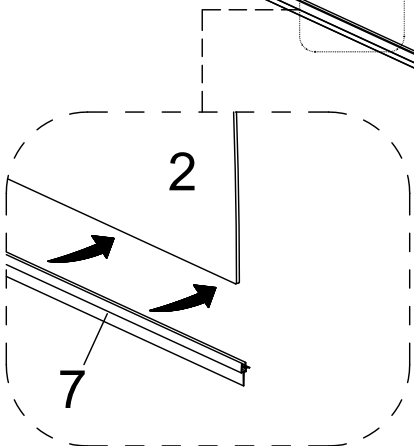
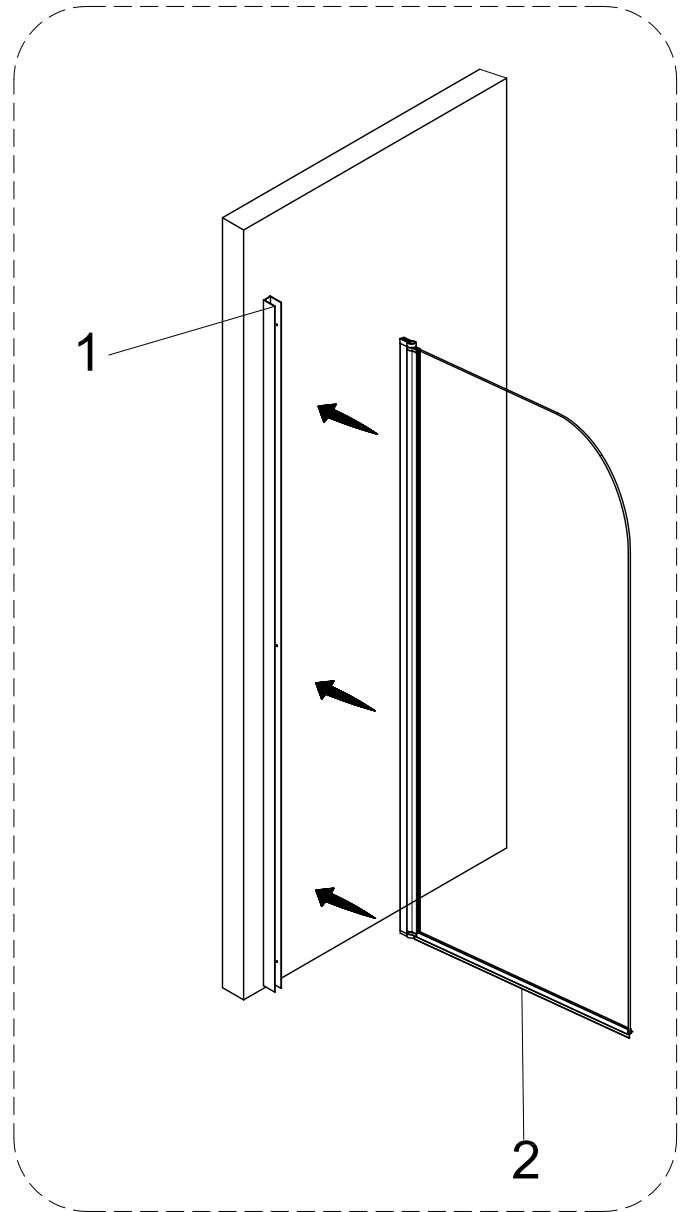
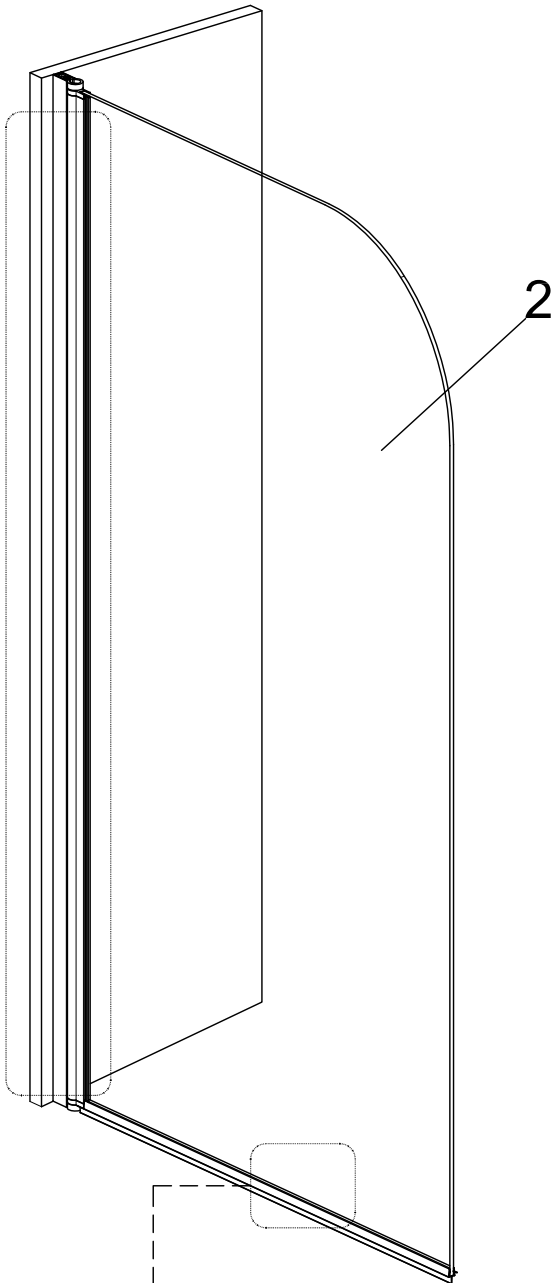
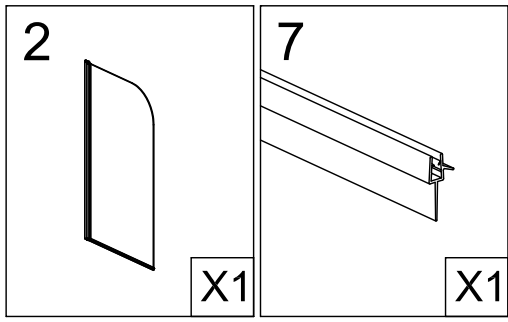
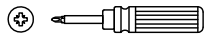
2

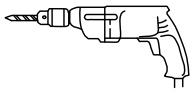




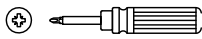
- | | | |
|----|----|----------------|
| 1 | 6 | 4 |
| | | |
| X1 | X3 | ST3.9X30
X3 |







Ø2.8mm



3

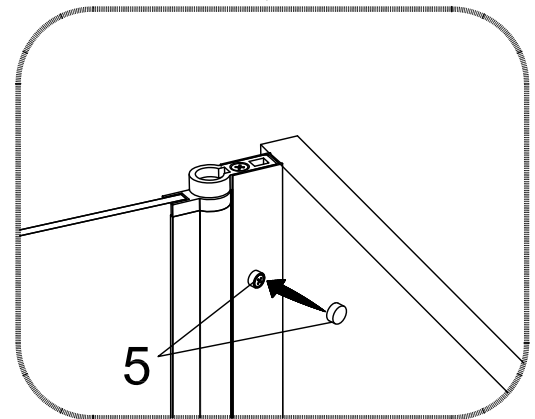
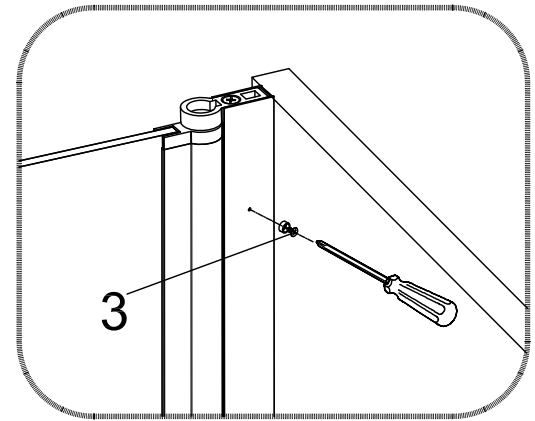
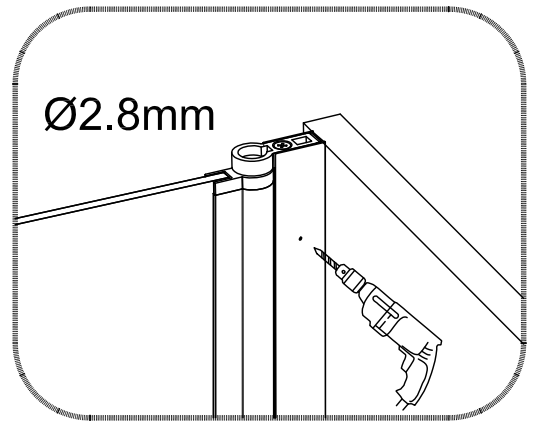
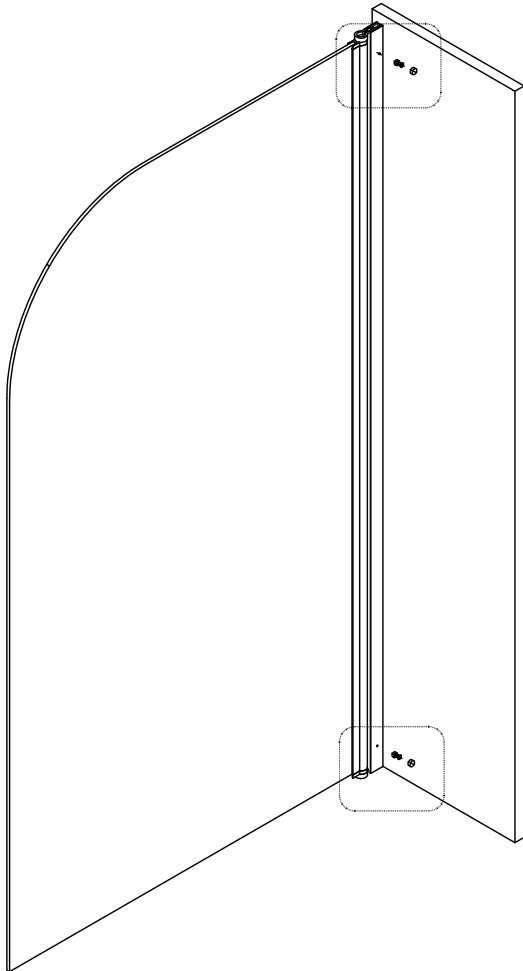
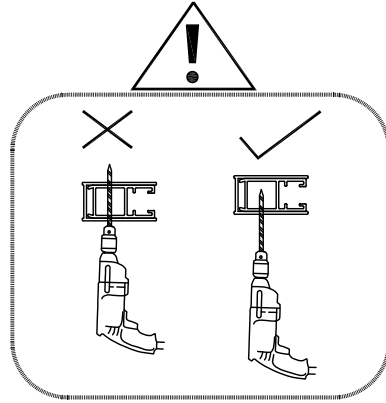


X2

5



X2



6

