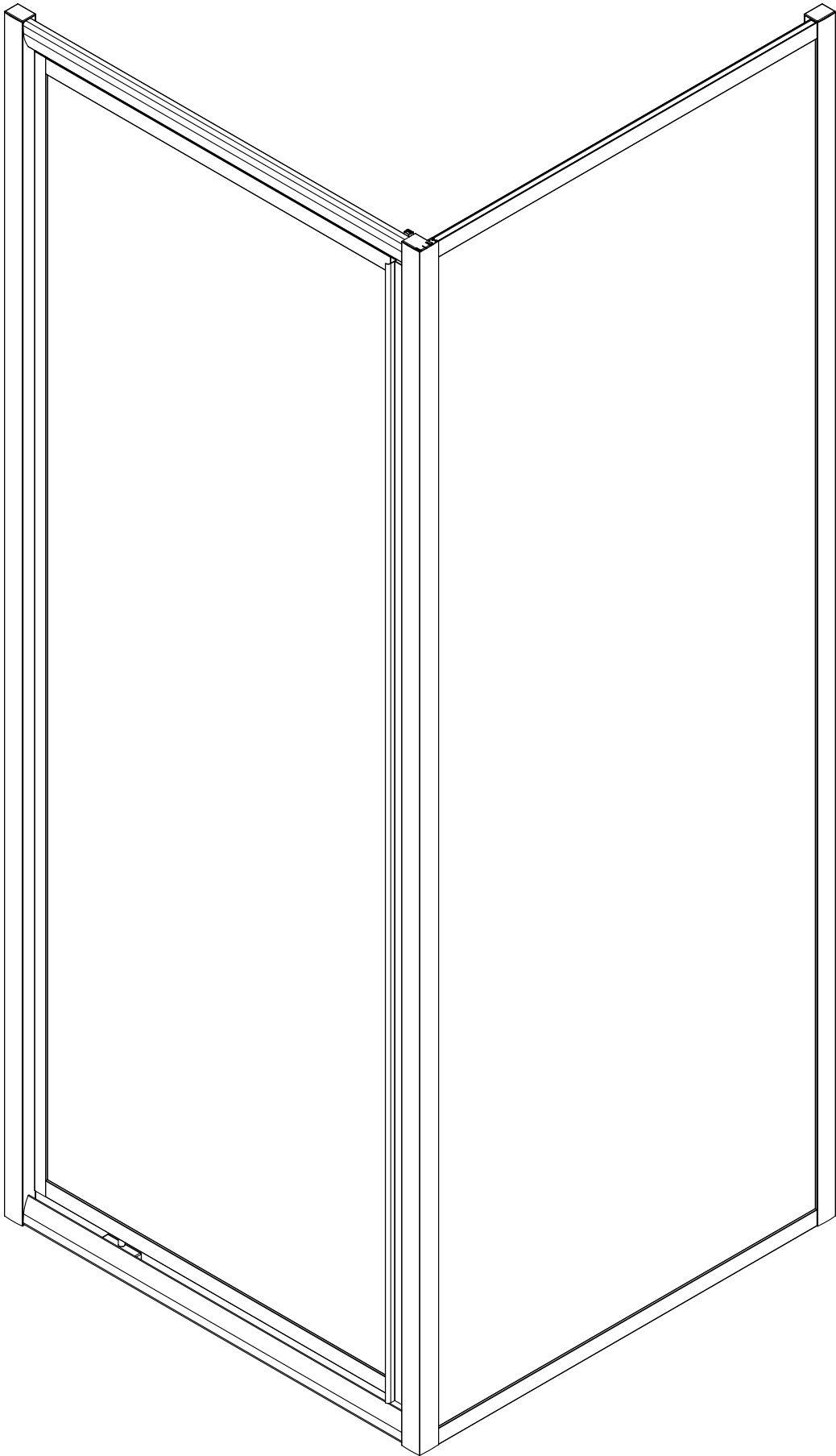
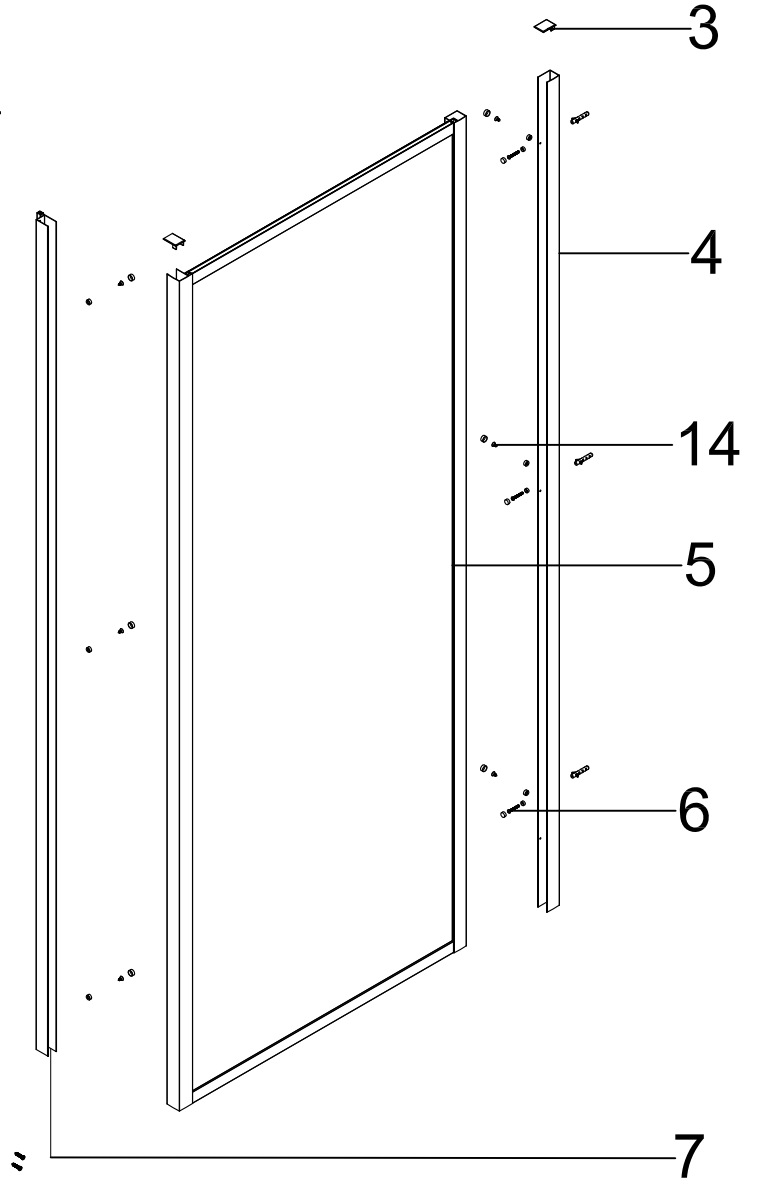
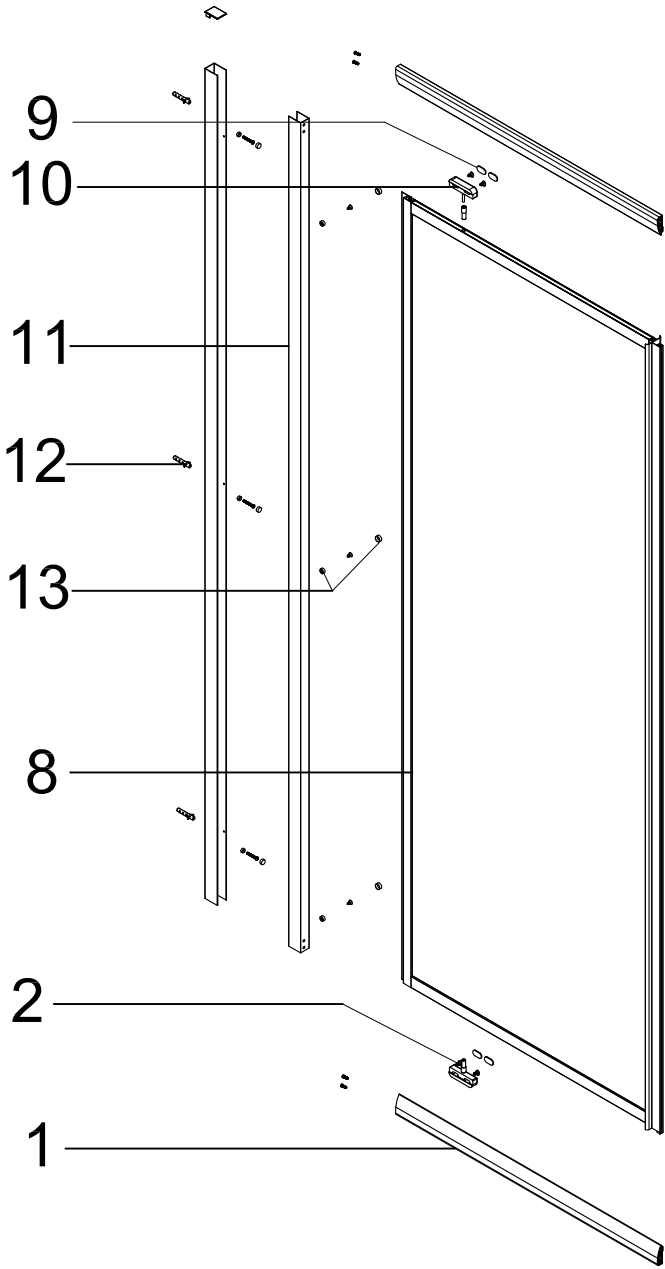
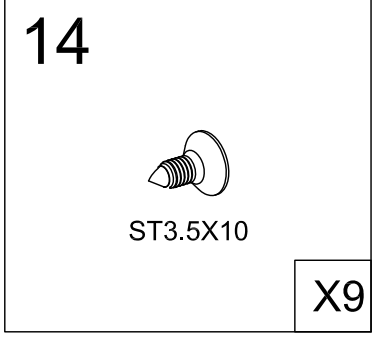
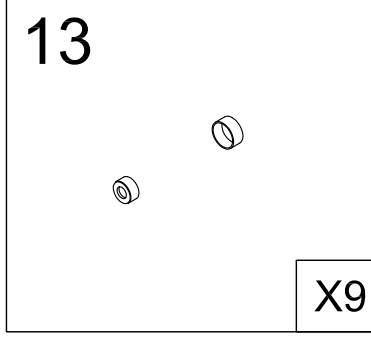
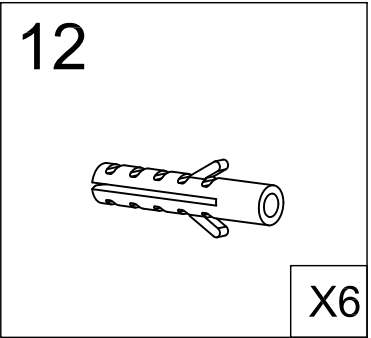
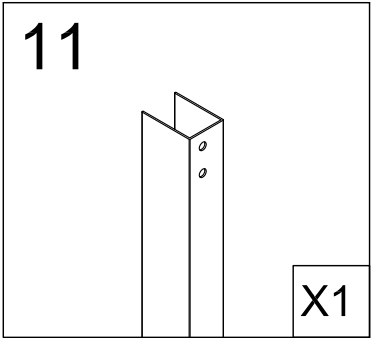
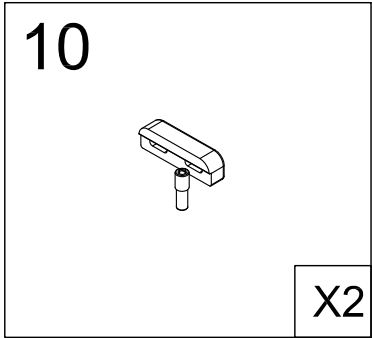
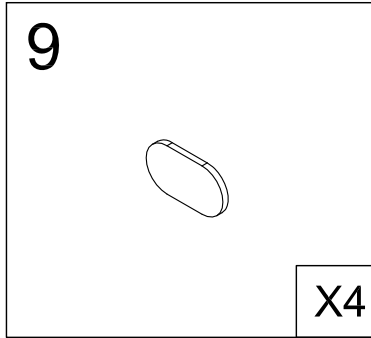
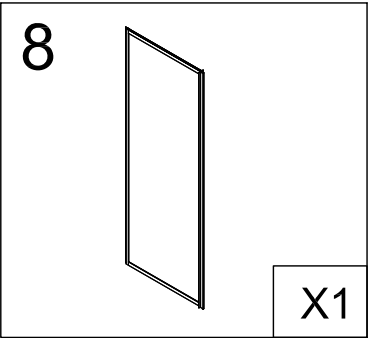
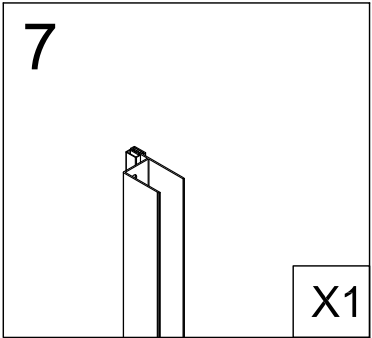
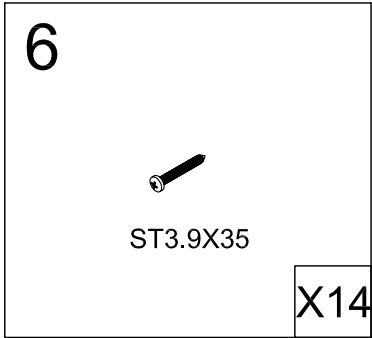
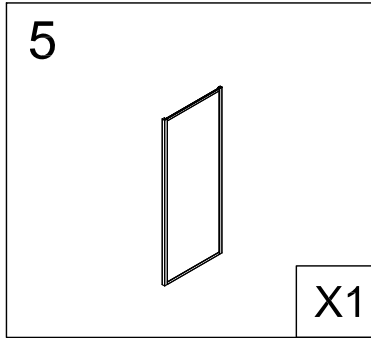
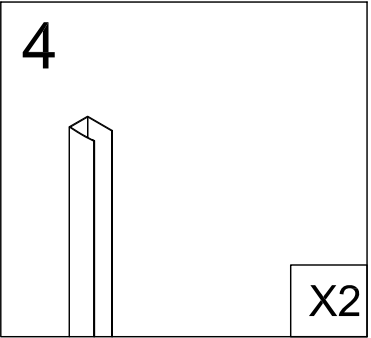
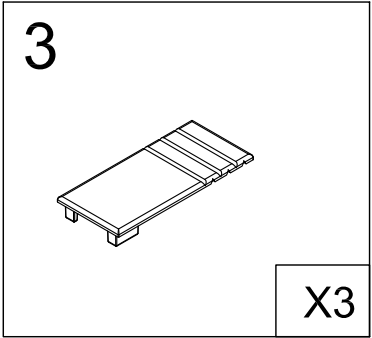
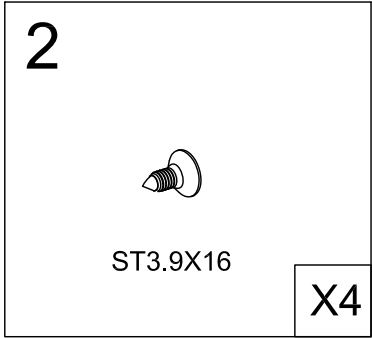
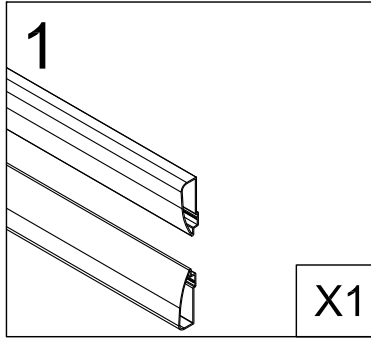
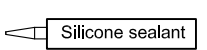
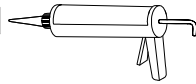
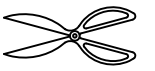
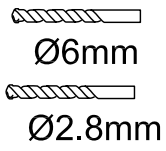
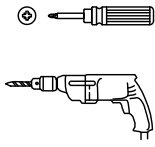
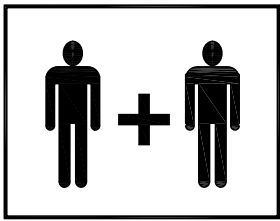
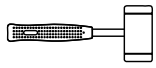
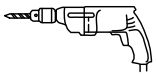


SEPD764









12



X6

4



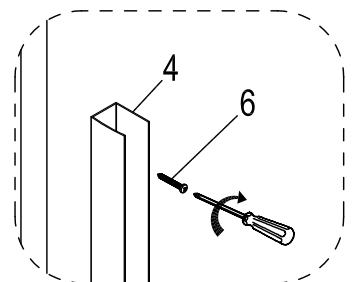
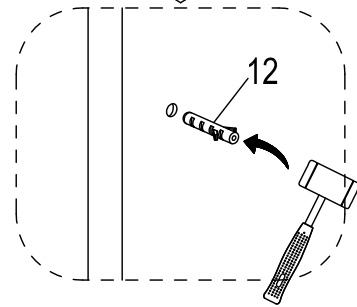
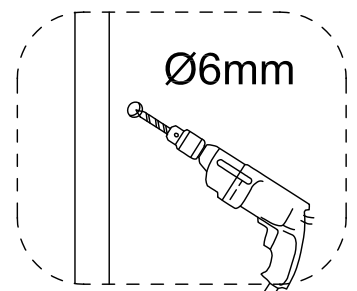
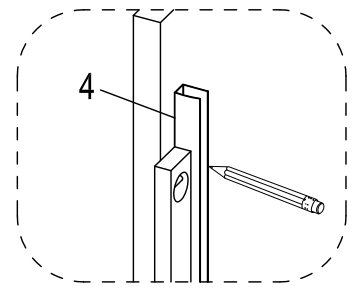
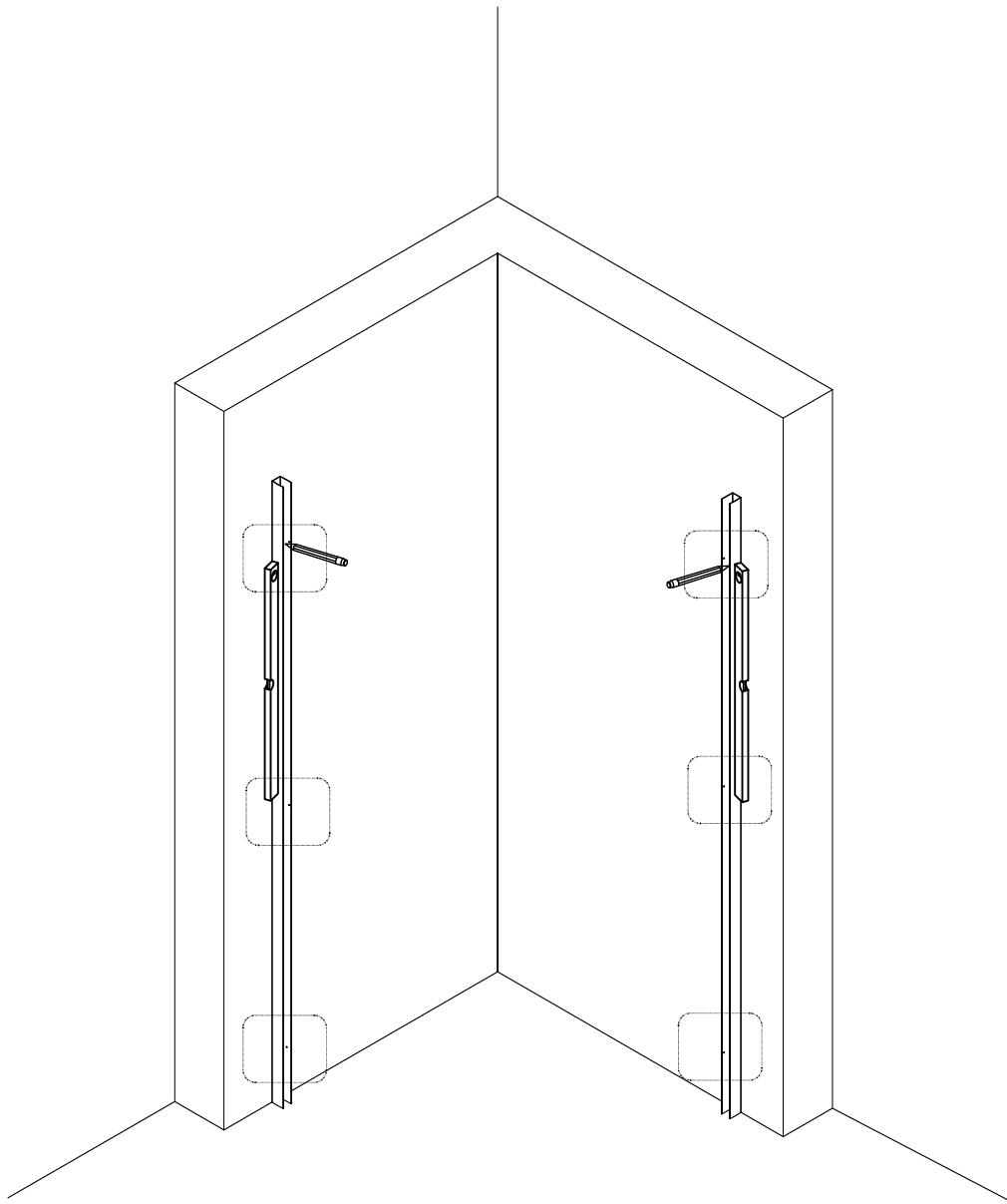
X2

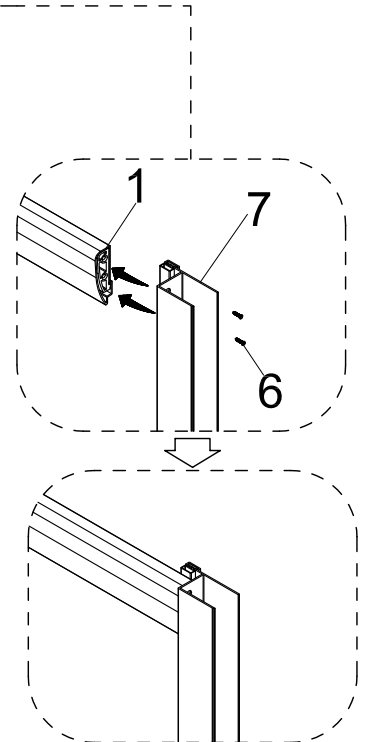
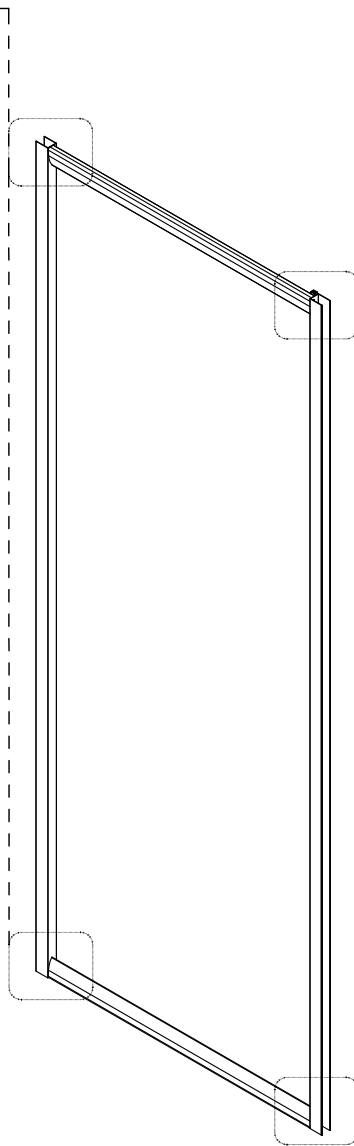
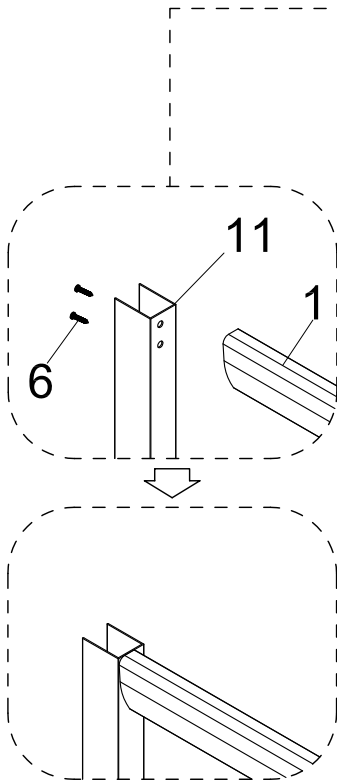
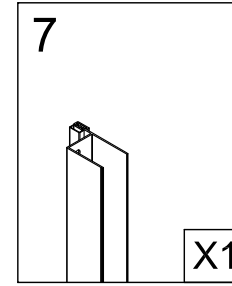
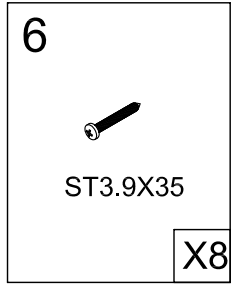
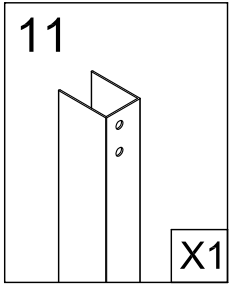
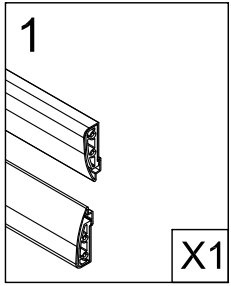
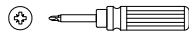
6

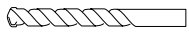
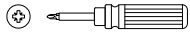
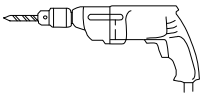


ST3.9X35

X6

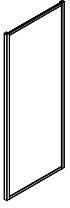






Ø2.8 Masonry drill bit

5



X1

14



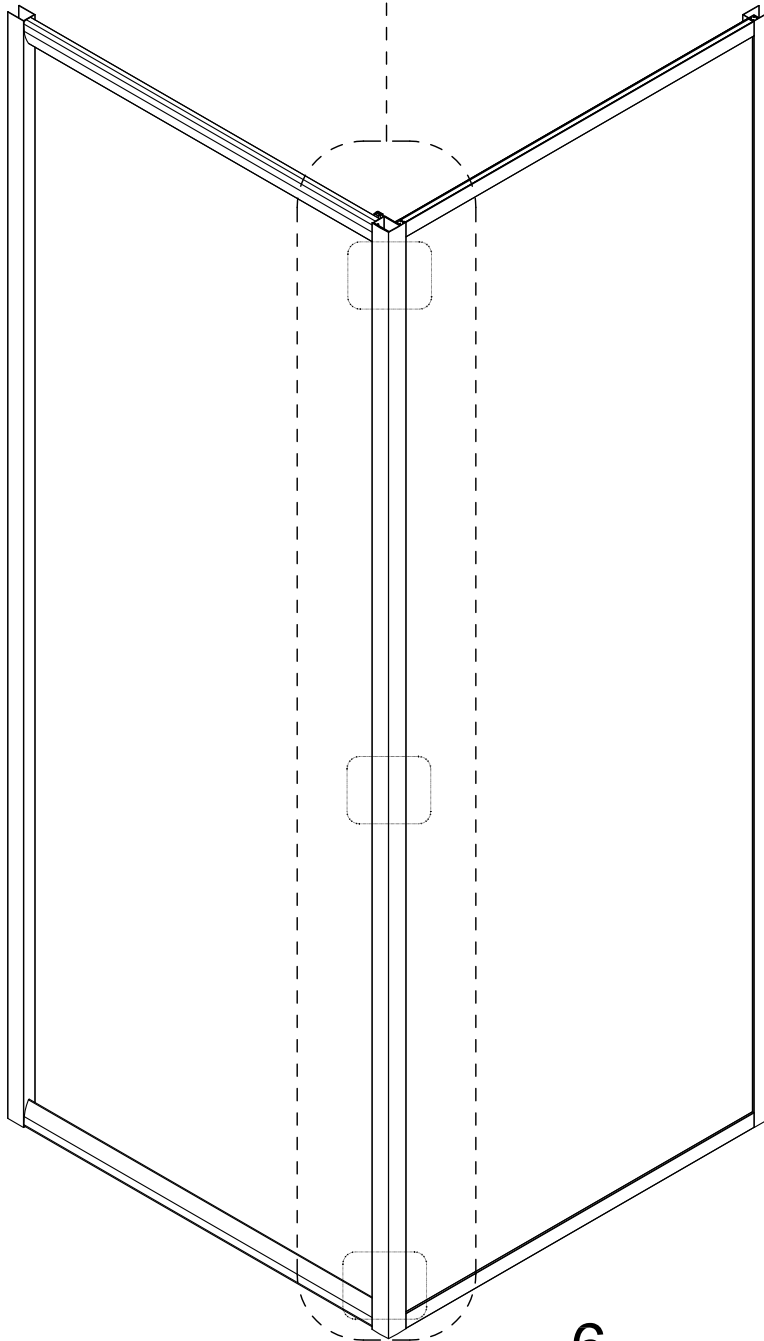
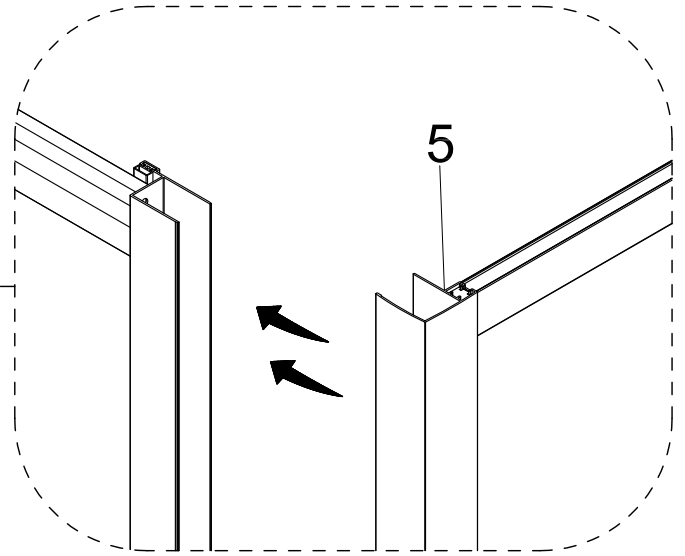
ST3.5X10

X3

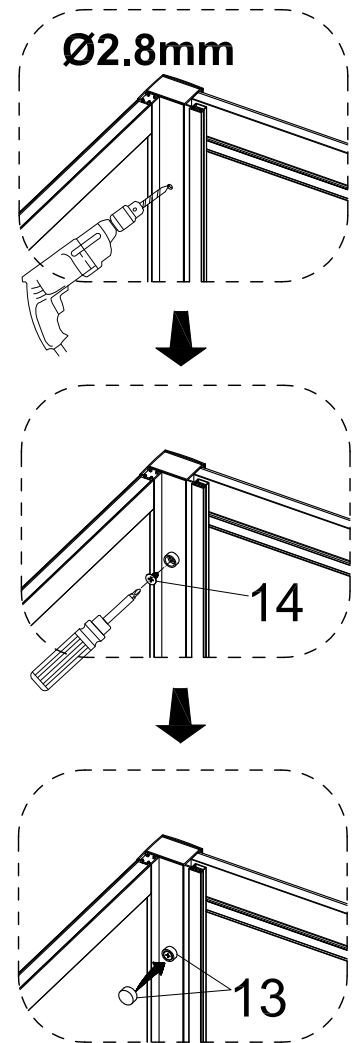
13

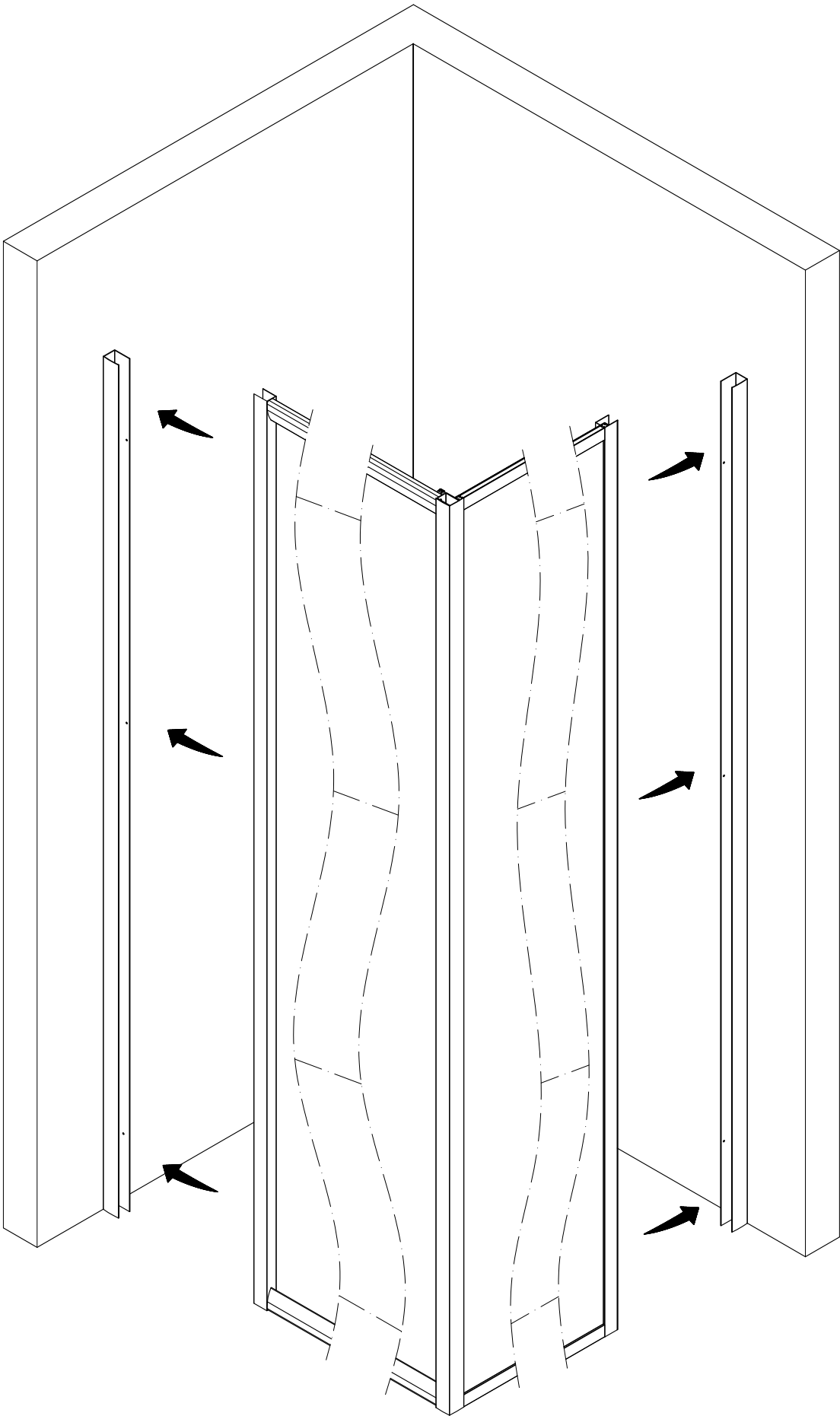


X3

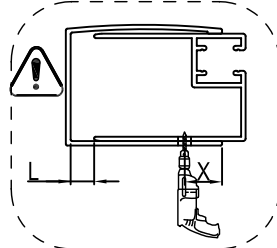
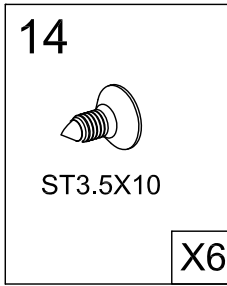
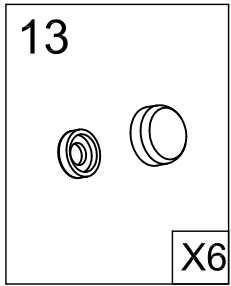
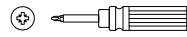
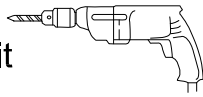


6





Ø2.8mm HSS drill bit



$0 < L \leq 20$ X=7

