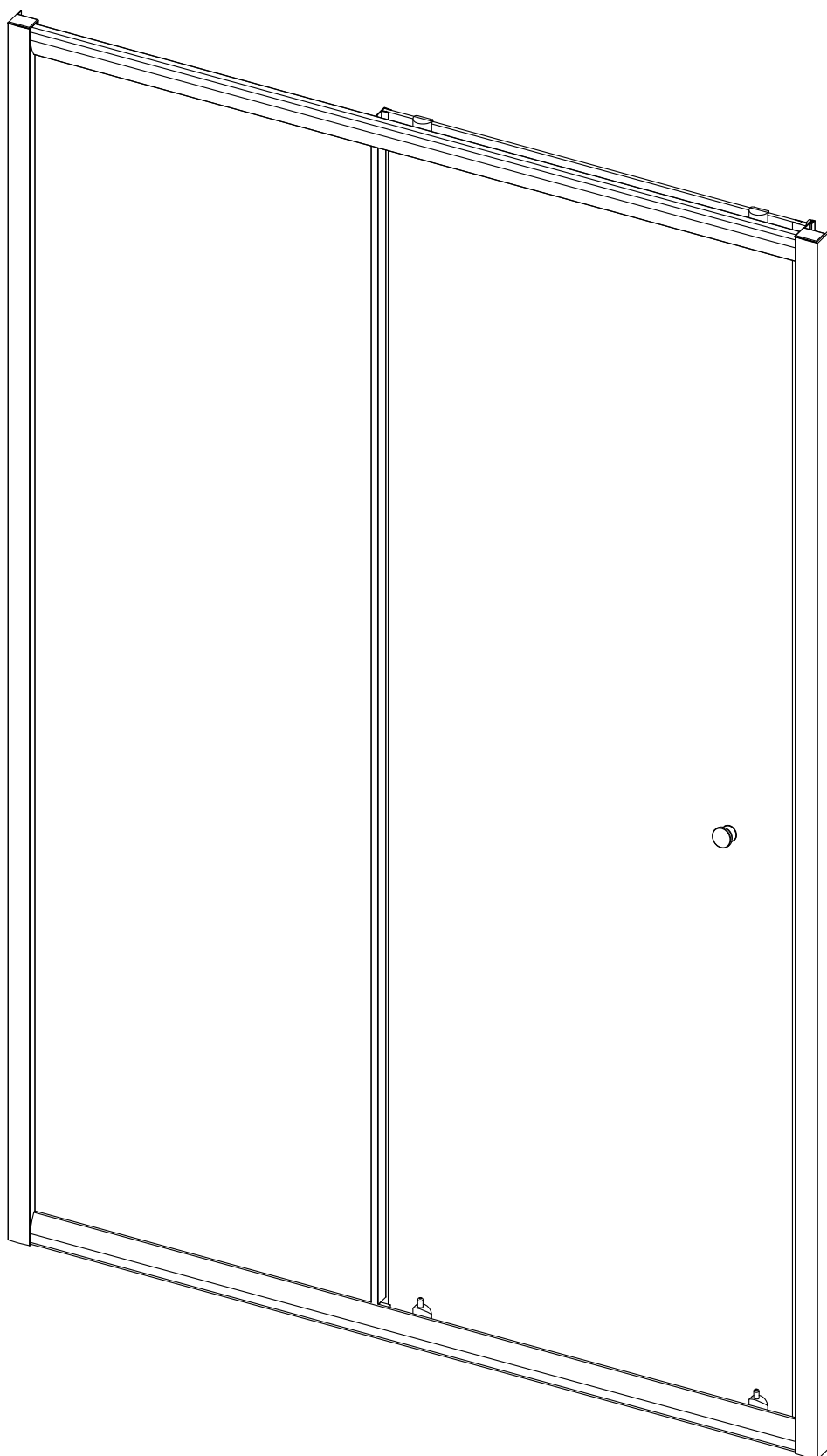
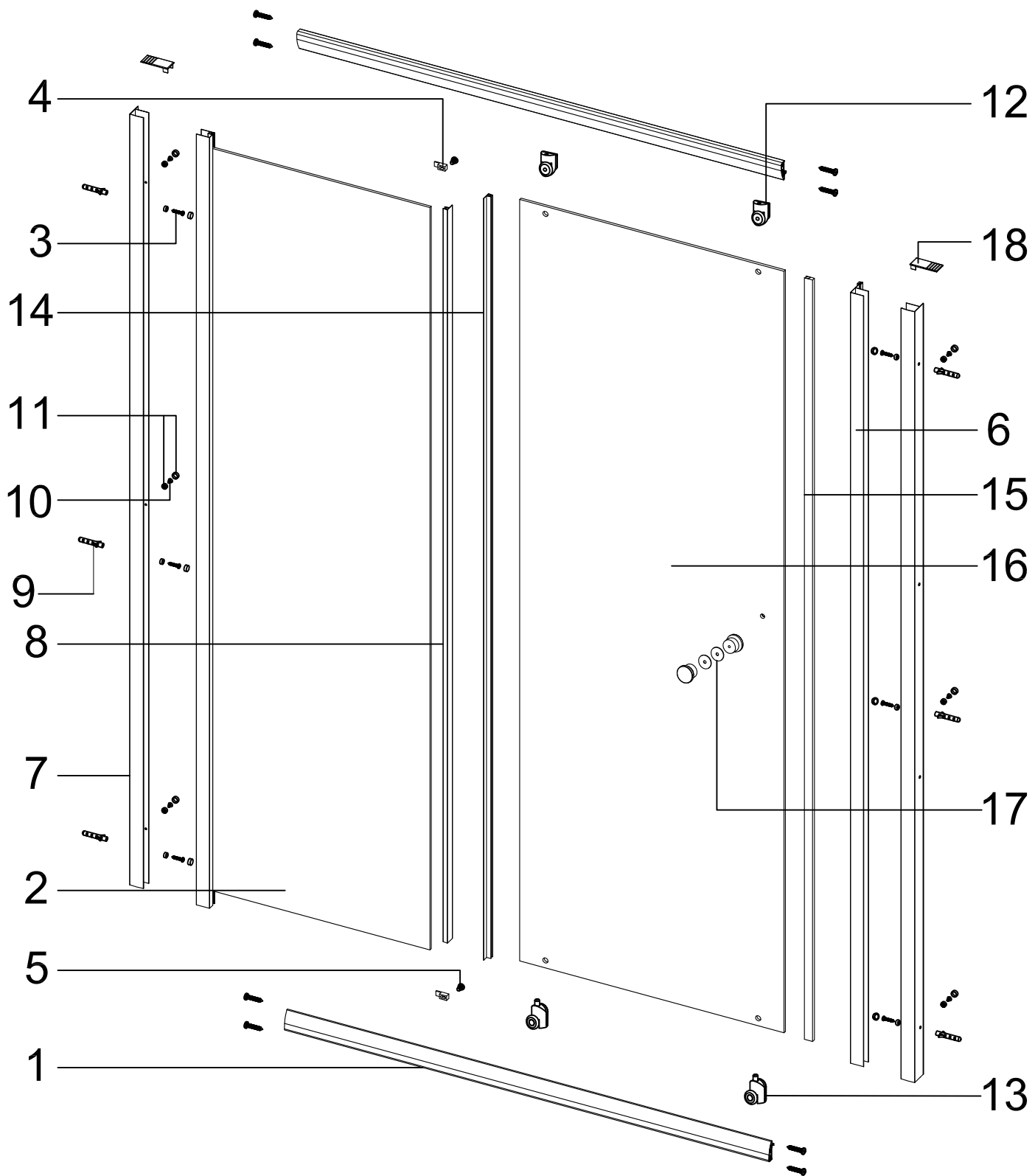
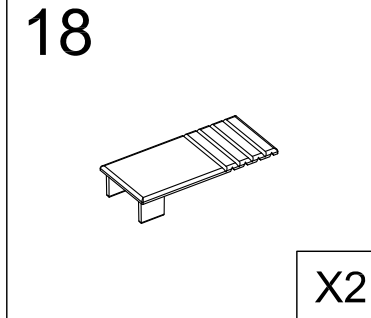
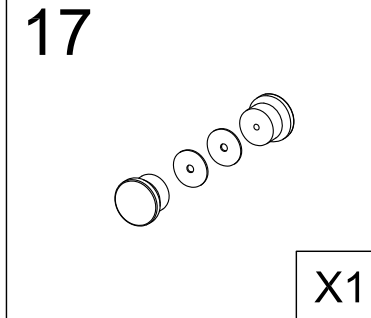
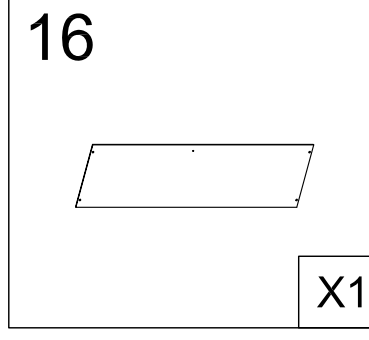
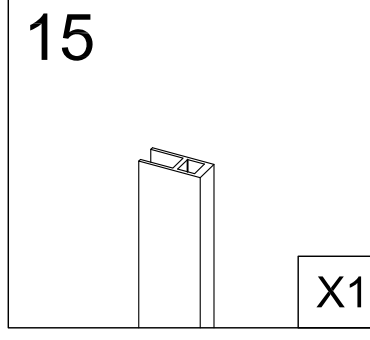
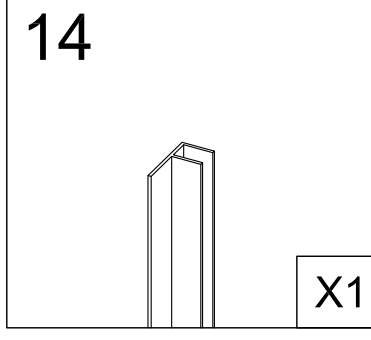
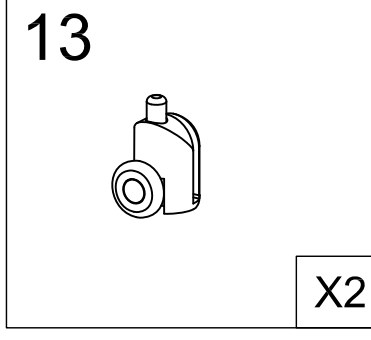
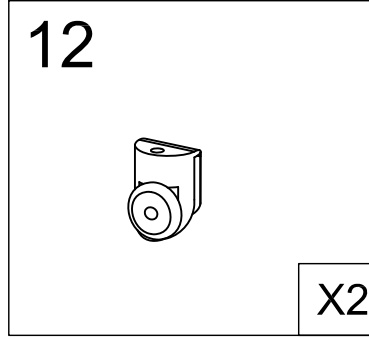
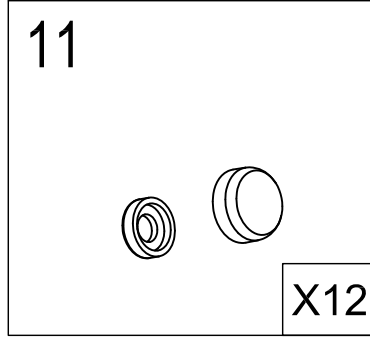
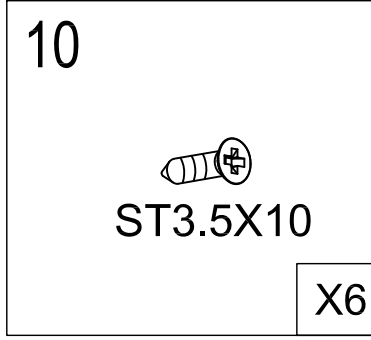
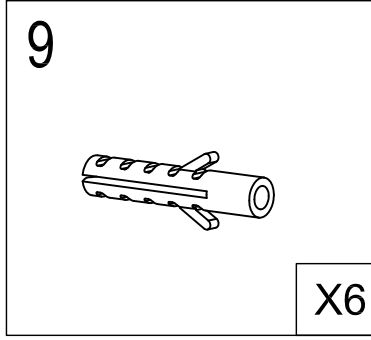
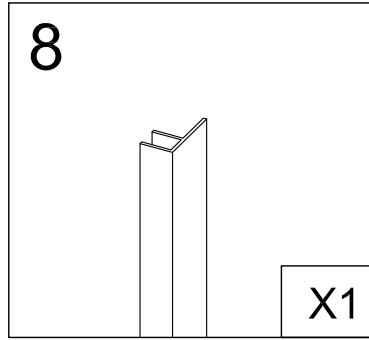
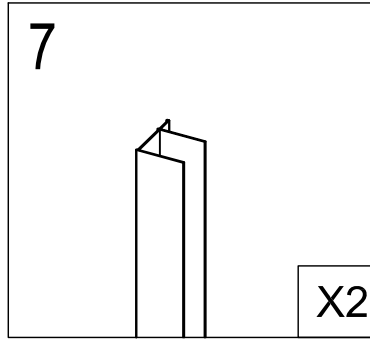
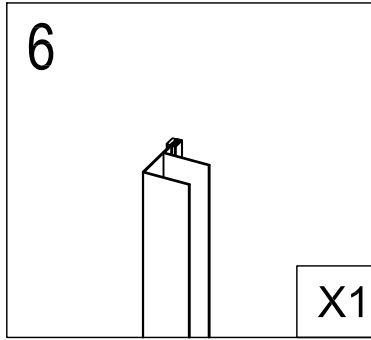
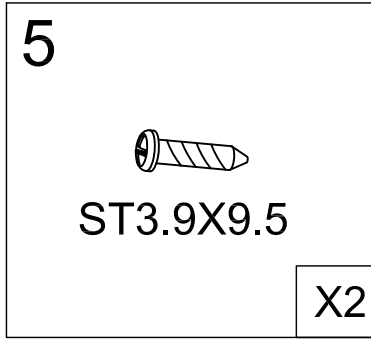
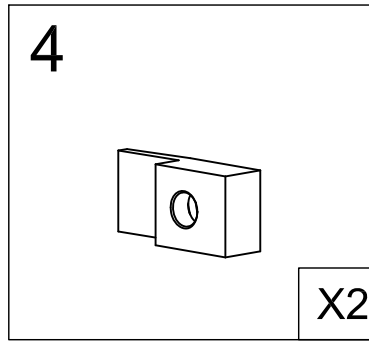
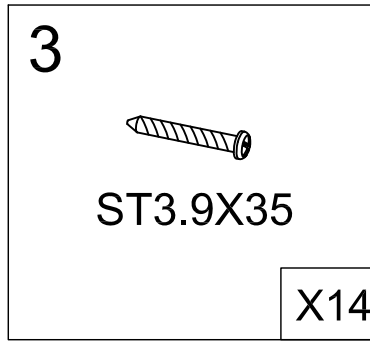
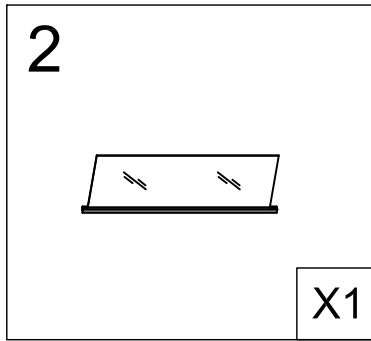
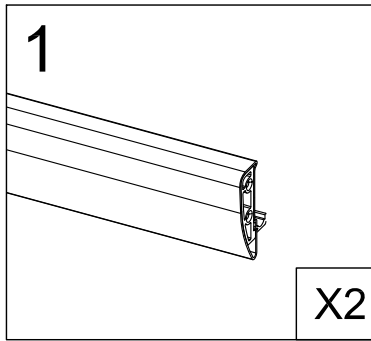
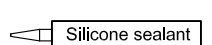
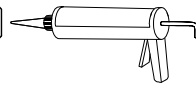
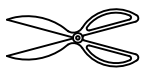
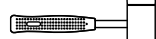
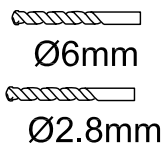
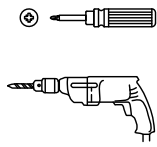
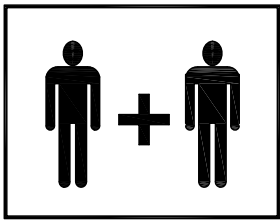
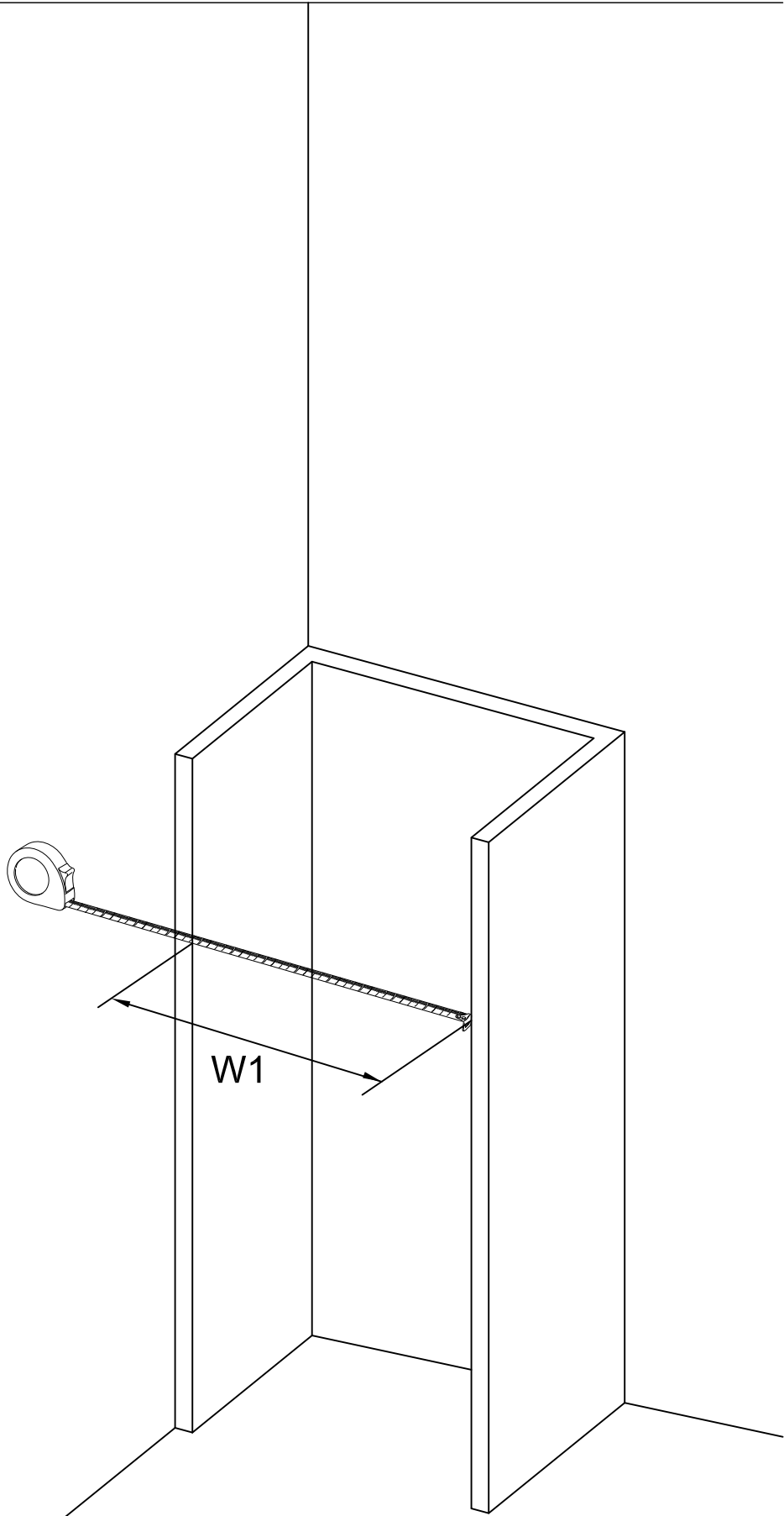
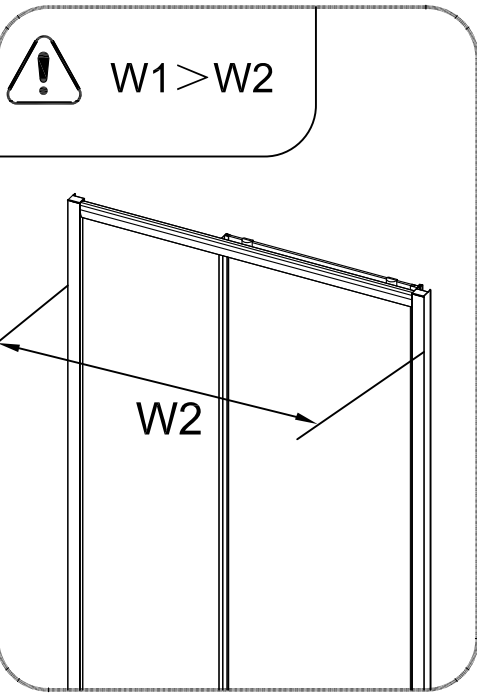
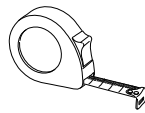


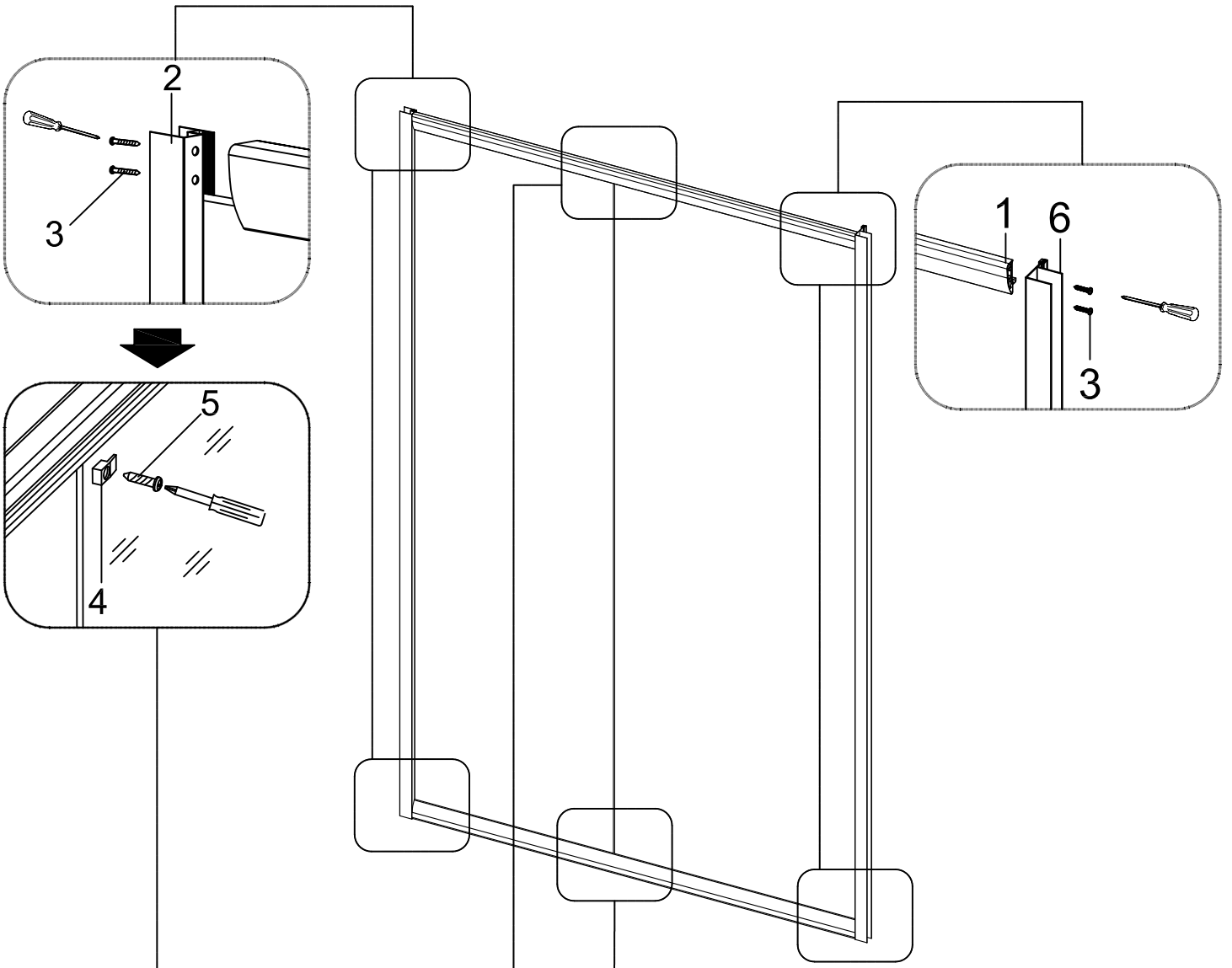
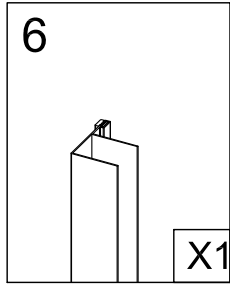
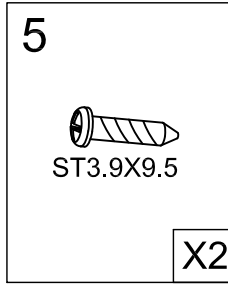
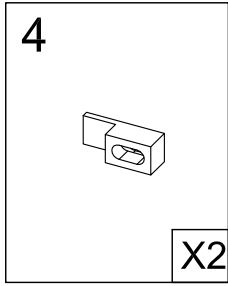
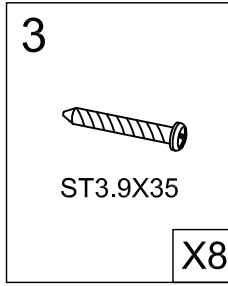
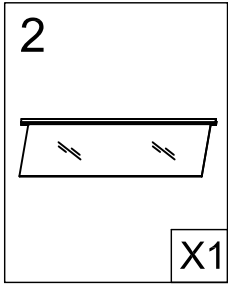
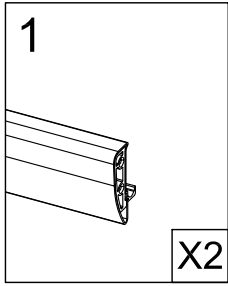
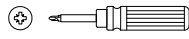
SESD1204 SESD1004

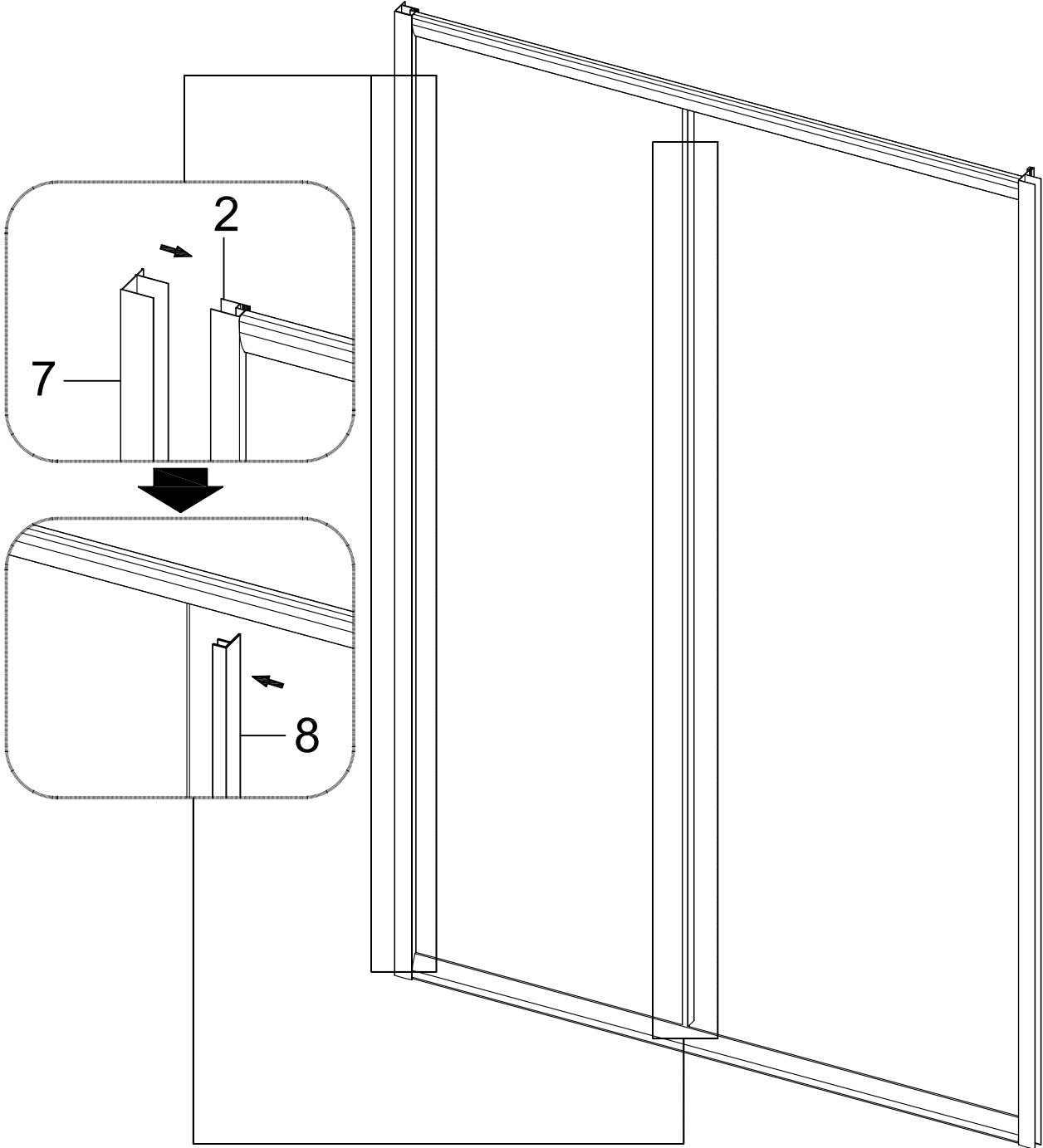
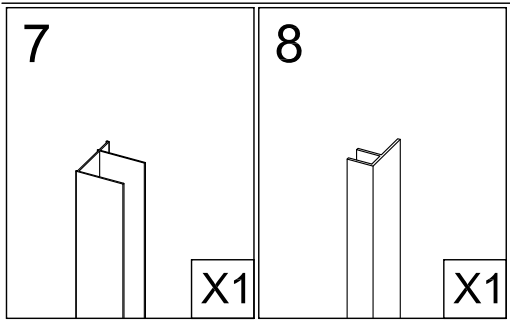


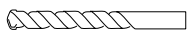




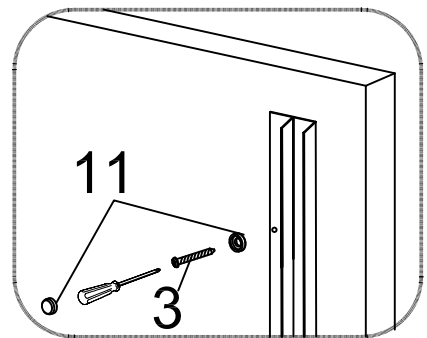
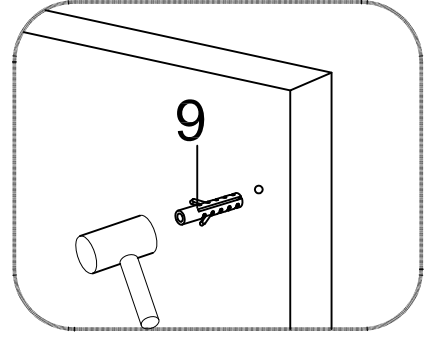
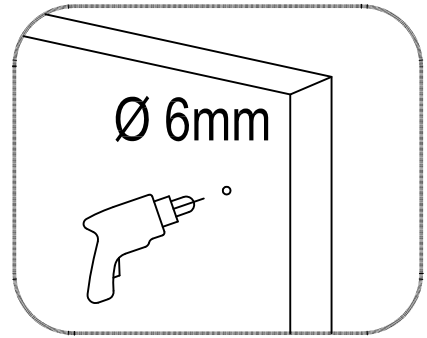
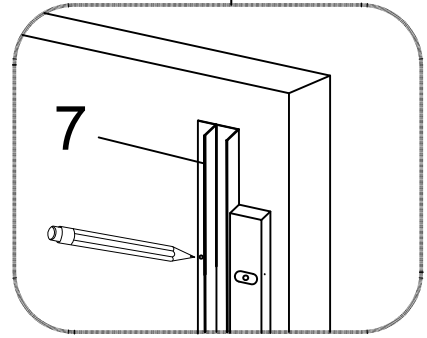
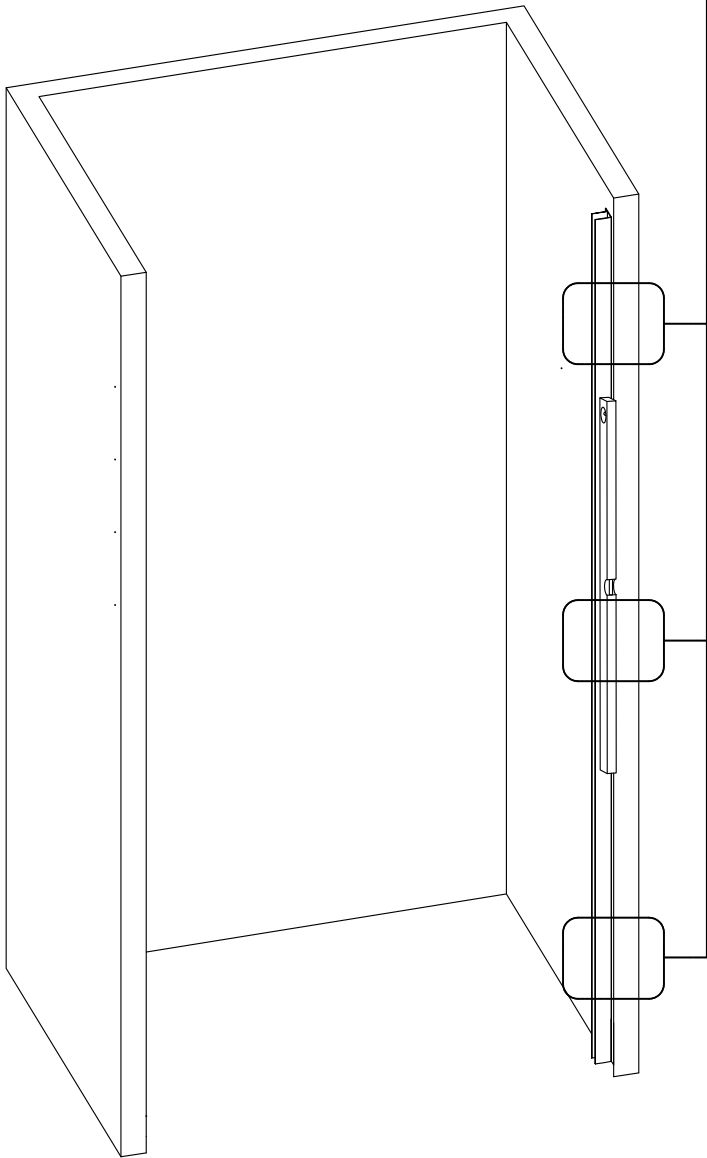
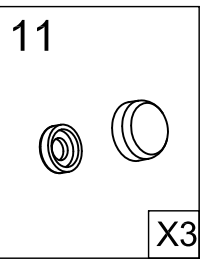
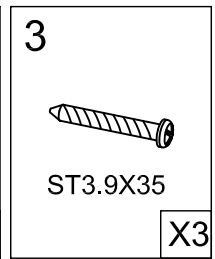
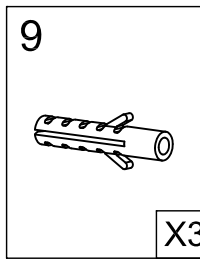
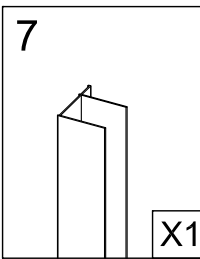
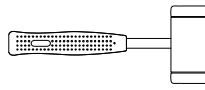
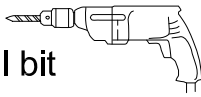




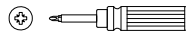
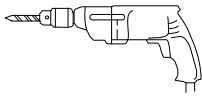







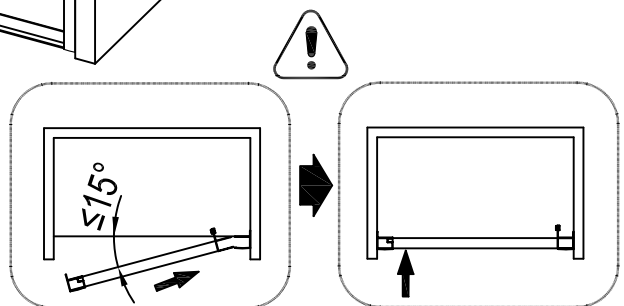
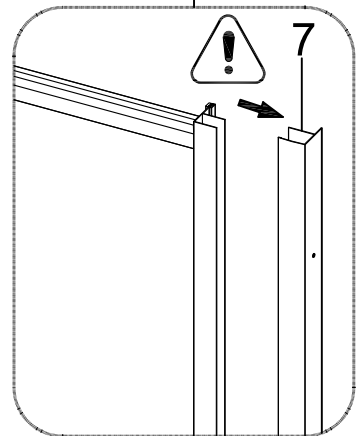
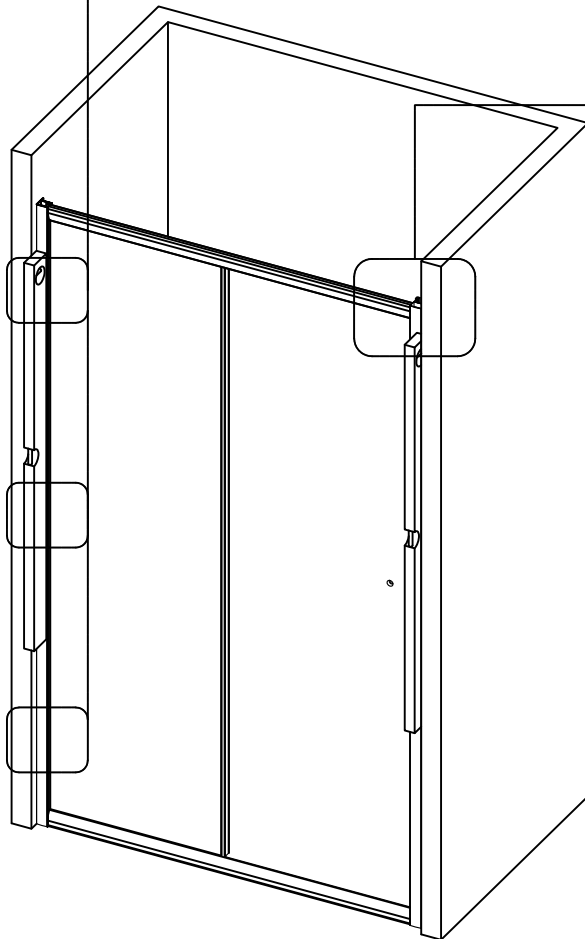
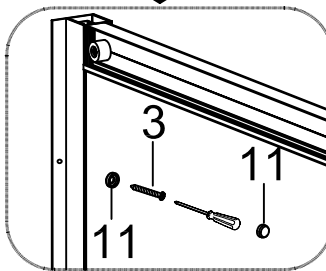
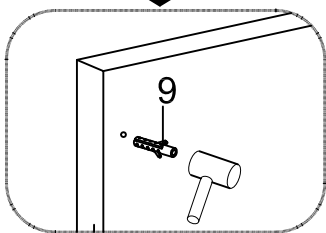
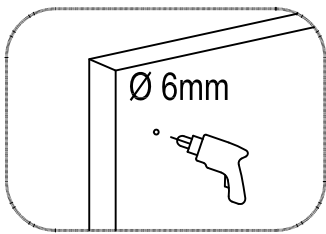
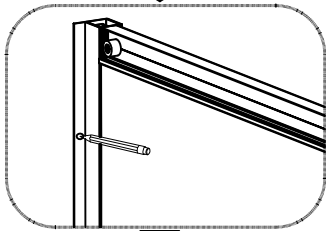
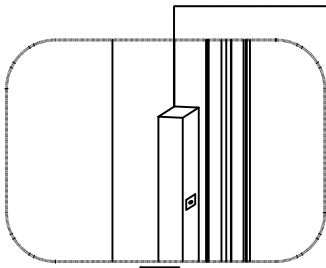
Ø6 Masonry drill bit

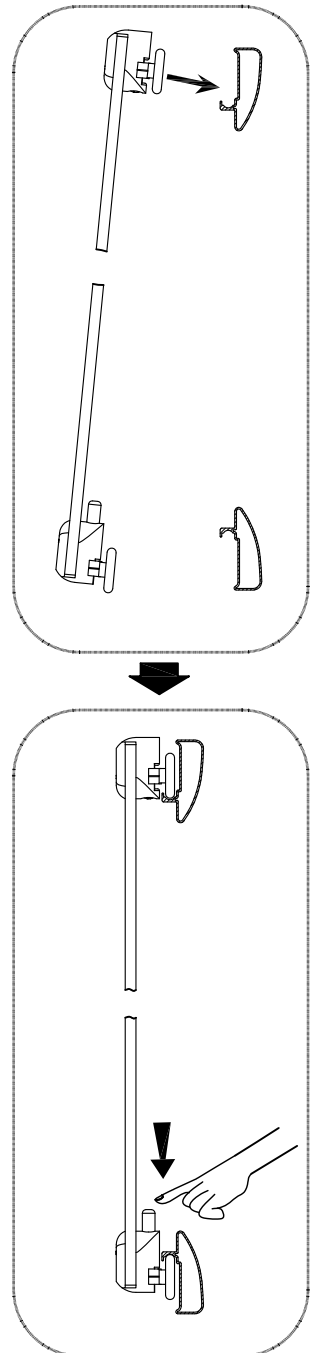
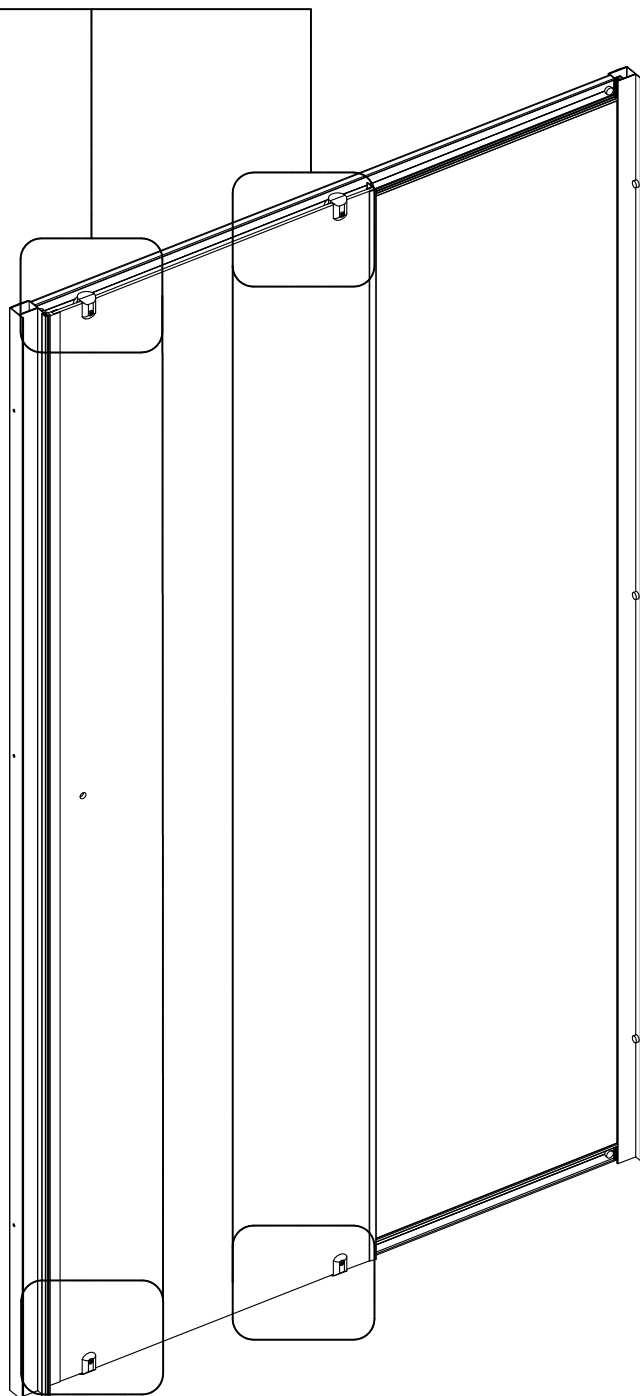
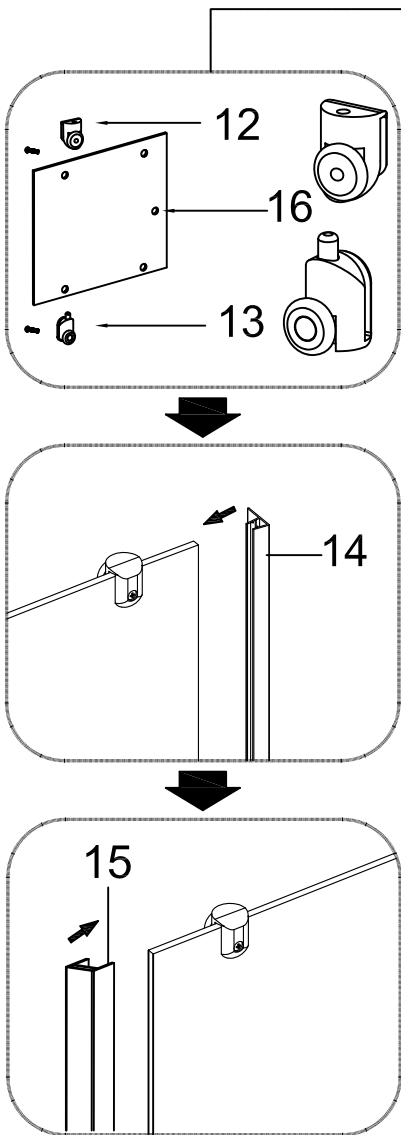
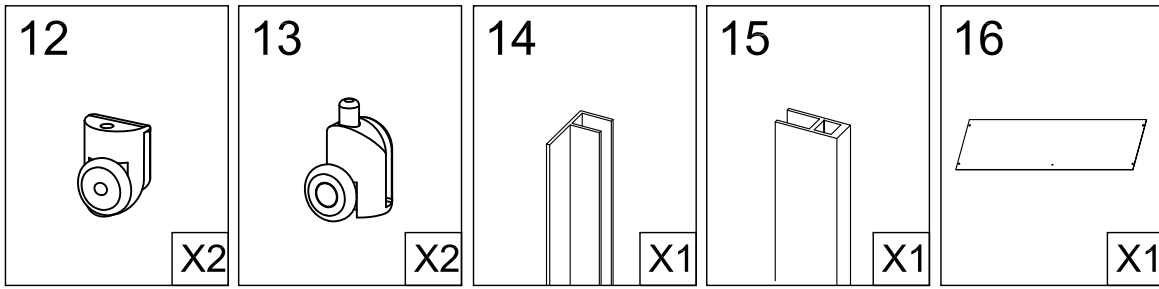
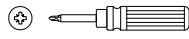


Ø6mm HSS drill bit

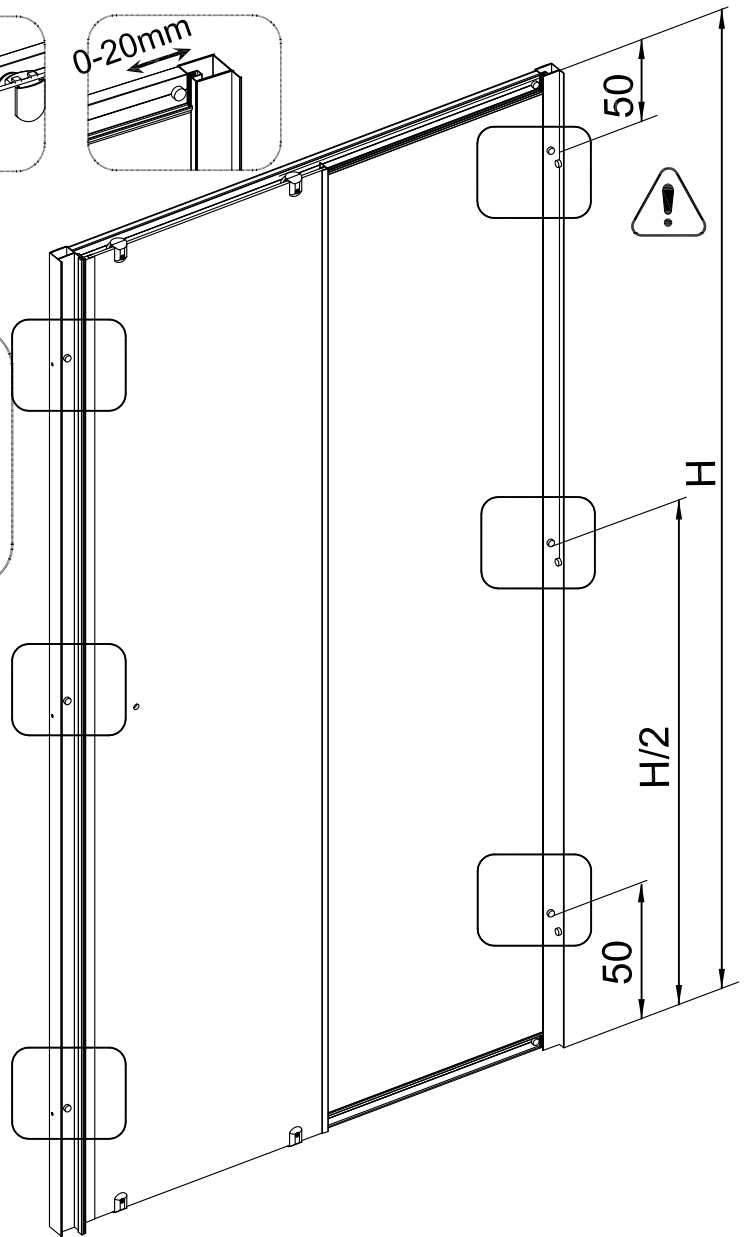
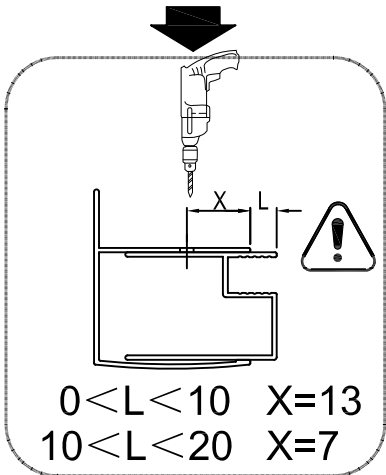
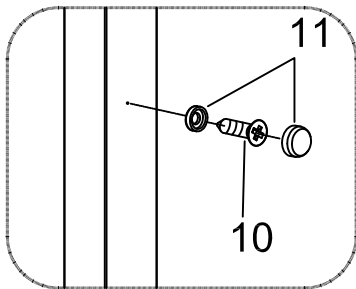
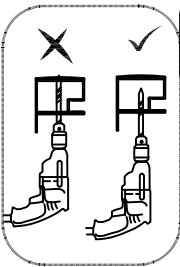
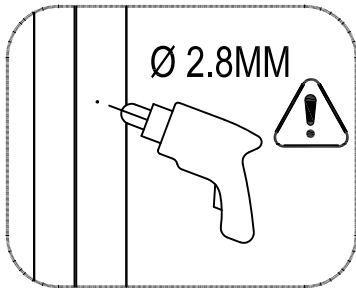
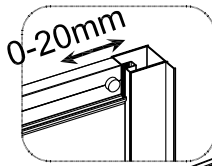
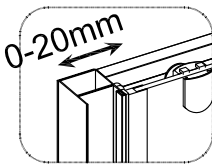
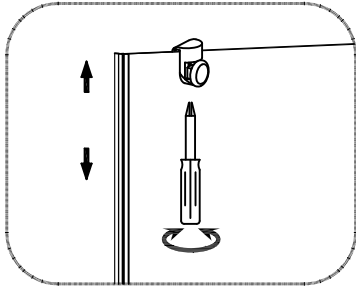
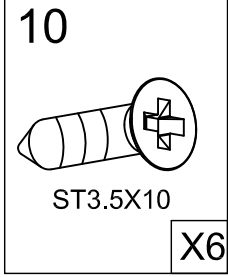
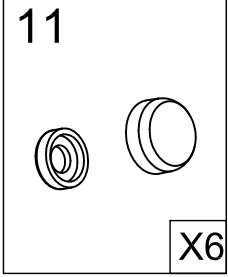
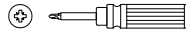
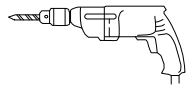


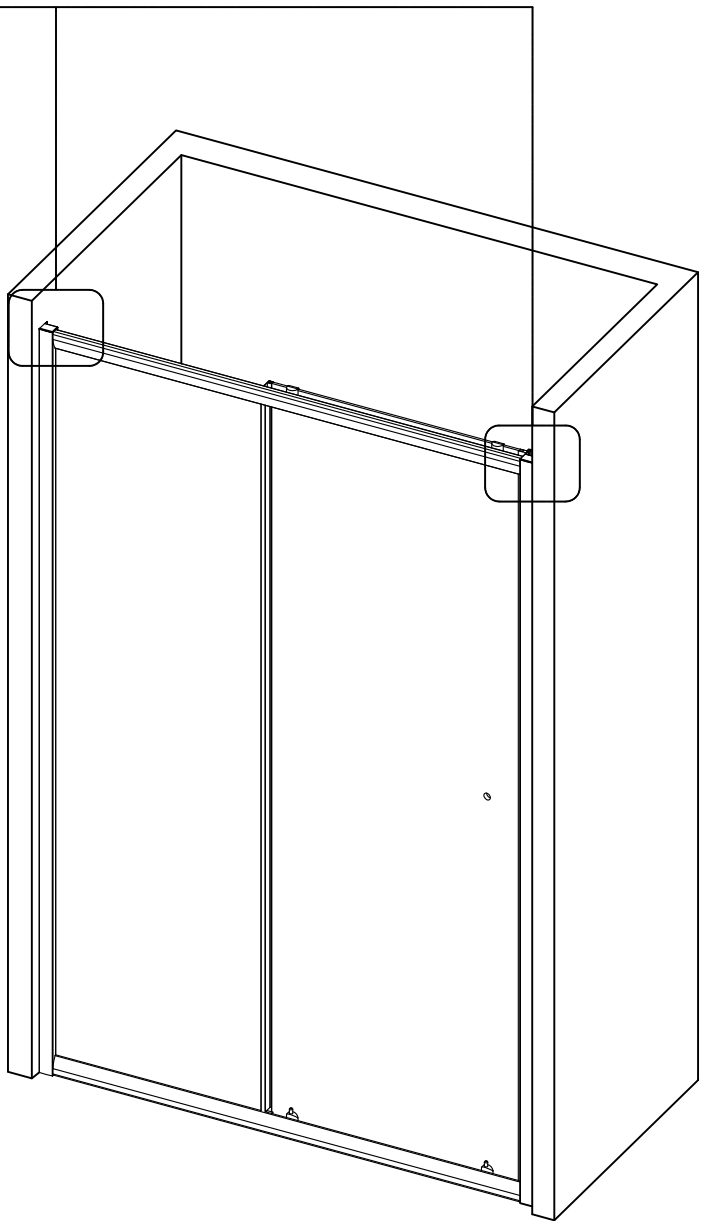
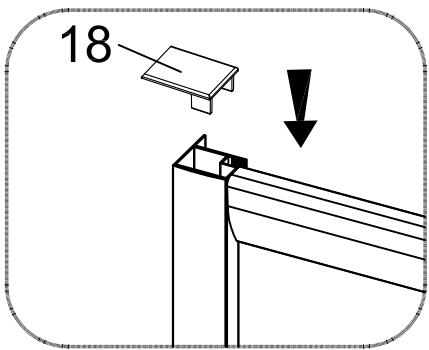
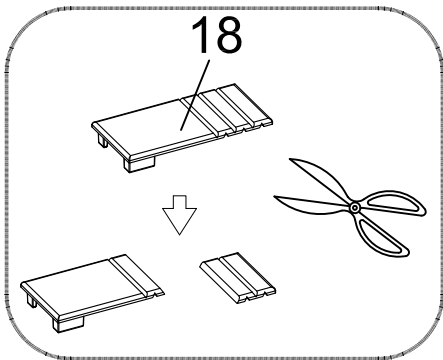
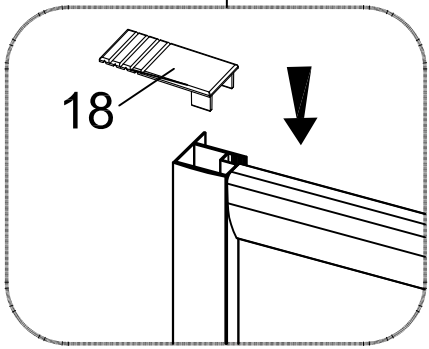
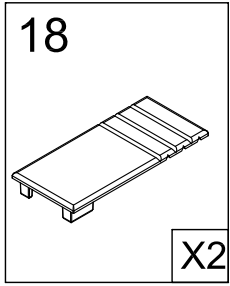
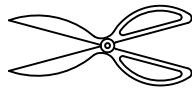
9  X3	3  ST3.9X35 X3	11  X3
---	--	---

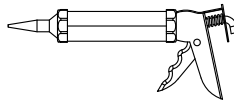




Ø2.8 Masonry drill bit







17



X1

