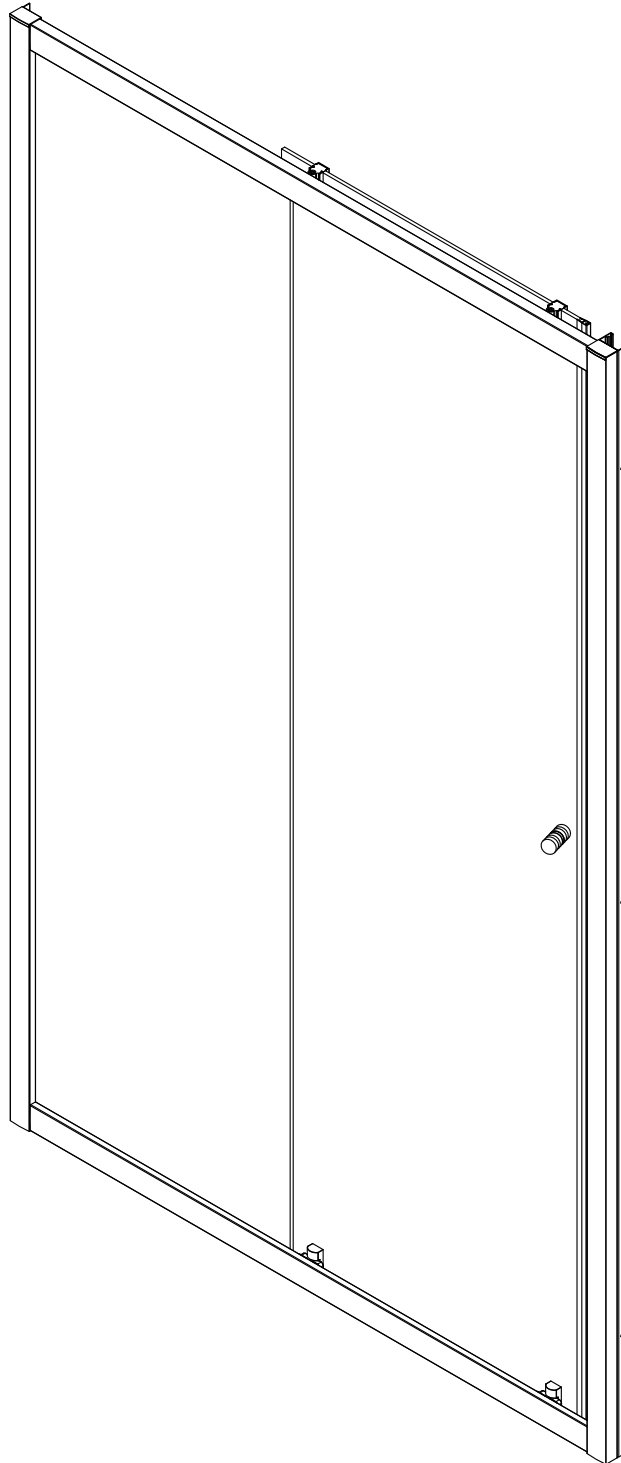
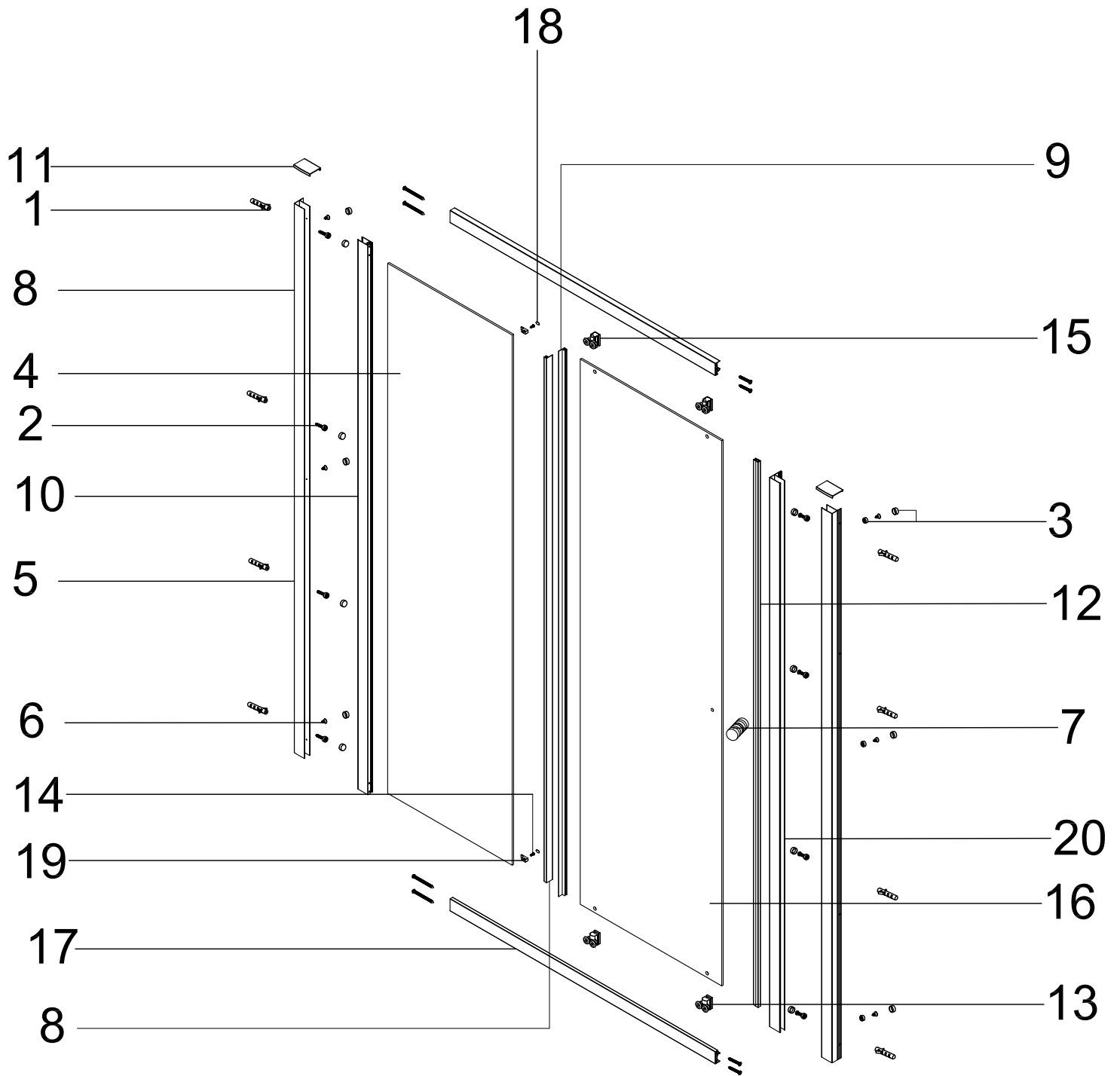
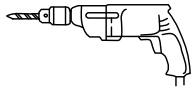
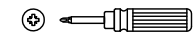
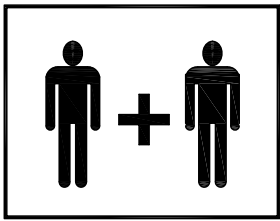


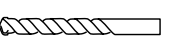
SESD1006 SESD1206



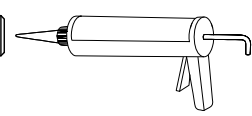
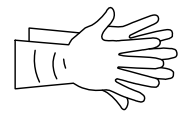
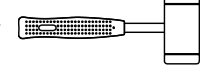
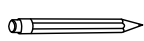




Ø6mm




Ø2.8mm



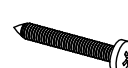
4 mm

1



X8

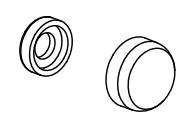
2



ST3.9X35


X16

3



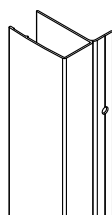
X14

4



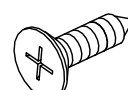
X1

5



X2

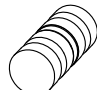
6



ST3.5X10


X6

7




X1

8



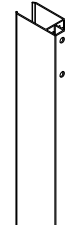
X1

9



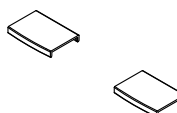
X1

10



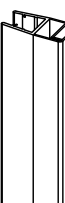
X1

11



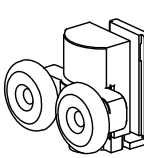
X1

12




X1

13



X2

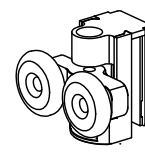
14



ST3.9X13

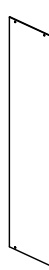
X2

15



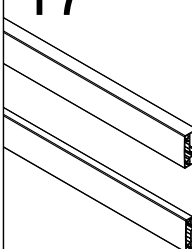
X2

16




X1

17



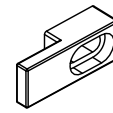
X1

18




X2

19

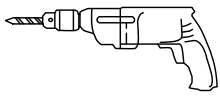
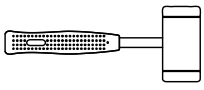


X2

20



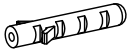
X1



Ø6mm



1

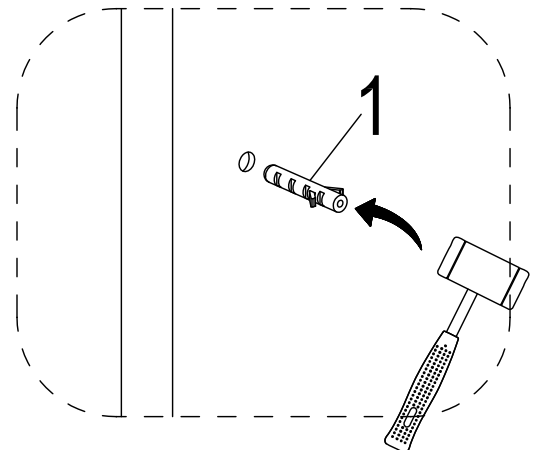
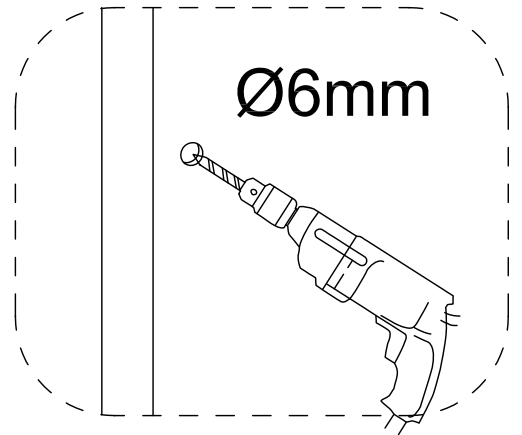
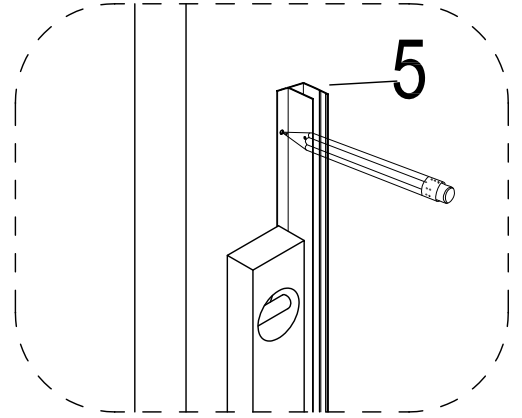
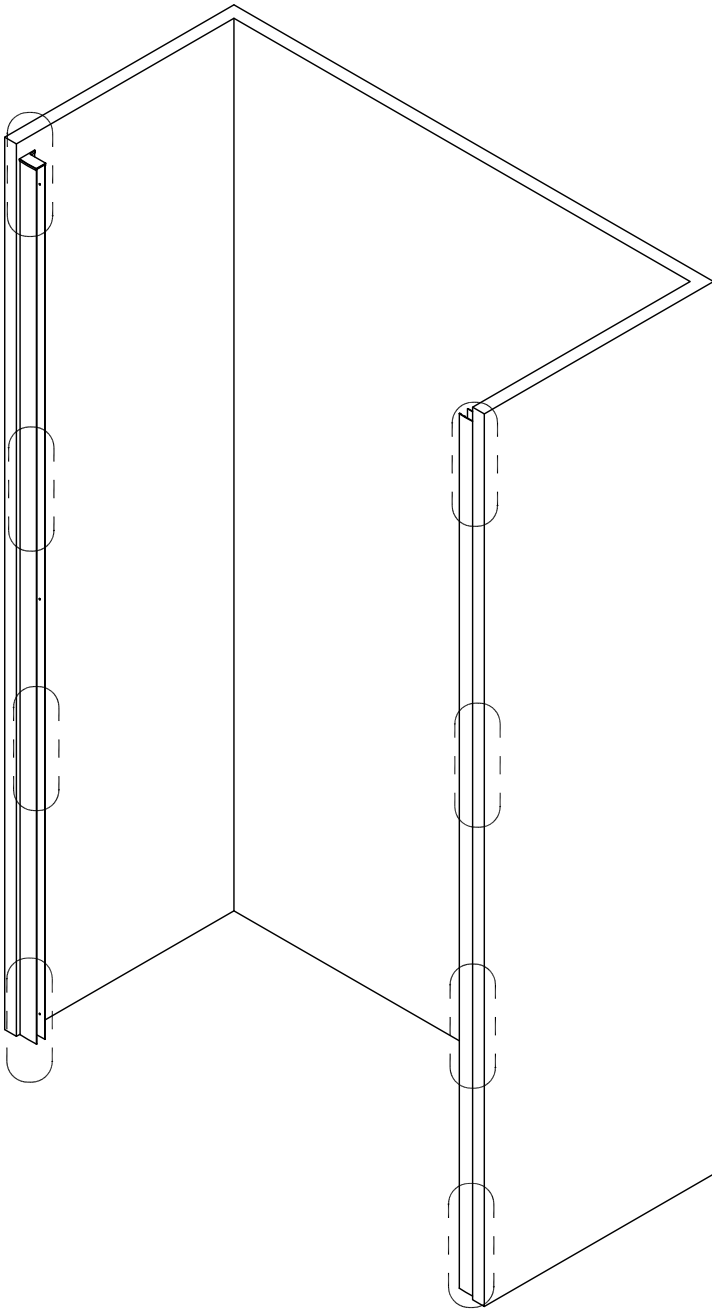


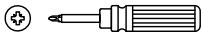
X8

5

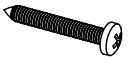


X1





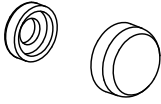
2



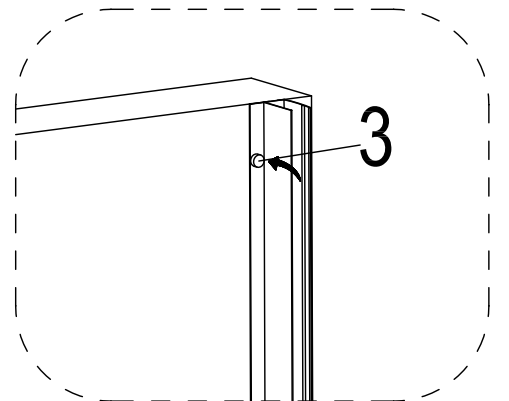
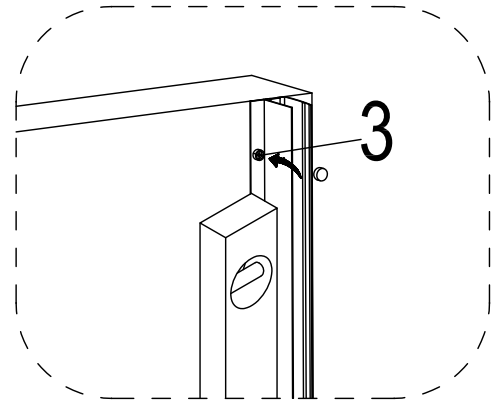
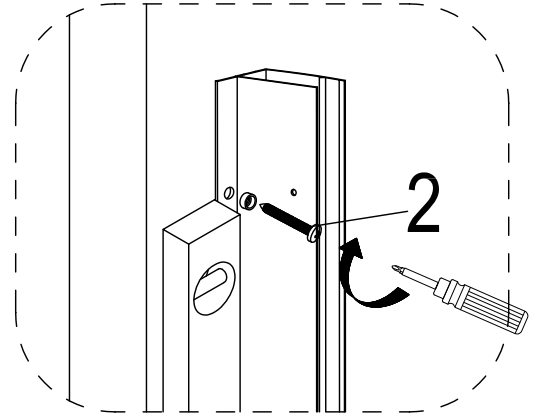
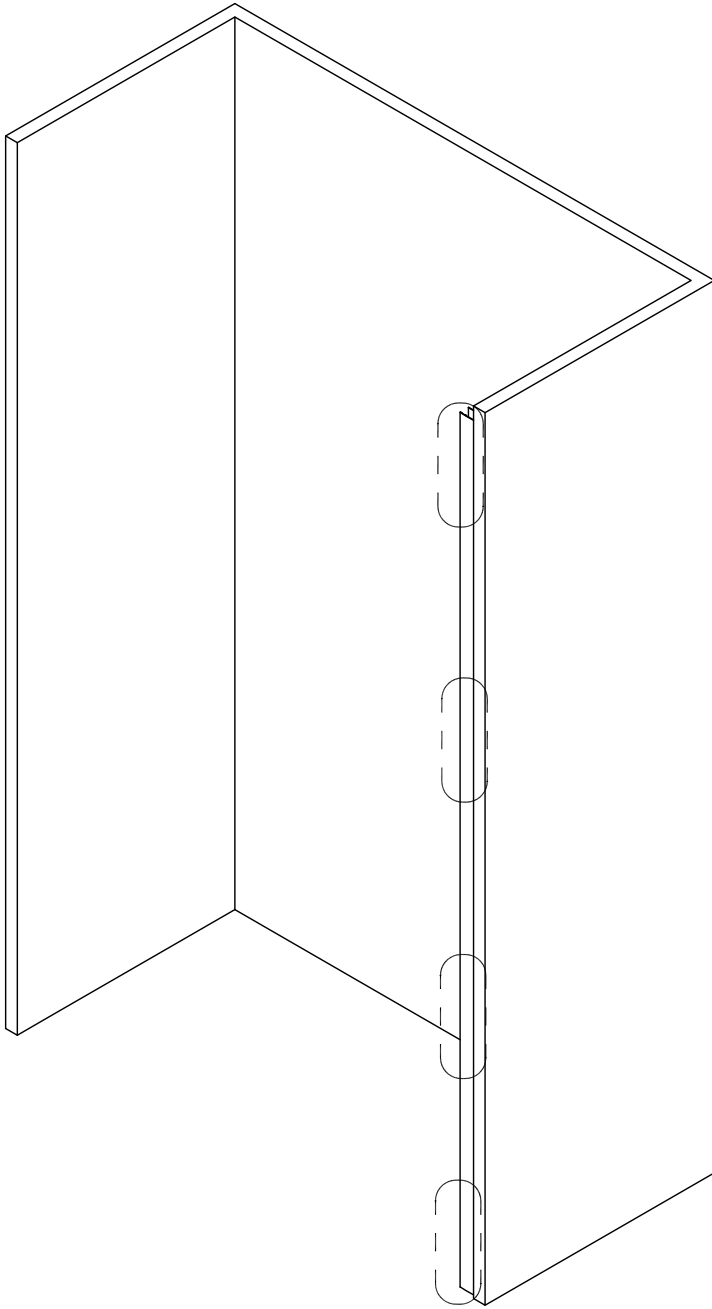
ST3.9X35

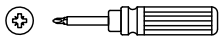
X4

3



X4





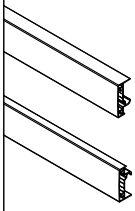
2



ST3.9X35

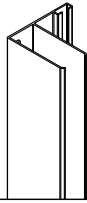
X8

17



X1

20

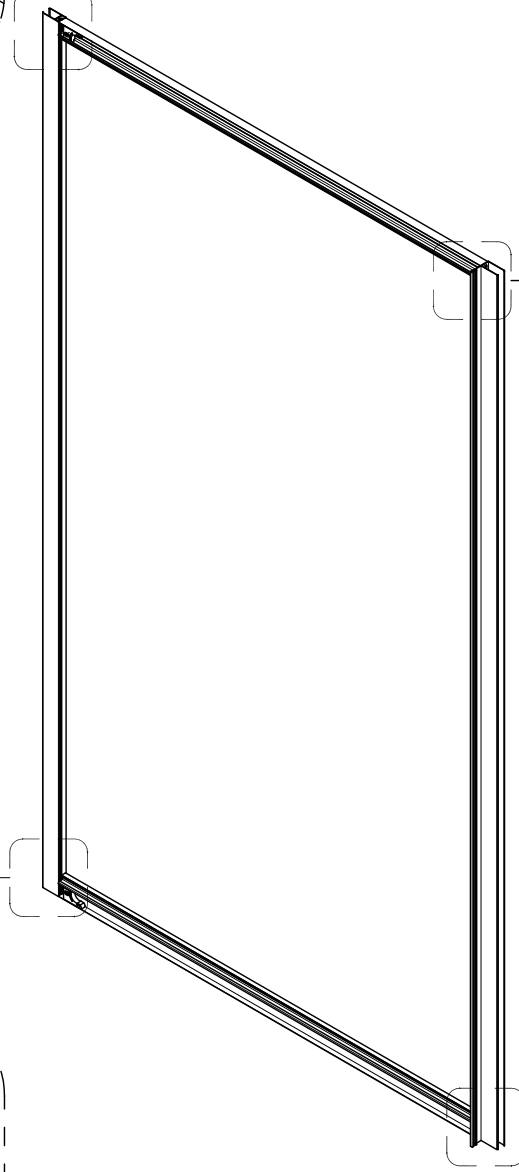
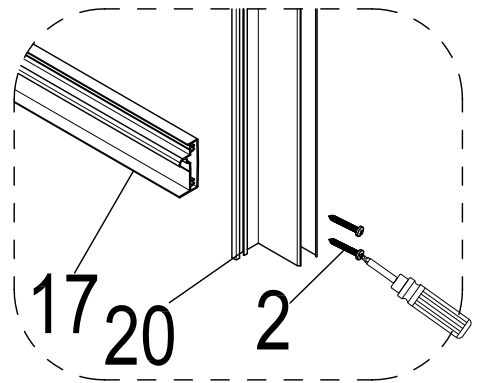
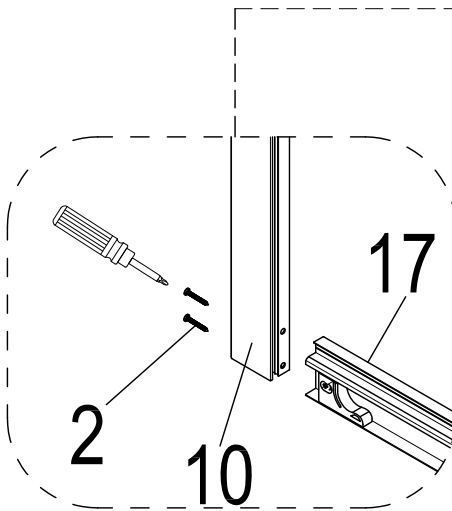
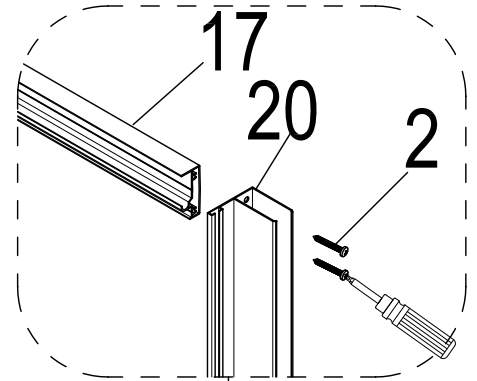
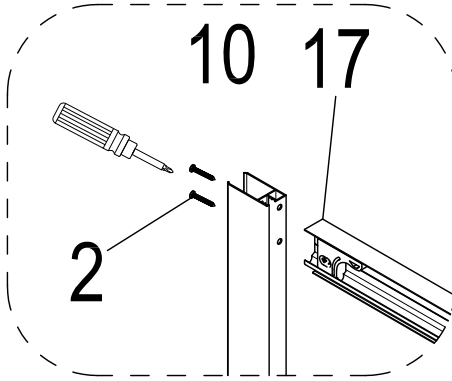


X1

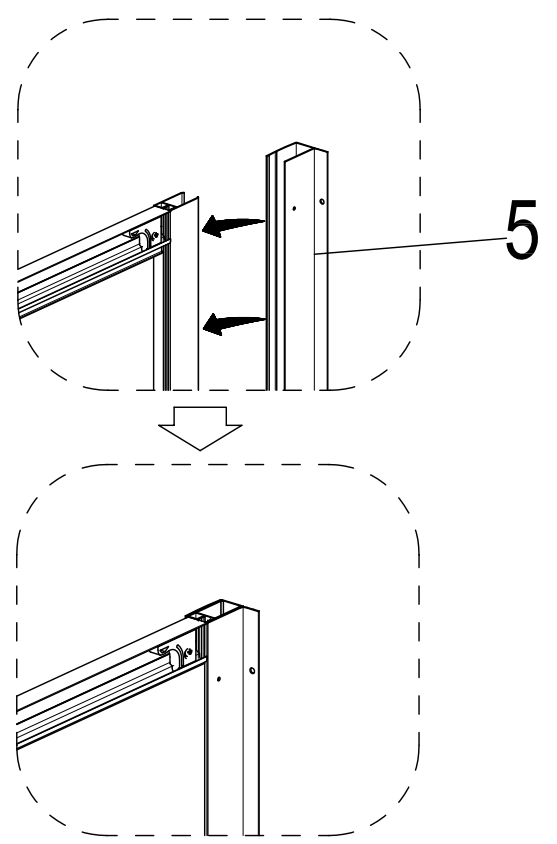
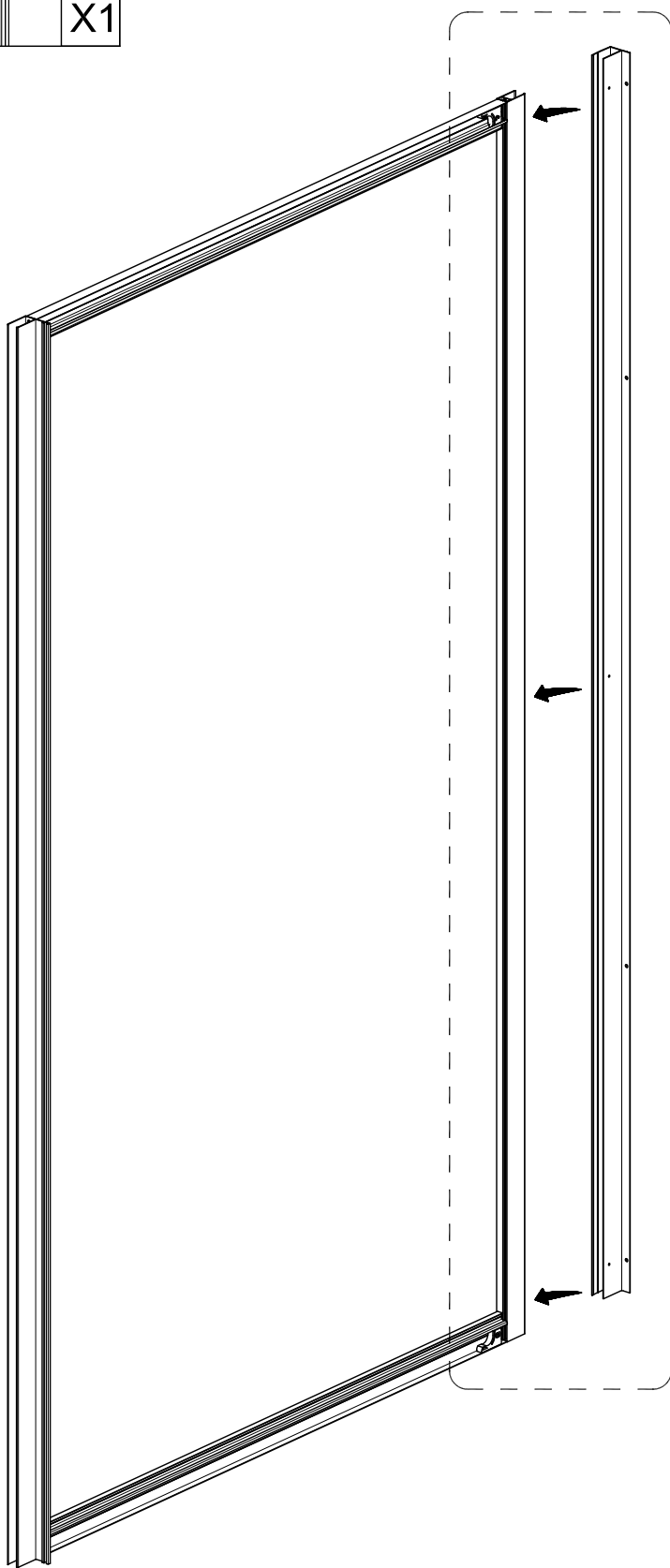
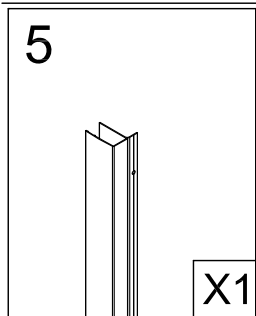
10



X1



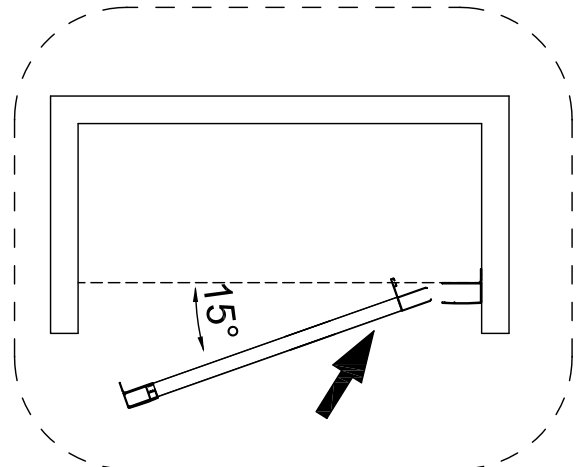
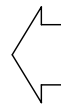
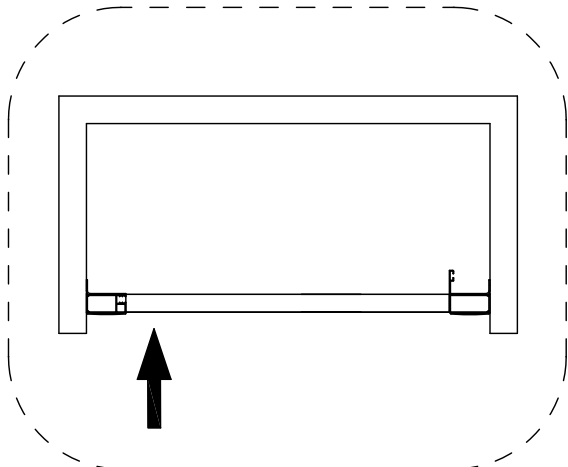
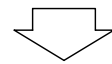
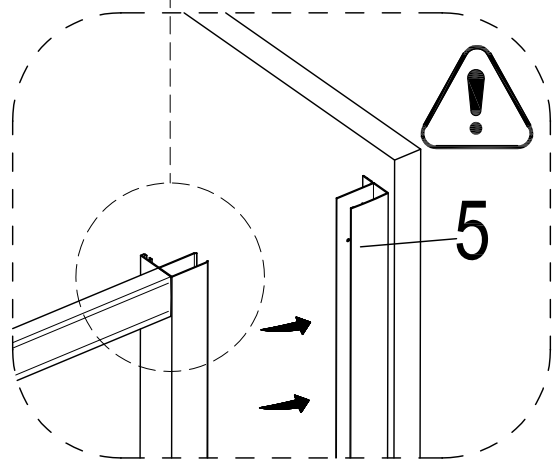
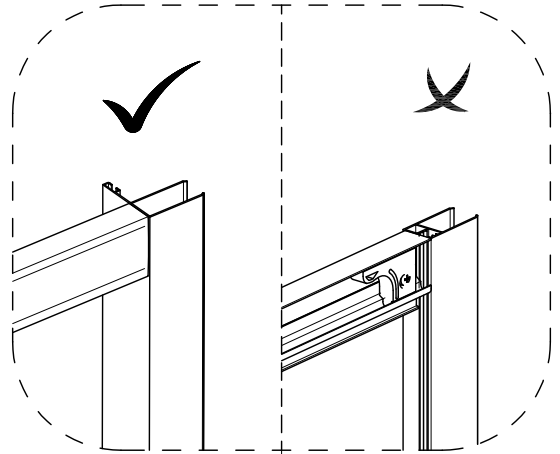
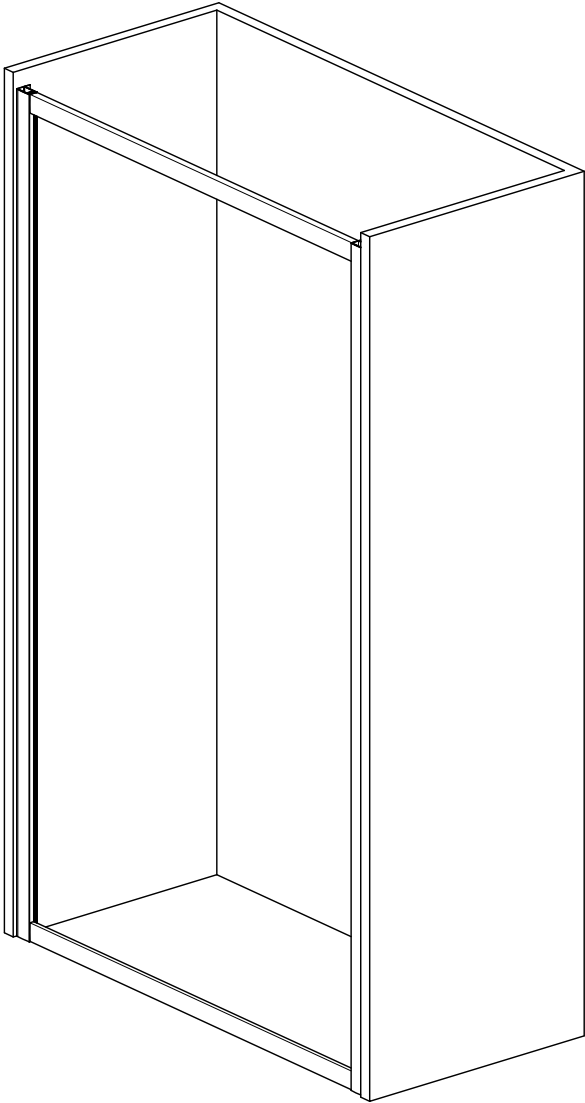
6

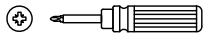


5



X1





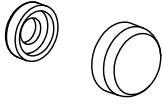
2



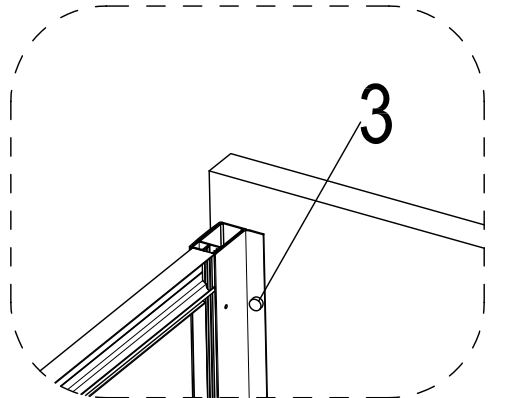
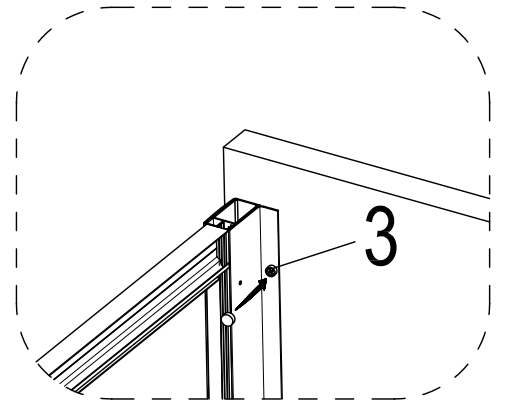
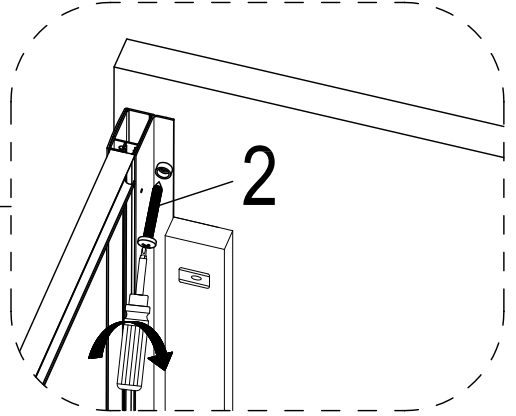
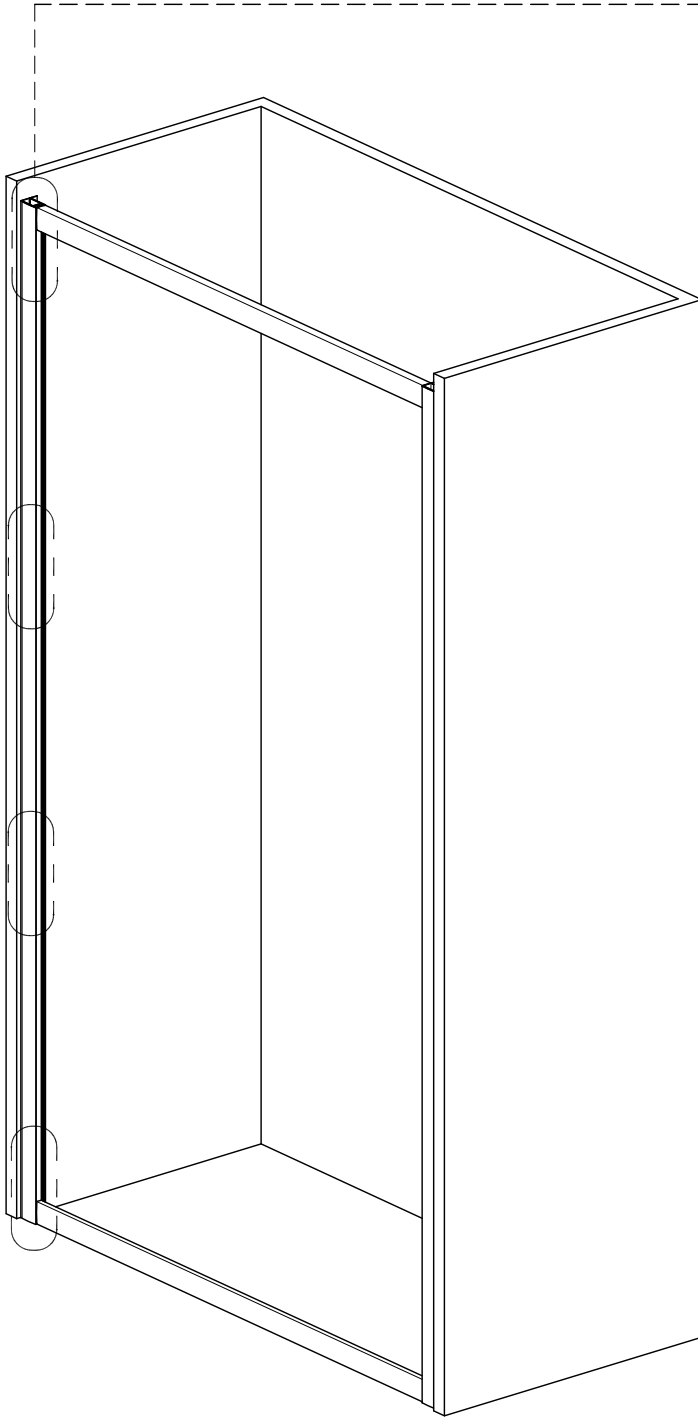
ST3.9X35

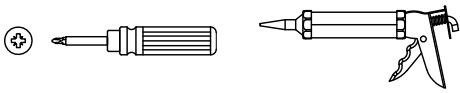
X4


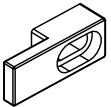


3

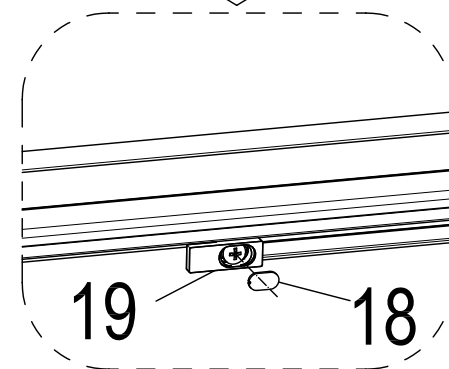
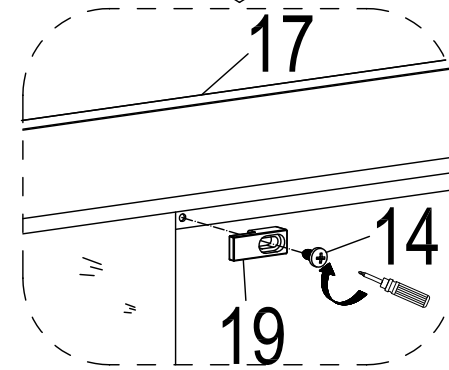
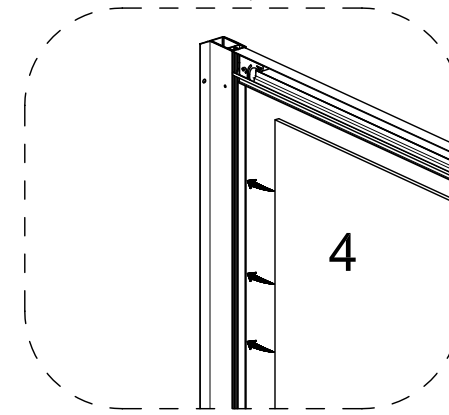
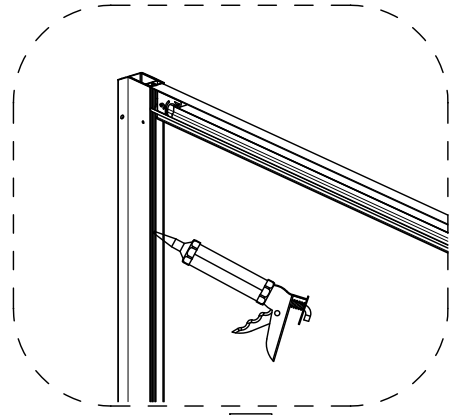
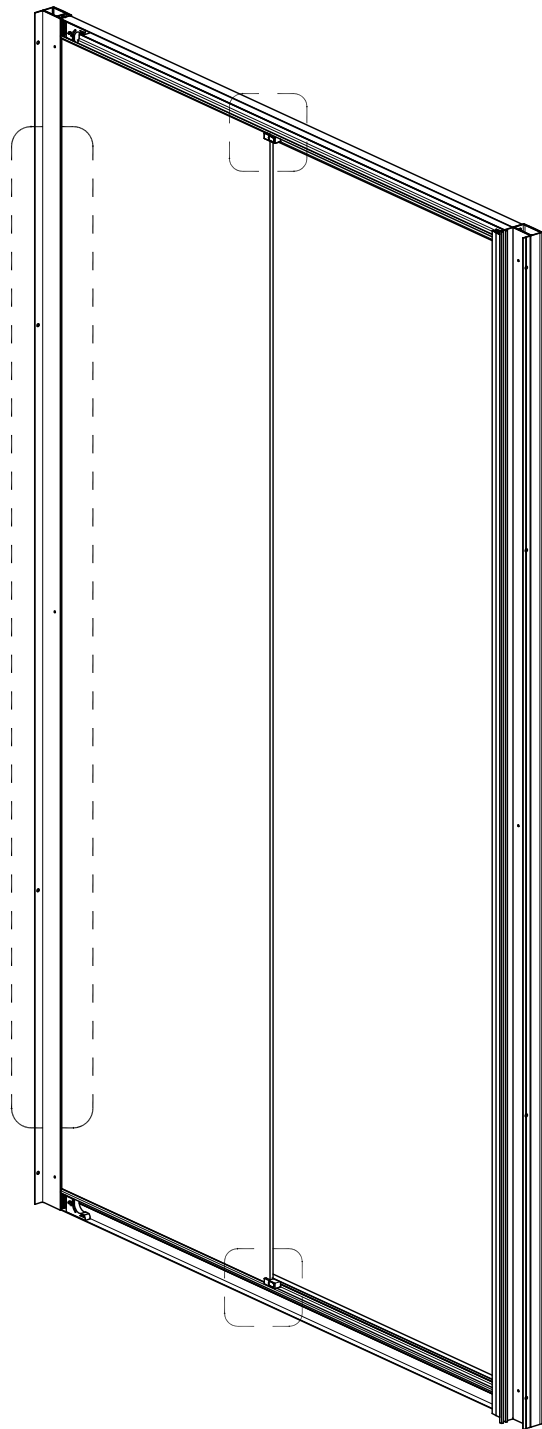


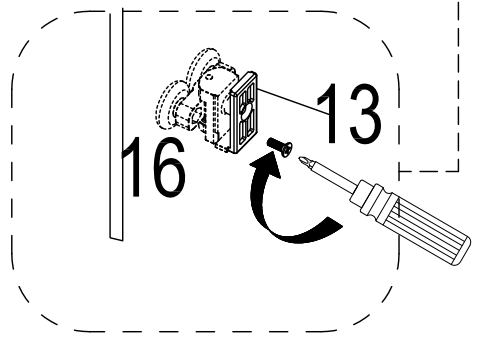
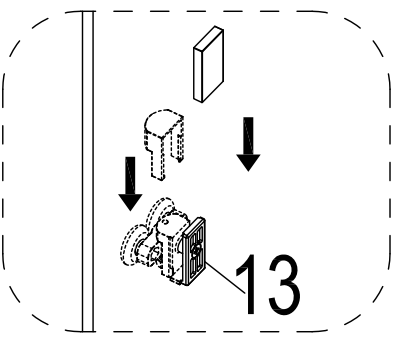
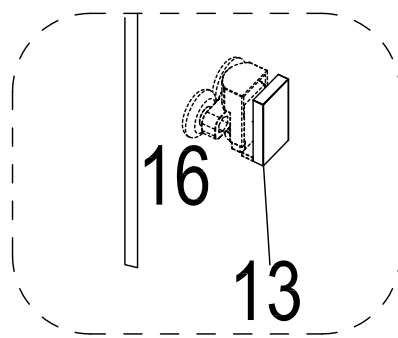
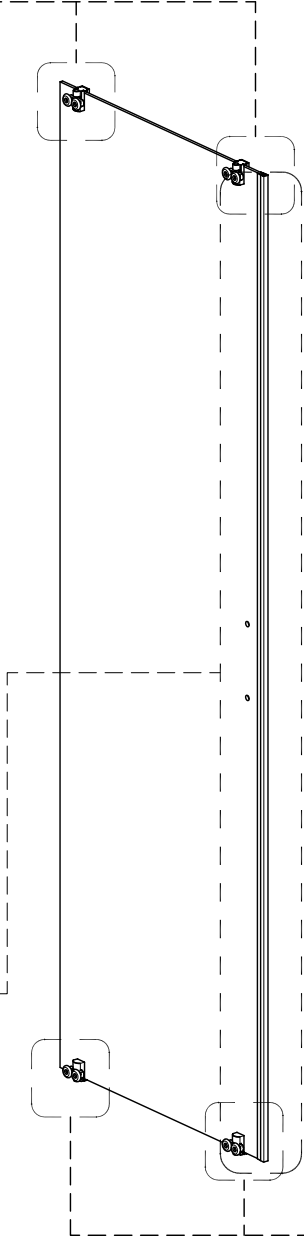
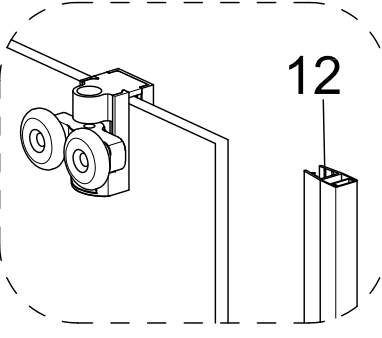
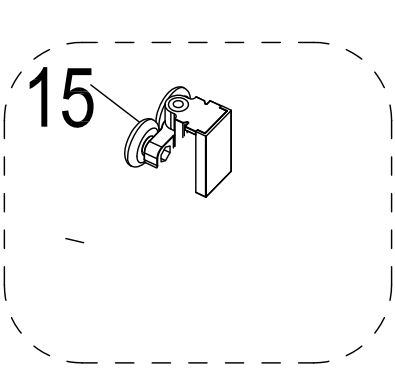
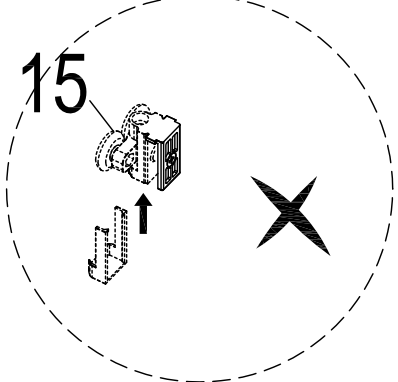
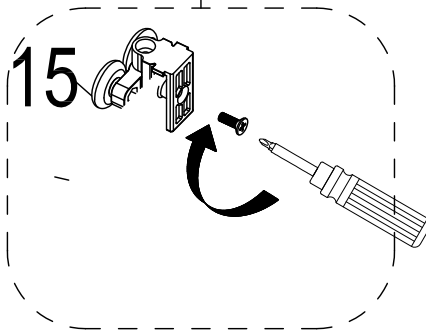
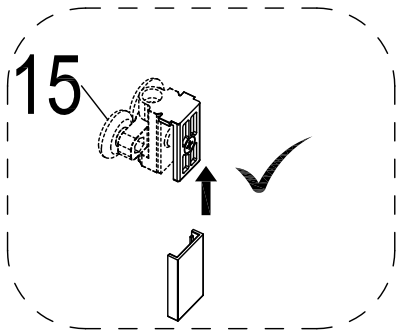
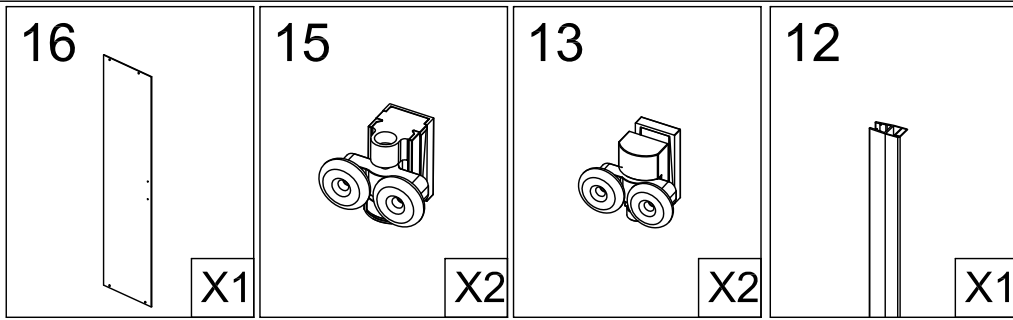
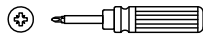
X4

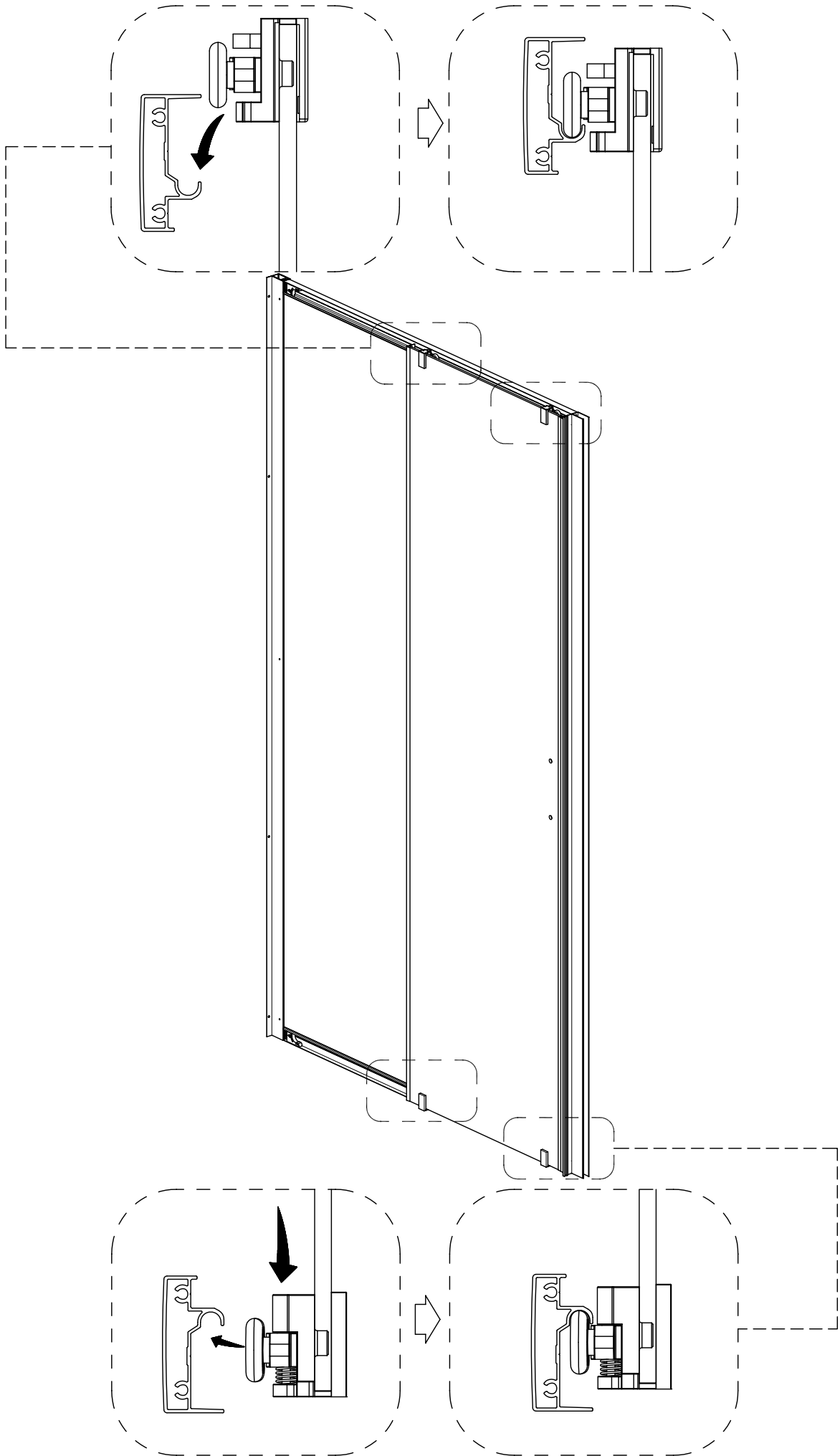


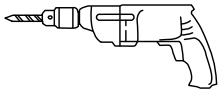
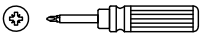


14  ST3.9X13 X2	19  X2	18  X2	4  X1
---	---	---	--

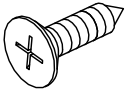








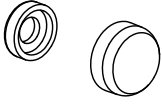
6



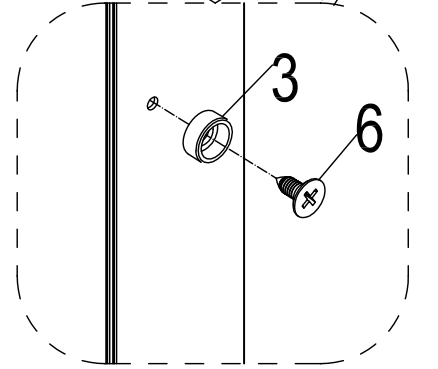
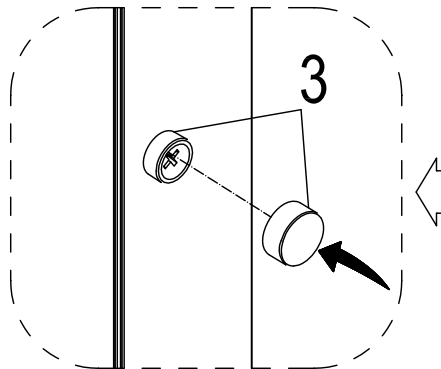
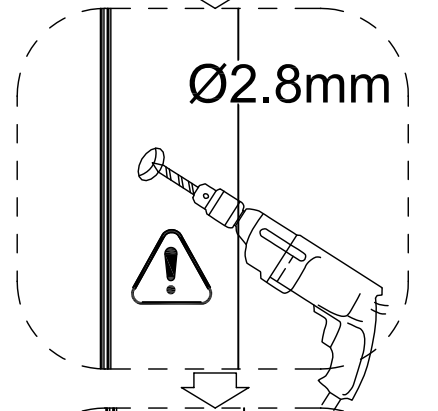
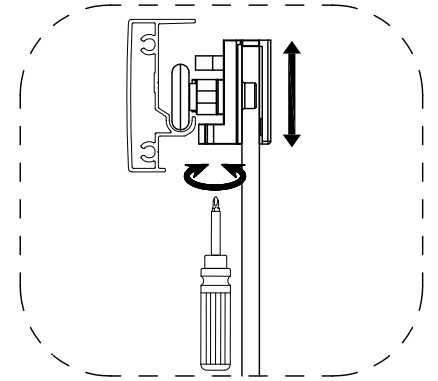
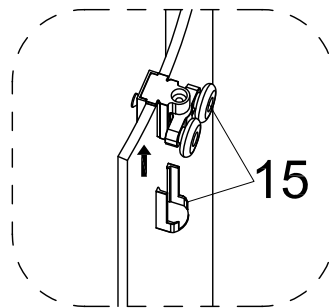
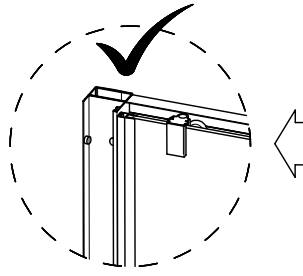
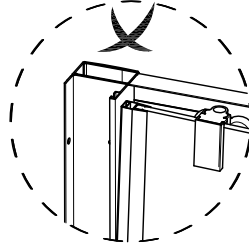
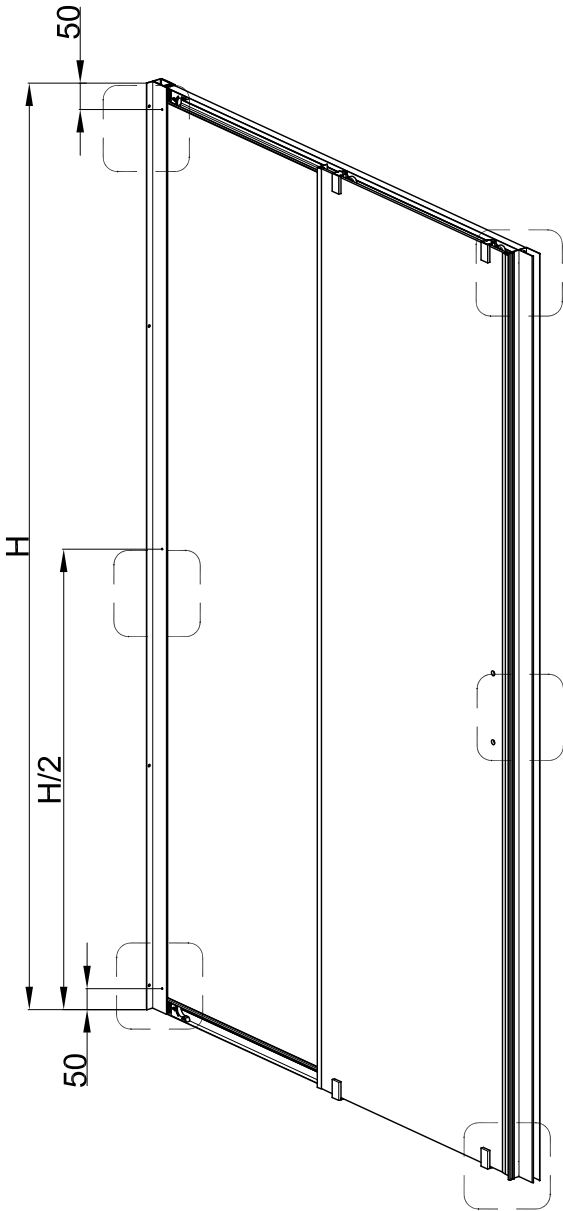
ST3.5X10

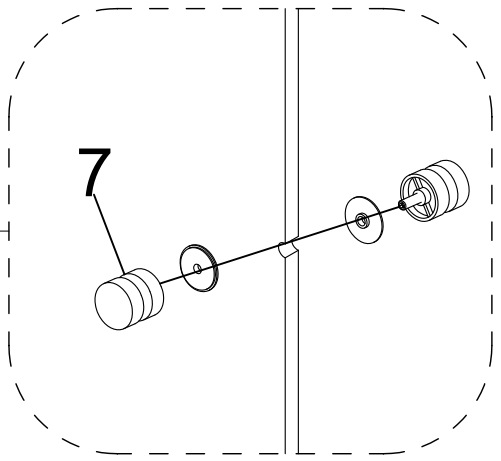
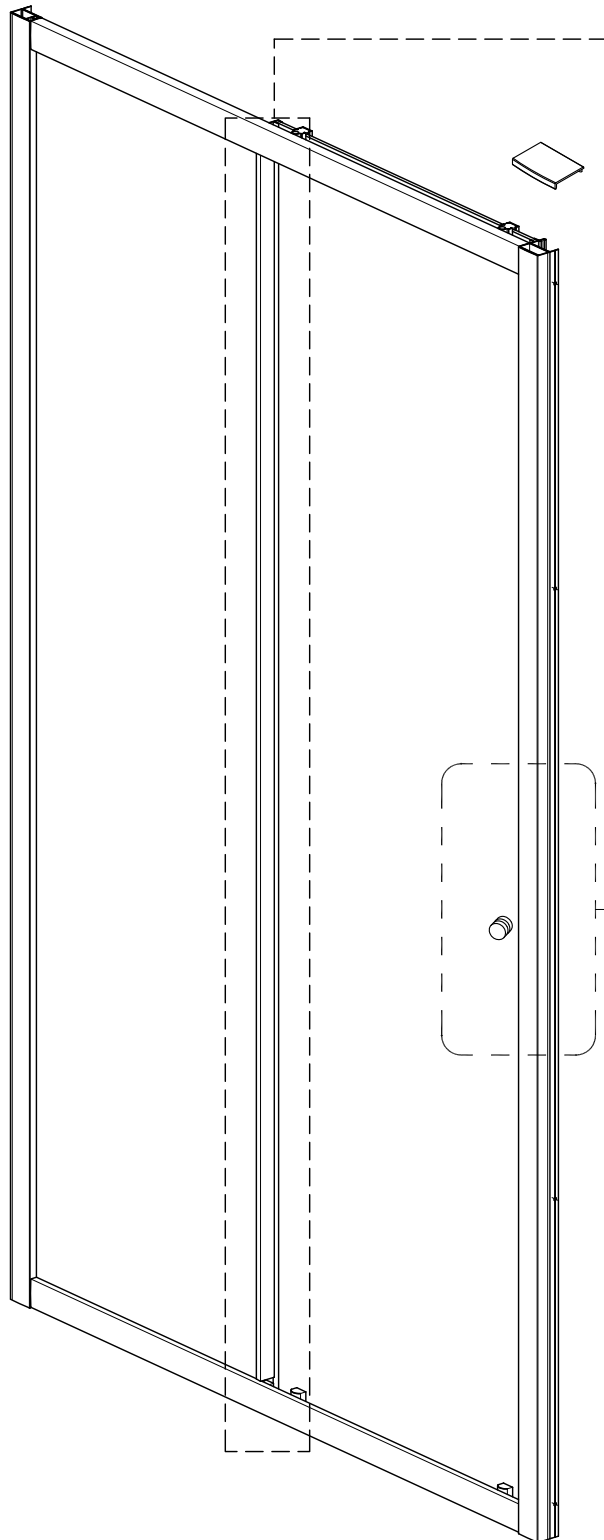
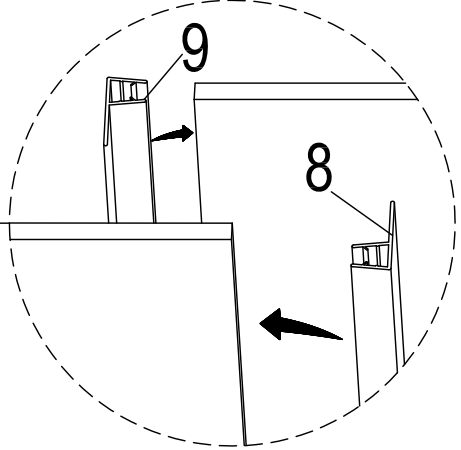
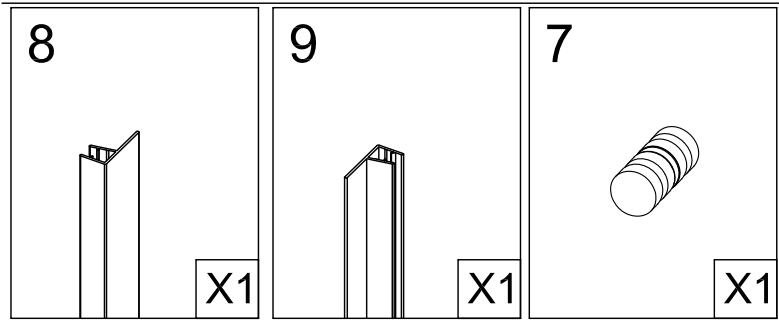
X6

3

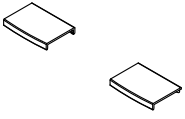


X6





11



X2

