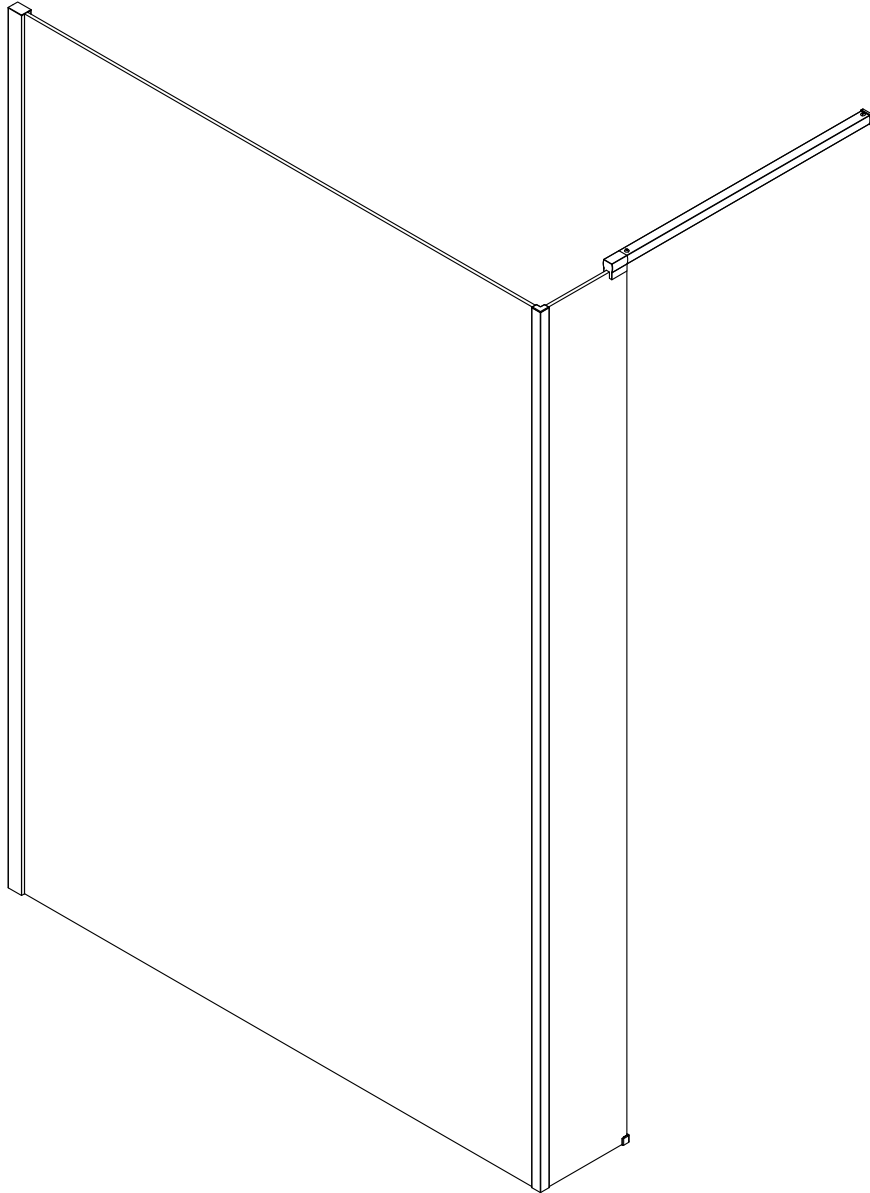
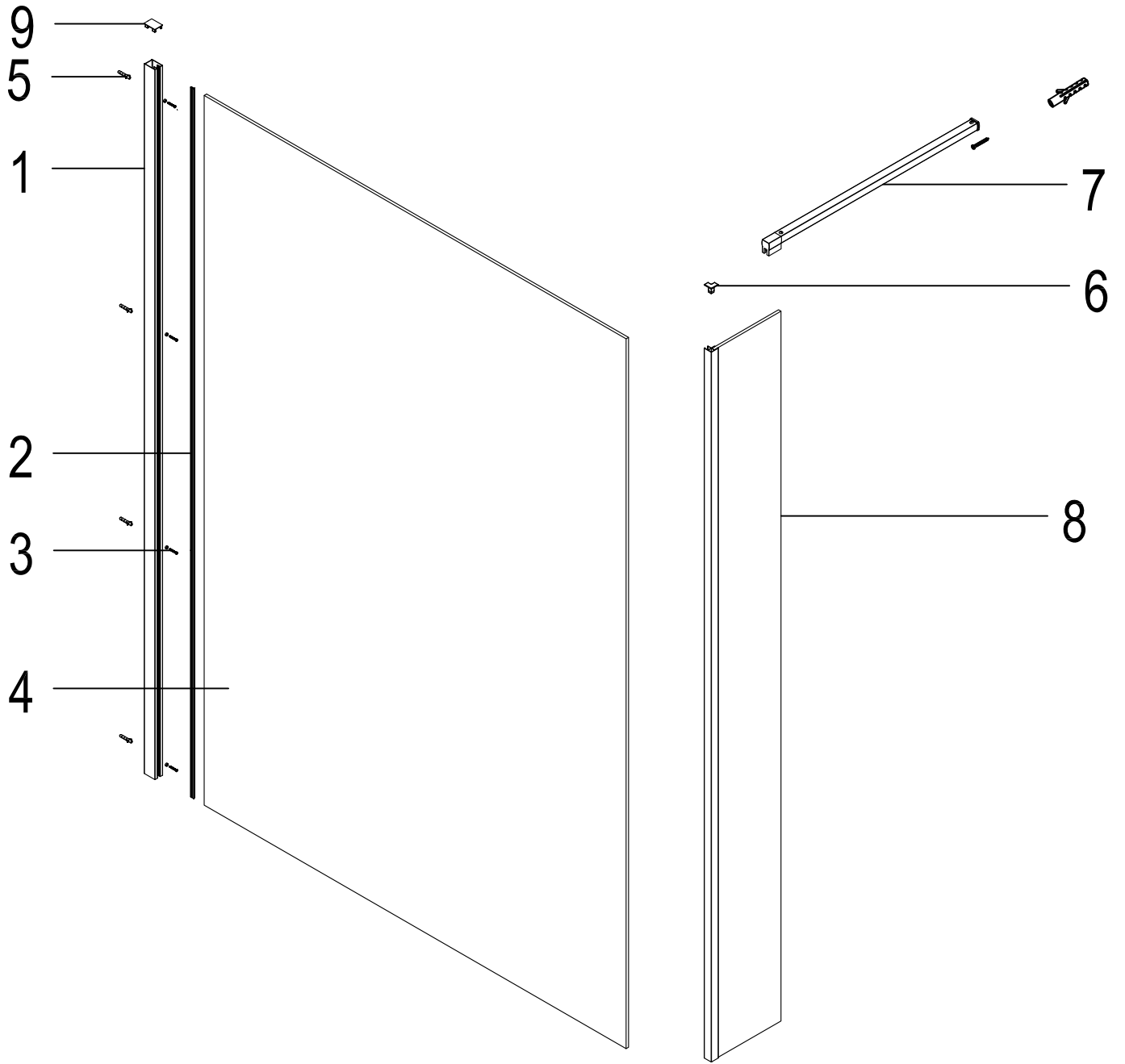
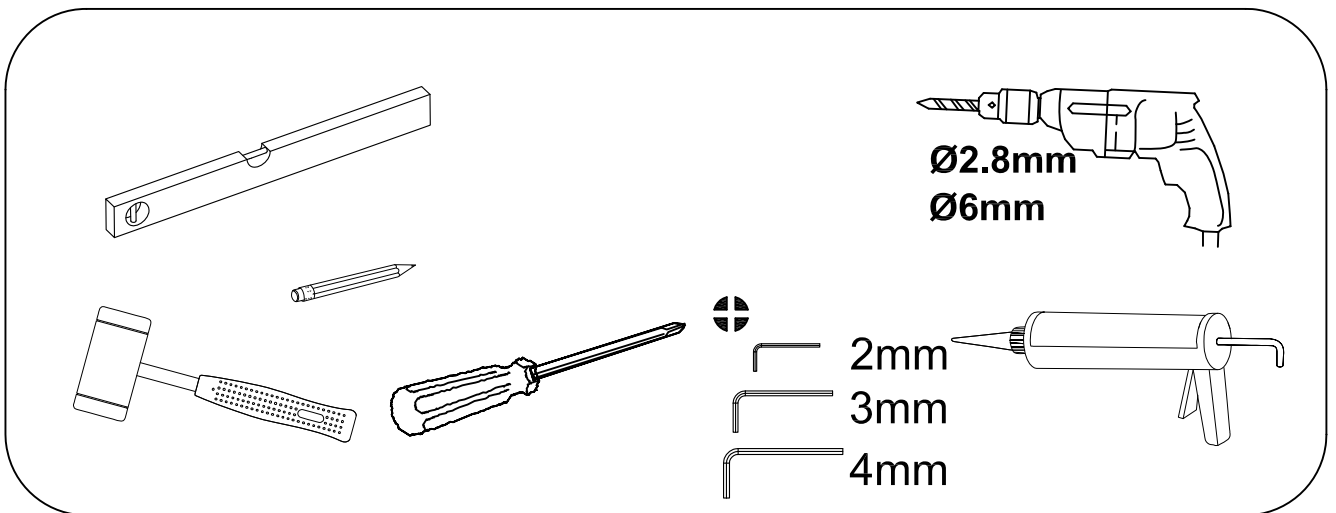
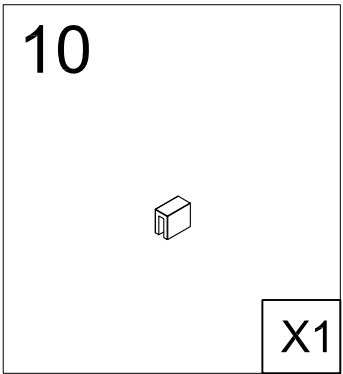
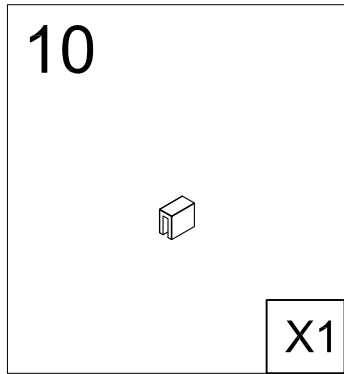
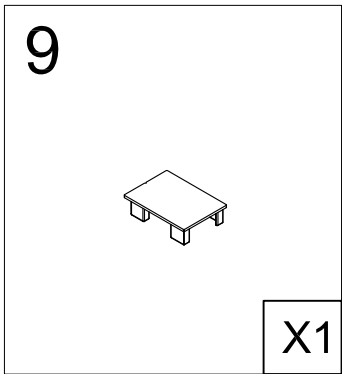
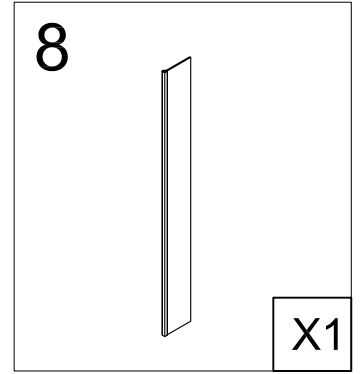
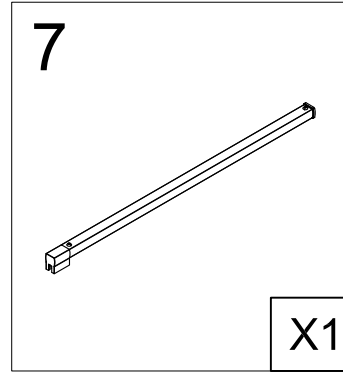
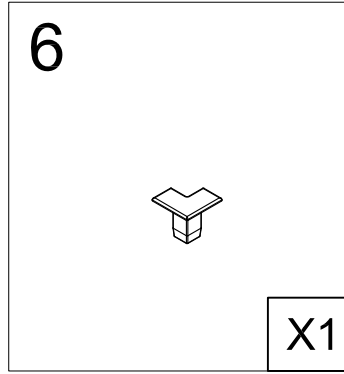
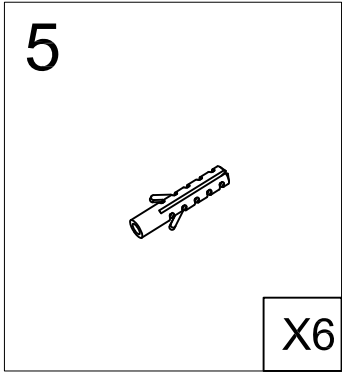
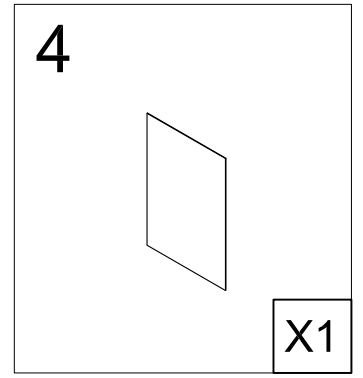
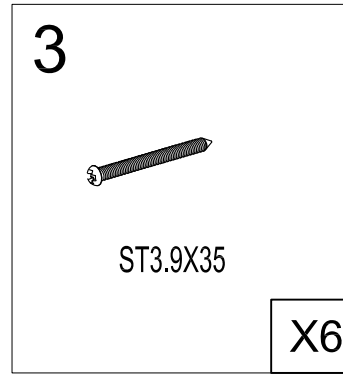
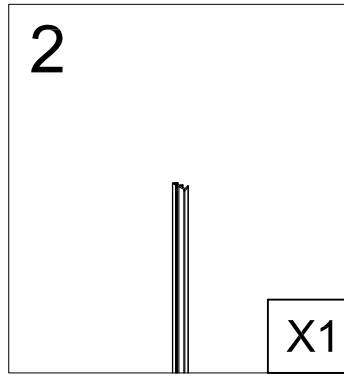
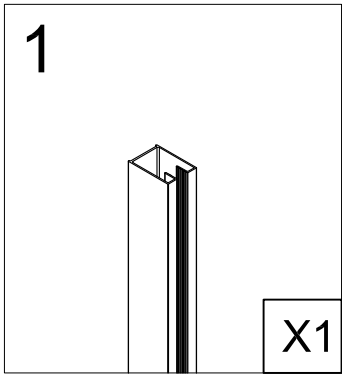
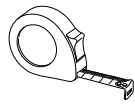
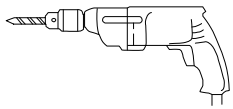
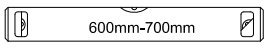


SESP8010 SESP89810
SESP1210

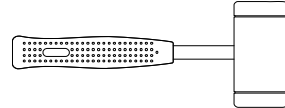
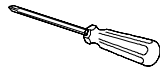






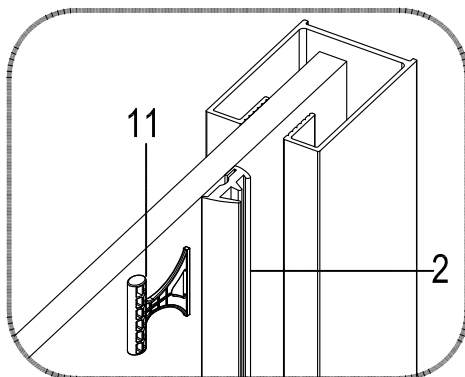
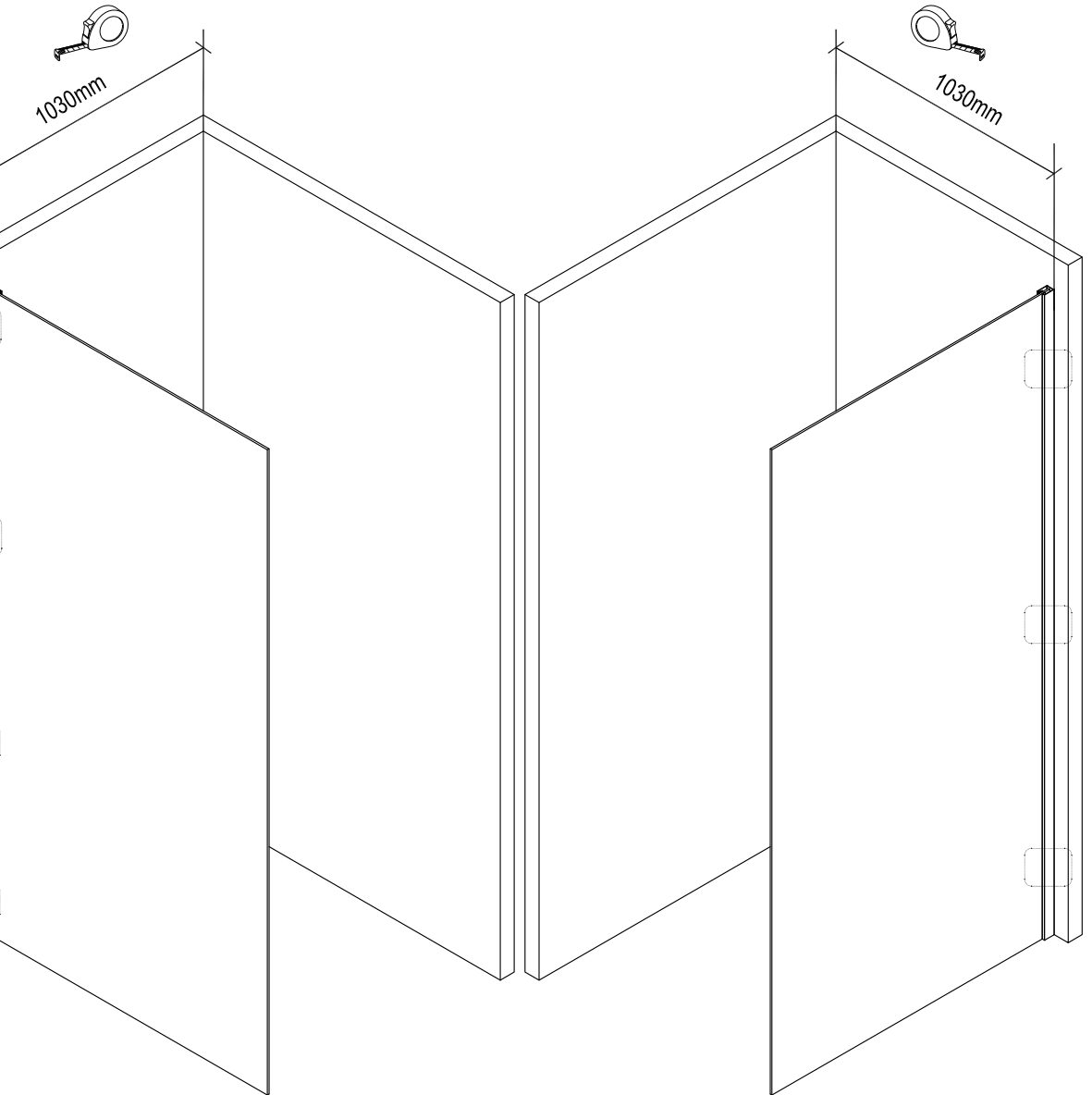
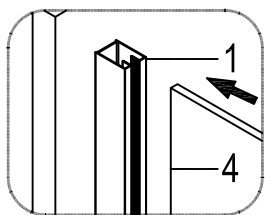
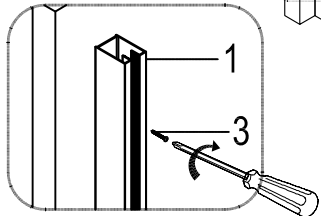
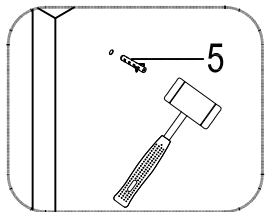
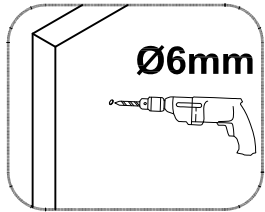
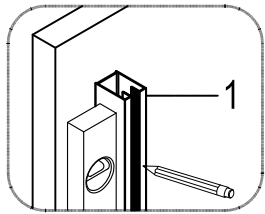
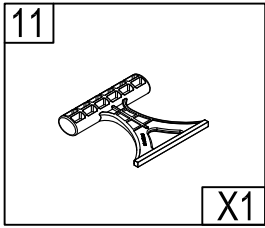
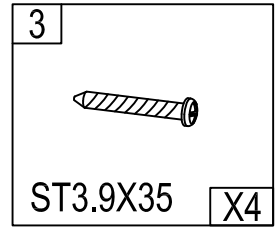
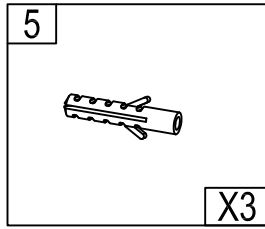
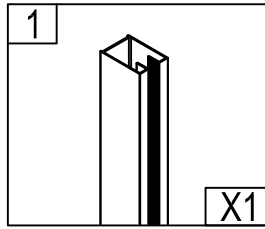
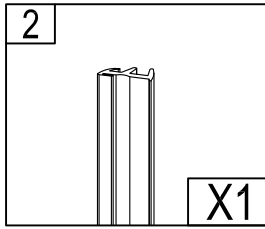
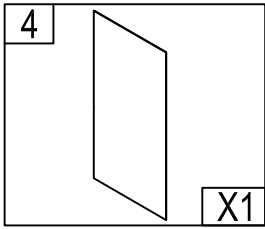


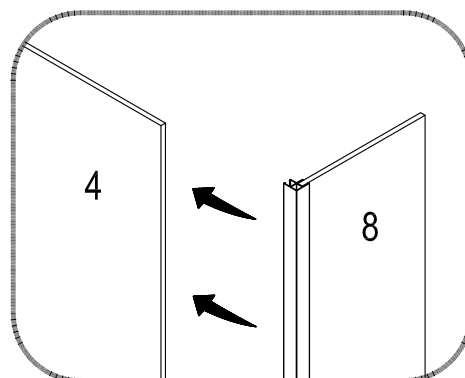
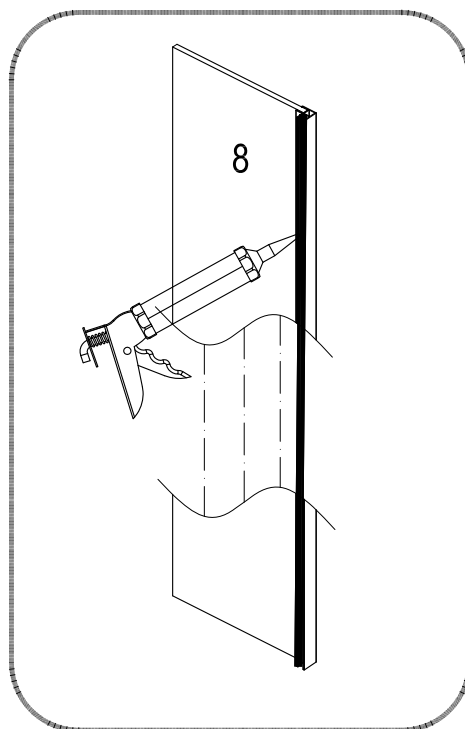
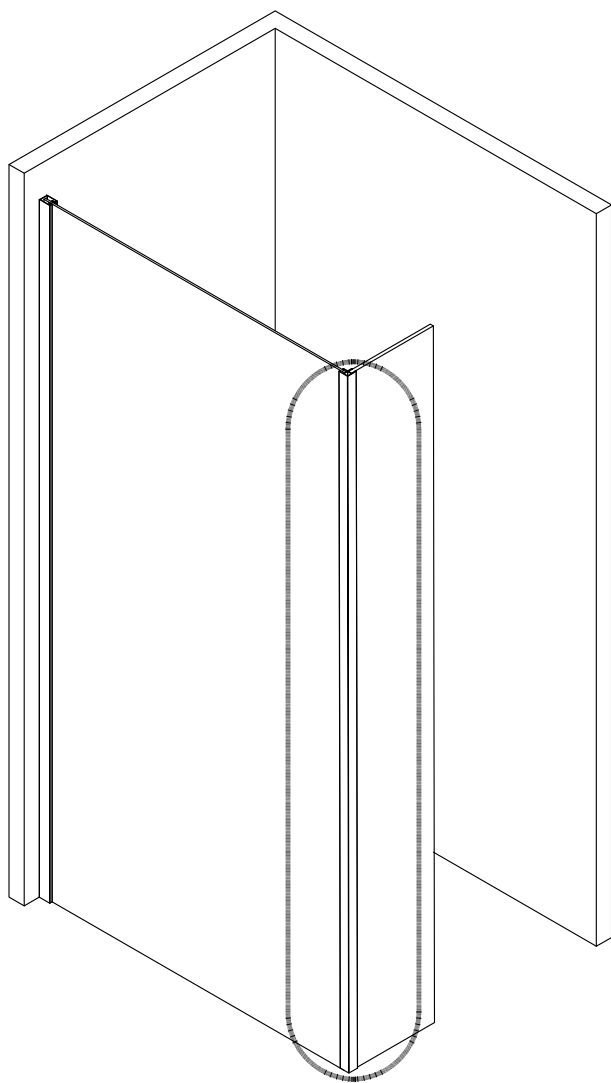
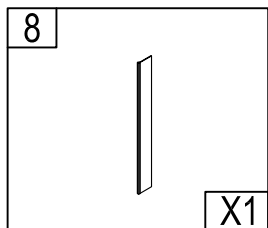
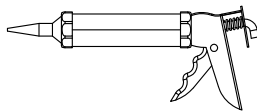
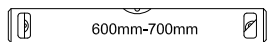
Ø6mm

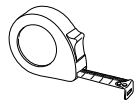
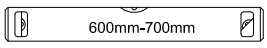


2mm

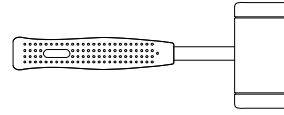
4mm



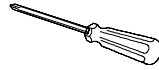
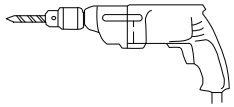




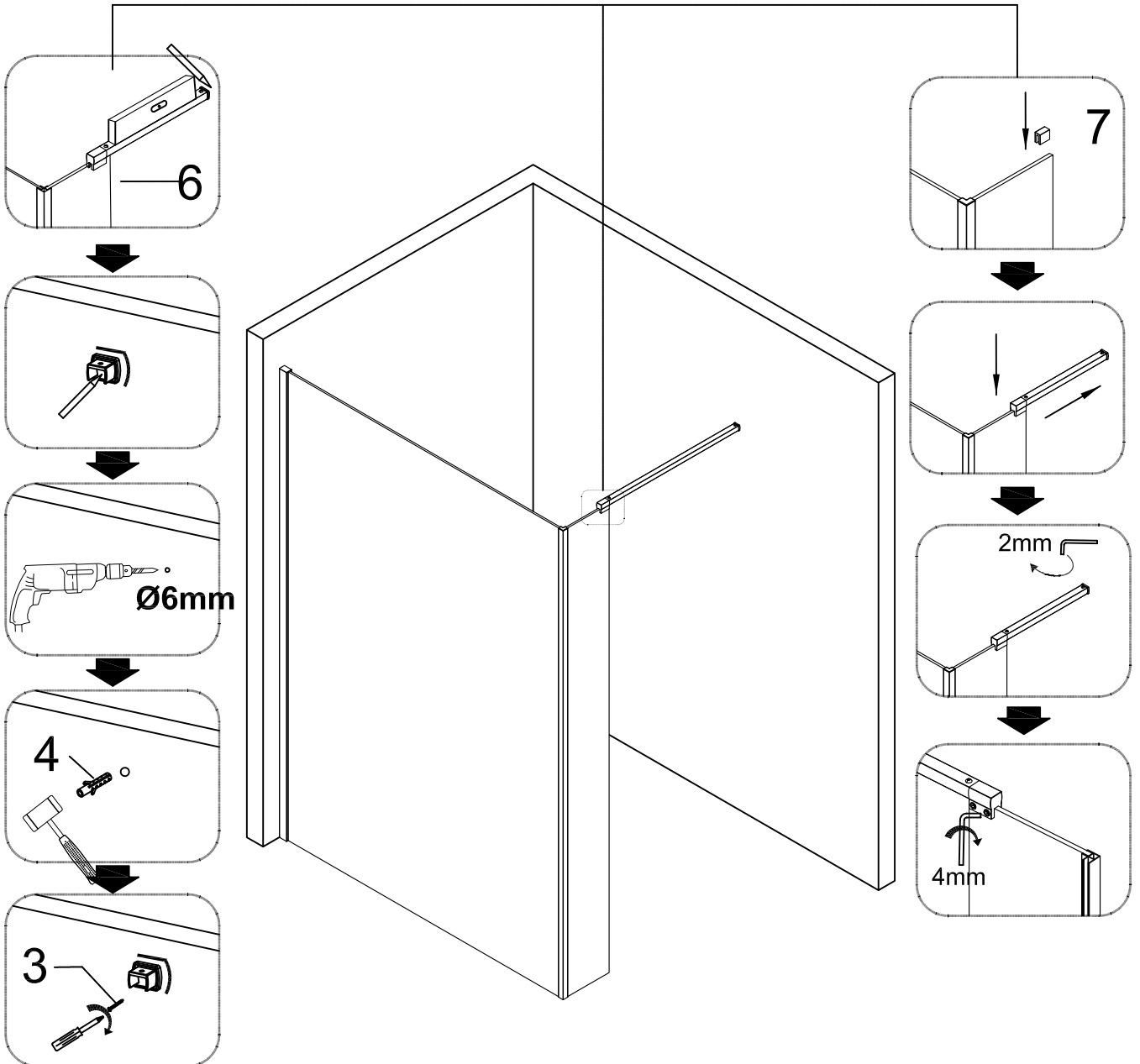
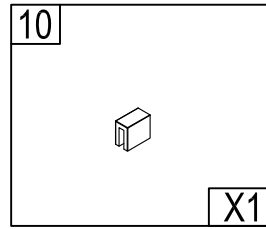
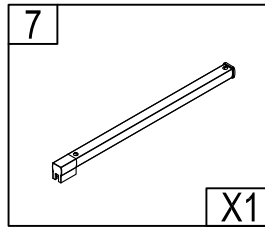
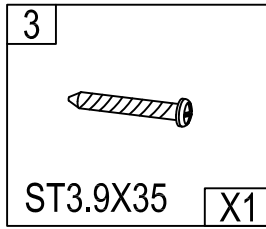
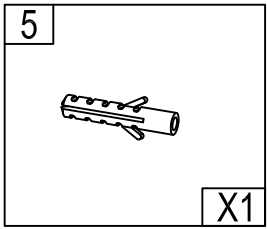
Ø6mm

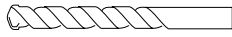
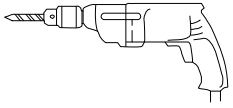


2mm



4mm





Ø6mm

