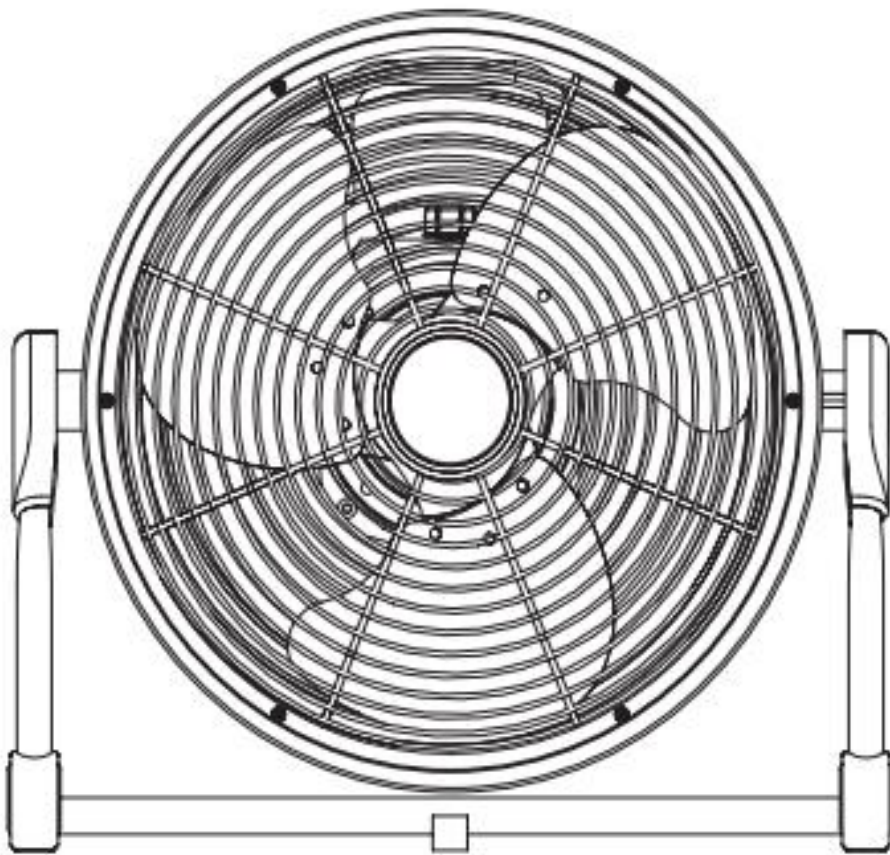


electriciQ

USER MANUAL



ORF12B **12" RECHARGEABLE FLOOR FAN**

Thank you for choosing electriciQ
Please read this user manual before using this air circulator and keep it safe for future reference.
Visit our page www.electriQ.co.uk for our entire range of Intelligent electricals

SETTLING IN OK?

We hope this has been helpful to you.

We would love to see how you're getting on with your new purchase, so please share any snaps you have on the platform of your choice below.

Our community awaits your uploads - Snap, tag and hashtag away!



@electriQUK
#electriQUK

WE'RE HERE TO HELP

Should you have any problems or questions with your purchase, please contact a member of our customer service team.

☎ 0330 390 3061

✉ support@electriQ.co.uk

Mon-Fri | 9am to 5pm

Unit J6, Lowfields Business Park,
Lowfields Way, Elland
West Yorkshire, HX5 9DA

SAFETY INSTRUCTIONS

Important!

- Carefully read the instructions before operating the unit
- This appliance is for indoor use only.
- Do not position the unit where it would be subjected to extreme moisture, temperature or dust.
- Do not use in bathrooms or other humid places.
- There are no user maintainable parts, do not attempt to disassemble or repair.
- Do not place the device near heat sources, or expose to direct sunlight.
- Rating: This unit must be only connected to a suitable power source for charging.
- Installation must be in accordance with regulations of the country where the unit is used.
- This fan has been tested and is safe to use. However, as with any electrical appliance - use it with care.
- Avoid touching any moving parts of the appliance.
- Never insert fingers, pencils or any other objects through the guard
- This appliance is not intended for use by persons (including children) with reduced physical, sensory or mental capabilities. It is also not intended for use by those with a lack of experience and knowledge, unless they have been given supervision or instruction concerning the use of the appliance by a person responsible for their safety. Do not leave children unsupervised with this appliance.
- Do not clean the unit by spraying it or immersing it in water.
- Never operate this appliance if the appliance is damaged.
- Any service other than regular cleaning should be performed by an authorized service representative. Failure to comply could result in a voided warranty.
- Do not operate the fan unassembled without protective grilles in position.
- Do not use the appliance for any other purposes than its intended use.
- Always place the unit on a dry and stable surface. Do not move or tilt the unit
- High Velocity fans are designed to create rapid air movement, therefore make sure the fan is not placed near curtains or any objects that may be drawn into the fan inlet.
- The appliance should not be installed in laundry or wet rooms.
- Do not use this unit in environments with flammable and explosive gases.
- Avoid keeping the unit in direct sunlight for a long period of time.
- Only charge using a power supply which meets the minimum.
- Do not cover or restrict the airflow. Do not use in dusty environment.
- Battery care and charging should only be undertaken by competent adult.
- If the battery shows any sign of damage such as leaking, bulging or excessive heat, stop using the product immediately and contact the supplier.
- The fan is supplied with a lithium battery installed. Care must be taken with the battery and charging to maintain its lifespan.
- Do not expose the fan or battery to naked flames or extreme heat.
- The battery must be removed if disposing of the product.
- The battery is to be disposed of safely.
Lithium batteries are considered dangerous goods. Check your countries laws on transportation and use.

FEATURES

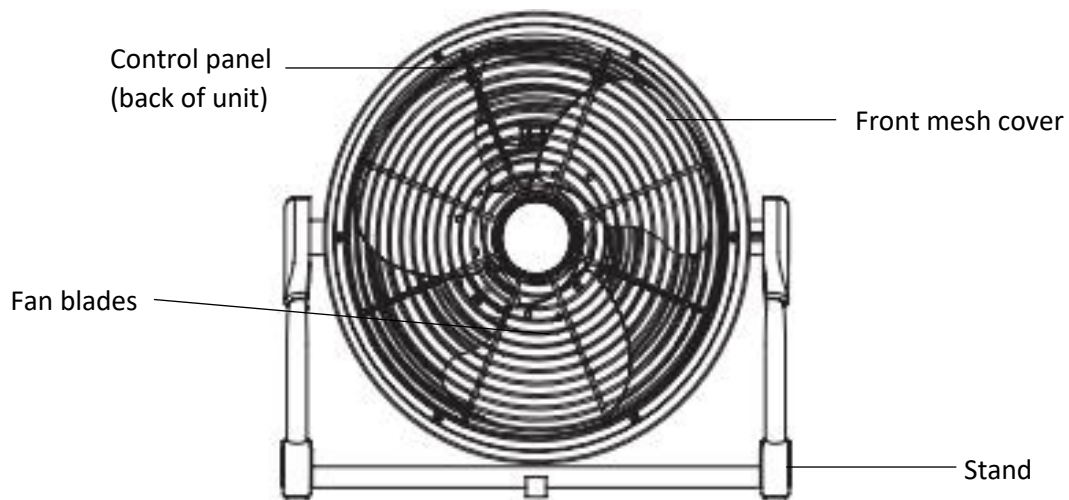
- Splash resistant at an IPX4 rating.
- LED battery indicator
- Rotary dial for easy speed adjustment
- Portable and easy to use

INSTALLATION

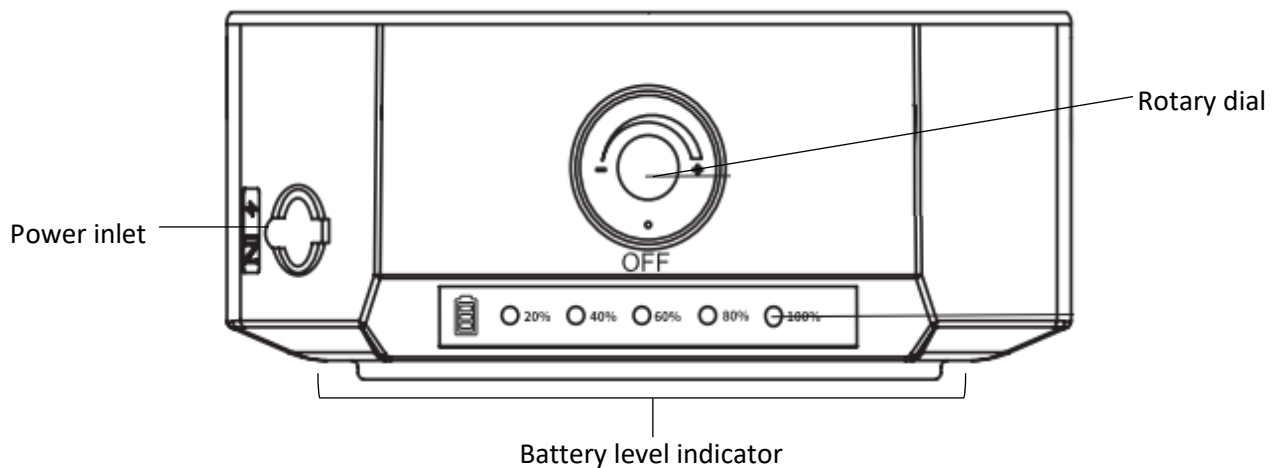
This unit can easily be moved from one room to another. While moving the unit please note that it must always be kept upright and then placed on an even surface.

- Remove any packaging - keeping the fan in a vertical position.
- Make sure all parts are present and unit is assembled correctly
- For charging, connect the power plug to a working socket, and then press the power button.

PRODUCT OVERVIEW



CONTROL PANEL



OPERATION

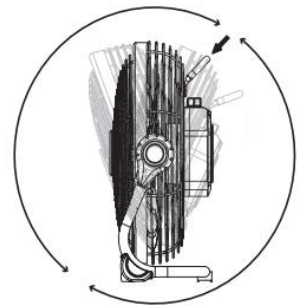
1. Set your fan on a level dry surface.
2. Ensure the appliance is fully charged by consulting the battery level indicator on the control panel.
3. Turn the rotary dial anti-clockwise from OFF to start the fan. The fan speed can be adjusted by using the rotary dial. Turn the dial to “+” to increase the fan speed. To lower the fan speed, turn the dial to “-”.
4. To turn the fan off, turn the rotary dial clockwise to OFF.

BATTERY LEVEL INDICATOR

- There are 5 LED indicators that display the appliances current battery level.
- When the fan is in use, the battery level will be displayed with these indicators. If the appliance is at full power, the indicators will not be illuminated.
- When the appliance is charging, the indicators will flash to indicate the current charge level.
- When the battery is below 20% power, the 20% indicator light will be red, and eventually all indicators will turn off until the unit is charged.

ADJUSTING THE FAN ANGLE

- Gently tilt the fan head up or down to the desired angle using the handle on the back of the appliance.
- Only adjust tilt when the fan is turned off. Adjusting tilt when the fan is operating may damage the tilt mechanism or cause injury.



MAINTENANCE

CLEANING AND STORAGE

ATTENTION: Please shut off the unit and unplug from the mains before cleaning or performing any maintenance.

CLEANING THE SURFACE

- Clean the grills with a duster or a soft wet cloth.
Do not use chemical solvents (such as benzene, alcohol or gasoline) as they may cause irreversible damage. Make sure no water enters the control panel or fan motor
- Do not run the unit until completely dry.
- Place the fan in its original box or cover the fan to protect it from dust.
- Store it in a cool dry place.

TROUBLESHOOTING

Do not repair or disassemble the unit by yourself, unauthorized repair attempts will invalidate the warranty and may cause bodily harm.

Issue	Possible Reason	Solution
No power	1. The battery is not charged. 2. The unit is not switched on.	1. Ensure the battery is charged using a suitable device 2. Switch the unit on using the switch on the base
Strong vibrations and noise	1. Fan is not used on a flat surface. 2. Fan may be damaged.	1. Place on a flat surface. May put an anti-vibration matt underneath 2. if fan is damaged discontinue use and contact service centre

If the above solutions do not resolve the problem please contact the service centre.

TECHNICAL DATA

Model	ORF12B
Fan Power	10 W
Blade size	12 inches
Rated Input	20 W
Running Current	1 A
Battery Capacity	2000 mAh (Lithium Ion)
Charging Input	27 V 1 A
Recharge time	1.5-2 hours
Air Volume	1450 m ³ /h
Noise (Max)	57 dB
Net Weight (assembled)	2.66 kg
Net Weight (without adaptor)	2.5 kg
IP Rating	IPX4

electriQ UK SUPPORT

www.electriQ.co.uk/support

Please, for your own convenience, make these simple checks before calling the service line.

If the unit still fails to operate call: 0330 390 3061 or complete the online form

1. Is the unit plugged into the mains?
2. Is the fuse OK?
3. Switch the unit off and wait three minutes to see if the issue is resolved. Restart the unit.

Office hours: 9AM - 5PM Monday to Friday

www.electriQ.co.uk

Unit J6, Lowfields Way

Elland, West Yorkshire

HX5 9DA

DISPOSAL



Recycling facilities are now available for all customers at which you can deposit your old electrical products. Customers will be able to take any old electrical equipment to participating civic amenity sites run by their local councils. Please remember that this equipment will be further handled during the recycling process, so please be considerate when depositing your equipment. Please contact the local council for details of your local household waste recycling center.