

Dishwasher

User manual

DW60M9550F*/DW60M9530F*



SAMSUNG

Contents

Safety information	4
What you need to know about safety instructions	4
Important safety symbols	4
Important safety precautions	5
Instructions when using your dishwasher	7
Instructions for protecting your children	9
Instructions for installing your dishwasher	10
Before you start	14
Dishwasher at a glance	14
Unsuitable items for the dishwasher	15
Water reflector	15
Basic use of racks	16
Detergent guidelines	20
Salt storage	23
Touchpad responsiveness	24
Built-in installation under the sink	25
Operations	32
Control panel	32
Cycle overview	35
Simple steps to start	36
Settings	37
Maintenance	41
Cleaning	41
Long-term care	44
Troubleshooting	45
Checkpoints	45
Information codes	48

Cycle chart	49
<hr/>	
Appendix	50
Transportation/relocation	50
Protection against frost	50
Disposing the dishwasher and helping the environment	50
Specifications	51
For standard test	52
14 place settings	52
Product fiche	53



Safety information

Congratulations on your new Samsung dishwasher. This manual contains important information on the installation, use and care of your appliance. Please take time to read this manual to take full advantage of your dishwasher's many benefits and features.

What you need to know about safety instructions

Please read this manual thoroughly to ensure that you know how to safely and efficiently operate the extensive features and functions of your new appliance and retain it at a safe place near the appliance for your future reference. Use this appliance only for its intended purpose as described in this user manual.

Warning and important safety instructions in this manual do not cover all possible conditions and situations that may occur. It is your responsibility to use common sense, caution, and care when installing, maintaining, and operating your dishwasher.

Because the following operating instructions cover various models, the characteristics of your dishwasher may differ slightly from those described in this manual and not all warning signs may be applicable. If you have any questions or concerns, contact your nearest service center or find help and information online at www.samsung.com.

Important safety symbols

What the icons and signs in this user manual mean:

WARNING

Hazards or unsafe practices that may result in **severe personal injury, death and/or property damage**.

CAUTION

Hazards or unsafe practices that may result in **personal injury and/or property damage**.

NOTE

Indicates that a risk of personal injury or material damage exists.

These warning symbols are here to prevent injury to you and others. Please follow them explicitly.

Keep these instructions in a safe place and ensure that new users are familiar with the content. Pass them on to any future owner.



Important safety precautions

To reduce the risk of fire, electric shock, or injury to persons when using your appliance, follow basic precautions, including the following:

1. This appliance is not to be used by persons (including children) with reduced physical, sensory or mental capabilities, or lack of experience and knowledge, unless they have been given supervision or instruction concerning use of the appliance by a person responsible for their safety.
2. **For use in Europe:** This appliance can be used by children aged from 8 years and above and persons with reduced physical, sensory or mental capabilities or lack of experience and knowledge if they have been given supervision or instruction concerning use of the appliance in a safe way and understand the hazards involved. Children shall not play with the appliance. Cleaning and user maintenance shall not be made by children without supervision.
3. Children should be supervised to ensure that they do not play with the appliance.
4. If the supply cord is damaged, it must be replaced by the manufacturer, its service agent or similarly qualified persons in order to avoid a hazard.
5. The new hose-sets supplied with the appliance are to be used and old hose-sets should not be reused.
6. For appliances with ventilation openings in the base, a carpet must not obstruct the openings.



Safety information

7. **For use in Europe:** Children of less than 3 years should be kept away unless continuously supervised.
8. **CAUTION:** In order to avoid a hazard due to inadvertent resetting of the thermal cut-out, this appliance must not be supplied through an external switching device, such as a timer, or connected to a circuit that is regularly switched on and off by the utility.
9. **WARNING:** Knives and other utensils with sharp points must be loaded in the basket with their points down or placed in a horizontal position.

This appliance is intended to be used in household and similar applications such as:

- staff kitchen areas in shops, offices and other working environments;
- farm houses;
- by clients in hotels, motels and other residential type environments;
- bed and breakfast type environments.



Instructions when using your dishwasher

This dishwasher is not designed for commercial use. It is intended for use in domestic households and in similar working and residential environments such as:

- Shops
- Offices and showrooms

and by residents in establishments such as:

- Hostels and guest houses.

It must only be used as a domestic appliance as specified in these user manual, for cleaning domestic crockery and cutlery. Any other usage is not supported by the manufacturer and could be dangerous.

The manufacturer cannot be held liable for damage resulting from incorrect or improper use or operation.

Do not use solvents in the dishwasher. Danger of explosion.

Do not inhale or ingest dishwasher detergent. Dishwasher detergents contain irritant or corrosive ingredients which can cause burning in the nose, mouth and throat if swallowed, or inhibit breathing. Consult a doctor immediately if detergent has been swallowed or inhaled.

Avoid leaving the door open unnecessarily, as you could trip over it.

Do not sit or lean on the opened door. This could cause the dishwasher to tip and be damaged, and you could get injured.



Safety information

Only use detergent and rinse aid formulated for domestic dishwashers. Do not use washing-up liquid.

Do not use the strong acid cleaning agent.

Do not fill the rinse aid reservoir with powder or liquid detergent. This will cause serious damage to the reservoir.

Inadvertently filling the salt reservoir with powder or liquid dishwasher detergent will damage the water softener. Make sure you have picked up the correct packet of dishwasher salt before filling the salt reservoir.

Please only use special coarse grained dishwasher salt for reactivation, as other salts may contain insoluble additives which can impair the functioning of the softener.

In an appliance with a cutlery basket (depending on model), cutlery is cleaned and dried more if placed in efficiently the basket with the handles downwards. However, to avoid the risk of injury, place knives and forks etc. with the handles upwards.

Plastic items which cannot withstand being washed in hot water, such as disposable plastic containers, or plastic cutlery and crockery should not be cleaned in the dishwasher. The high temperatures in the dishwasher may cause them to melt or lose shape.

On models with **Delay Start** function, make sure that the dispenser is dry before adding detergent. Wipe dry if necessary. Detergent will clog if poured into a damp dispenser and may not be thoroughly dispersed.

Knives and other utensils with sharp points must be loaded in the basket with their points down or placed in a horizontal position.



Instructions for protecting your children

This appliance is not a toy! To avoid the risk of injury, keep children well away and do not allow them to play in or around the dishwasher or to use the controls. They will not understand the potential dangers posed by it. They should be supervised whenever you are working in the kitchen. There is also a danger that children playing might shut themselves in the dishwasher.

This appliance can be used by children aged from 8 years and above and persons with reduced physical, sensory or mental capabilities or lack of experience and knowledge if they have been given supervision or instruction concerning use of the appliance in a safe way and understand the hazards involved. Children shall not play with the appliance. Cleaning and user maintenance shall not be made by children without supervision.

Older children may only use the dishwasher when its operation has been clearly explained to them and they are able to use it safely, recognising the dangers of misuse.

KEEP CHILDREN AWAY FROM DETERGENTS!

Dishwasher detergents contain irritant and corrosive ingredients which can cause burning in the mouth, nose and throat if swallowed, or inhibit breathing.

Keep children away from the dishwasher when the door is open. There could still be detergent residues in the cabinet.

Consult a doctor immediately if your child has swallowed or inhaled detergent.



Safety information

Instructions for installing your dishwasher

Before setting up the appliance, check it for any externally visible damage. Under no circumstances should you use a damaged appliance. A damaged appliance could be dangerous.

The dishwasher must only be plugged into the electricity supply via a suitable switched socket. The electrical socket must be easily accessible after the dishwasher is installed so that it can be disconnected from the electricity supply at any time. (Refer to the “Dishwasher at a glance” section on page 14.)

There must be no electrical sockets behind the dishwasher. Danger of overheating and fire risk if the dishwasher were to be pushed up against a plug.

The dishwasher must not be installed under a hob. The high radiant temperatures which are sometimes generated by a hob could damage the dishwasher. For the same reason it should not be installed next to open fires or other appliances which give off heat, such as heaters etc.

Do not connect the dishwasher to the mains supply until it has been fully installed and any adjustment has been made to the door springs.

Before connecting the appliance, check that the connection data on the data plate (voltage and connected load) match the mains electricity supply. If in any doubt, consult a qualified electrician.

The electrical safety of this appliance can only be guaranteed when continuity is complete between it and an effective grounding system. It is most important that this basic safety requirement is present and regularly tested and where there is any doubt the electrical system in the house should be checked by a qualified electrician.

The manufacturer cannot be held liable for the consequences of an inadequate grounding system (e.g. electric shock).



Do not connect the appliance to the mains electricity supply by a multi-socket unit or an extension lead. These do not guarantee the required safety of the appliance (e.g. danger of overheating).

This appliance may only be installed in mobile installations such as ships if a risk assessment of the installation has been carried out by a suitably qualified engineer.

The plastic housing of the water connection contains an electrical component. The housing must not be submerged in water.

There are electrical wires in the hose of Aqua-Stop. Never cut the water inlet hose, even if it is too long.

Installation, maintenance and repairs may only be carried out by a suitably qualified and competent person in strict accordance with current national and local safety regulations. Repairs and other work by unqualified persons can be dangerous. The manufacturer cannot be held liable for unauthorised work.

The integrated waterproof system offers protection from water damage, provided the following conditions are met:

- The dishwasher is correctly installed and plumbed in.
- The dishwasher is properly maintained and parts are replaced where it can be seen that this is necessary.
- The stopcock has been turned off when the appliance is not used for a longer period of time (e.g. during holidays).
- The waterproof system will work even if the appliance is switched off. However, the appliance must remain connected to the electricity supply.

A damaged appliance can be dangerous. If the dishwasher gets damaged, switch it off at the mains and call your dealer or the service department.

Unauthorised repairs could result in unforeseen dangers for the user, for which the manufacturer cannot accept liability. Repairs should only be undertaken by an approved service technician.

Faulty components must only be replaced by original spare parts. Only when these parts are fitted can the safety of the appliance can be guaranteed.



Safety information

Always disconnect the dishwasher from the electrical supply for maintenance work (switch off at the wall socket and remove the plug).

If the connection cable is damaged it must be replaced with a special cable, available from the manufacturer. For safety reasons, this must only be fitted by the service department or an authorised service technician.

In countries where there are areas which may be subject to infestation by cockroaches or other vermin, pay particular attention to keeping the appliance and its surroundings in a clean condition at all times. Any damage which may be caused by cockroaches or other vermin will not be covered by the guarantee.

In the event of a fault or for cleaning purposes, the appliance is only completely isolated from the electricity supply when:

- it is switched off at the wall socket and the plug is withdrawn, or
- it is switched off at the mains, or
- the mains fuse is disconnected, or
- the screw-out fuse is removed (in countries where this is applicable).

Do not make any alterations to the appliance, unless authorised to do so by the manufacturer.

Never open the casing/housing of the appliance. Tempering with electrical connections or components and mechanical parts is highly dangerous and can cause operational faults or electric shock.

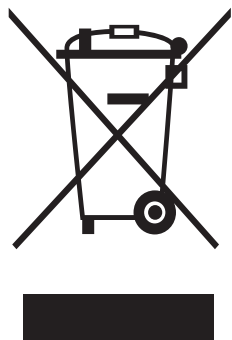
While the appliance is under guarantee, repairs should only be undertaken by a service technician authorised by the manufacturer. Otherwise the guarantee will be invalidated.

When installing the product, make sure there is space at the top, left, right and back of the product to ensure proper ventilation. If there is insufficient space between the product and the sink, it may damage the sink or allow mold to grow.

Make sure that your dishwasher's hardness level setting is correct as your area. (Refer to the "**Water softener**" section on page 38.)



Instructions about the WEEE



Correct Disposal of This Product (Waste Electrical & Electronic Equipment)

(Applicable in countries with separate collection systems)

This marking on the product, accessories or literature indicates that the product and its electronic accessories (e.g. charger, headset, USB cable) should not be disposed of with other household waste at the end of their working life. To prevent possible harm to the environment or human health from uncontrolled waste disposal, please separate these items from other types of waste and recycle them responsibly to promote the sustainable reuse of material resources.

Household users should contact either the retailer where they purchased this product, or their local government office, for details of where and how they can take these items for environmentally safe recycling.

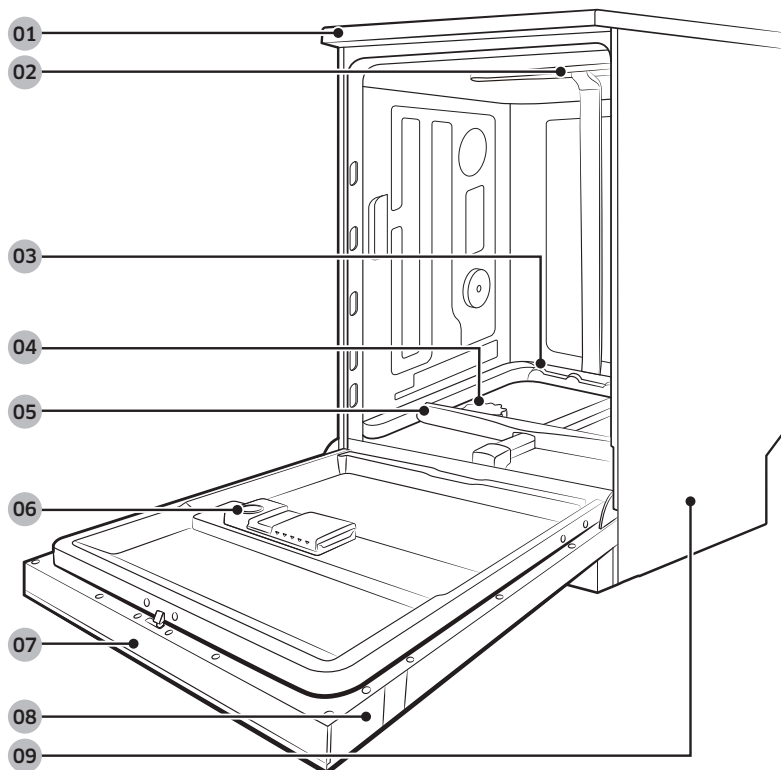
Business users should contact their supplier and check the terms and conditions of the purchase contract. This product and its electronic accessories should not be mixed with other commercial wastes for disposal.

For information on Samsung's environmental commitments and product specific regulatory obligations e.g. REACH visit: samsung.com/uk/aboutsamsung/samsungelectronics/corporatecitizenship/data_corner.html

Before you start

Follow these instructions carefully to ensure proper installation of the dishwasher and to prevent accidents when washing dishes.

Dishwasher at a glance



01 Cover top

02 Top nozzle

03 Lower nozzle

04 Salt storage

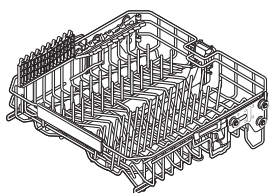
05 Water reflector

06 Dispenser

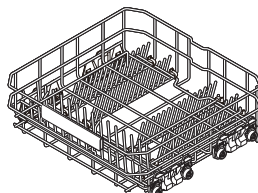
07 Control panel

08 Door

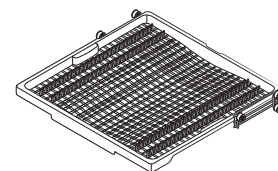
09 Base



Upper rack



Lower rack



Cutlery rack

* The design of the upper or lower rack may differ with the model.

⚠ CAUTION

- Do not wash items that are covered with ash, sand, wax, lubricating grease, or paint. These materials will damage the dishwasher. Ash does not dissolve and will spread inside the dishwasher.
- Remove food remains such as bones, fruit seeds, etc. and waste such as toothpicks, paper napkins, etc. from your dishes. Food remains and waste can make noise, cause the dishwasher to malfunction, and damage your dishes and dishwasher.

Unsuitable items for the dishwasher

⚠ WARNING

Wash only items such as glass, porcelain, and cutlery which the manufacturer declares as dishwasher safe. Do not wash aluminium (e.g. grease filters). The dishwasher may damage aluminium, or in extreme cases, cause a severe chemical reaction.

Do not wash the following items in the dishwasher.

- Copper, brass, tin, ivory, and aluminium items or items with adhesive
- Non-heat resistant plastics
- Craft items, antiques, valuable vases, and decorative glassware
- Pottery or glazed-ceramic items
- Wooden cutlery and crockery or items with wooden parts
- Delicate glassware or glassware containing lead crystal. Clouding may occur on the glassware after frequent washing.

📄 NOTE

Silverware that has contacted foods containing sulphur may become discoloured. Food with sulphuric content include egg yolks, onions, mayonnaise, mustard, fish, fish brine, and marinades.

Water reflector

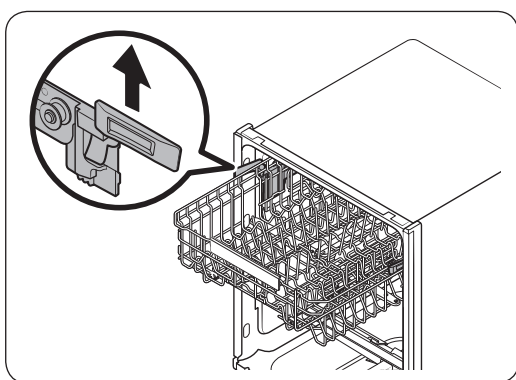
The water reflector automatically detects obstacles inside the dishwasher that can interfere with the reflector's signal. If an obstacle is detected, "0" blinks and the dishwasher chimes for several minutes. If this happens, remove the obstacle.

Before you start

Basic use of racks

Height adjustment

You can adjust the height of the upper rack so that the lower rack can accommodate larger sized dishes. Depending on the height of the upper rack, the lower rack can accommodate plates up to 31 cm in diameter, and the upper rack can accommodate plates up to 19 cm in diameter.



To raise the upper rack

Pull the upper rack upwards. The adjustable handle will latch, and the upper rack will raise.

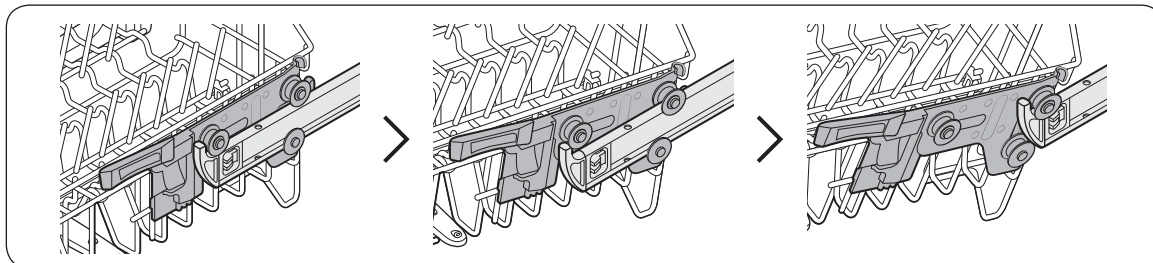
To lower the upper rack

Hold both the adjustable handles located at the left and right sides of the upper rack, and then evenly press down.

⚠ CAUTION

- Adjust the height of the upper rack before loading dishes into the rack. Adjusting the rack after loading the dishes may damage the dishes.
- Make sure to hold both handles when adjusting, or the dishwasher door may not close properly.

To remove the upper rack



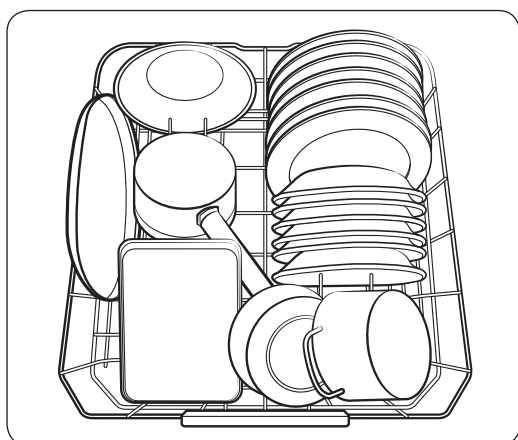
To remove the upper rack, pull the upper rack to the front until it is fully extended, and then lift it slightly to remove. See the figures above for the illustrated steps.

⚠ CAUTION

- Do not operate the dishwasher without the upper rack. Otherwise, noises occur and the dishwasher does not operate properly.
- Because the upper rack is removable, insert the upper rack properly to ensure the dishwasher operates normally.

Loading dishes

Into the lower rack

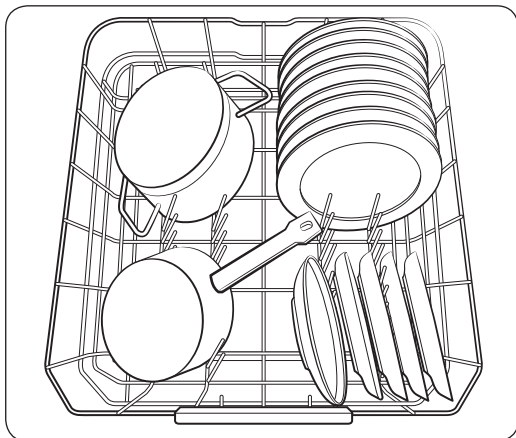


Load cookware (pots, pans, etc.) up to 31 cm in diameter into the lower rack. The lower rack is specially designed for dinner dishes, soup bowls, plates, pots, lids, and casserole dishes.

Load plates into the centre column of the rack so that the top of a plate faces the bottom of the next plate. Load large items such as pans and pots into the dishwasher so their inner cavities face downwards. We recommend loading cups, stemware, and small plates into the upper rack.

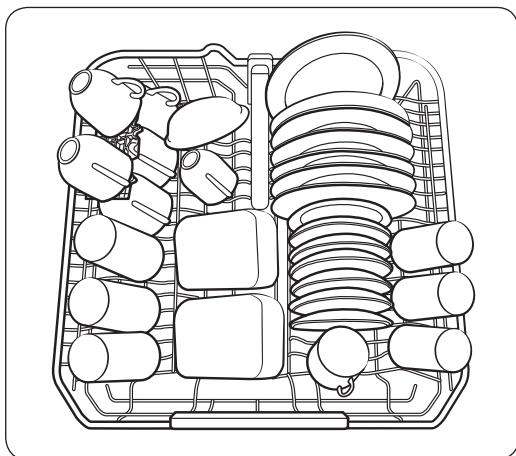
Before you start

Into the Zone Booster+ areas



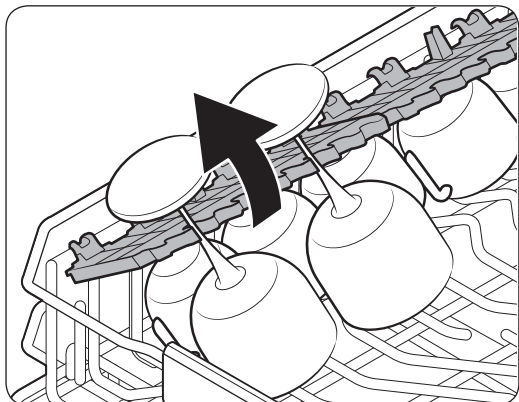
For more effective cleaning, load large items into the left side of the lower rack– the Zone Booster+ areas. The Zone Booster+ function supplies more powerful water jets to the Zone Booster+ areas. Make sure pot handles and other items do not interfere with the rotation of the nozzles and the water reflector.

Into the upper rack



The upper rack is for small plates, mugs, glasses, and plastic items. Make sure the loaded dishes do not interfere with the rotation of the nozzle which is located at the bottom of the upper rack. (Check this by rotating the nozzle by hand.) When loading dishes, pull the upper rack out so you can load it without striking the counter above.

Using the glass support

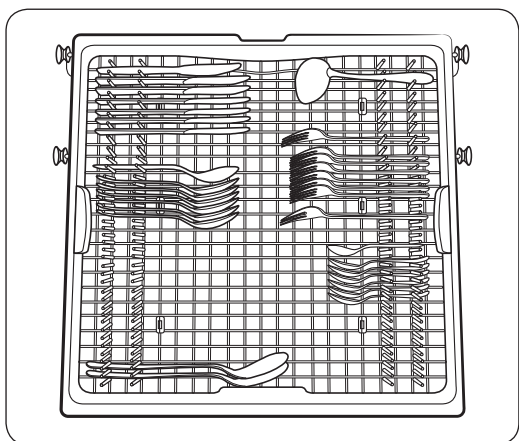


The glass support is especially suited for wine glasses. Hang wine glasses onto the pegs of the glass support. Fold the glass support back when it is not being used.

⚠ CAUTION

Do not adjust the level of the upper rack with the glass support propped up. This will make it impossible to adjust the upper rack.

Cutlery rack



Organize items as desired

- The cutlery rack is best for flatware and cooking or serving utensils. Use the cutlery rack to organize flatware or utensils.
- For best results, place heavily soiled items in the standard cutlery basket.

📄 NOTE

The cutlery rack can be removed if you need more space on the upper rack to clean larger items.

Before you start

Detergent guidelines

All dishwasher cycles require detergent in the detergent compartment. Apply detergent as appropriate for the selected cycle to ensure best performance.

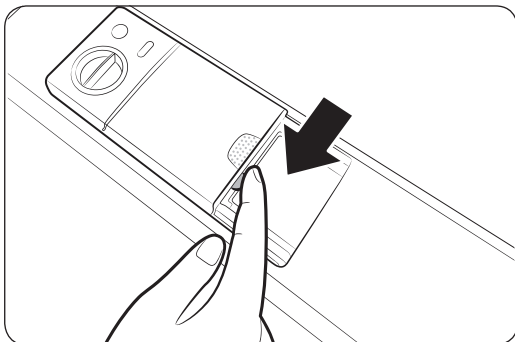
⚠ WARNING

- Do not consume dishwasher detergent. Avoid breathing in detergent fumes. Dishwasher detergent contains irritants and caustic chemicals that can induce respiratory conditions. If you have consumed dishwasher detergent or inhaled detergent fumes, seek medical attention immediately.
- Keep dishwasher detergent out of children's reach.

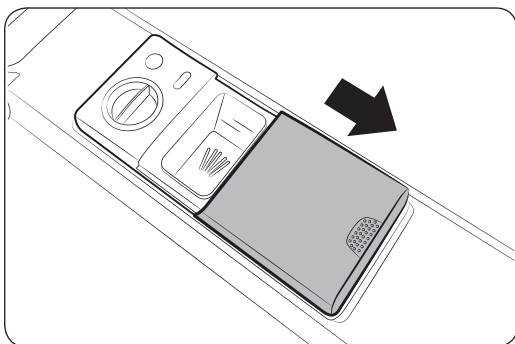
⚠ CAUTION

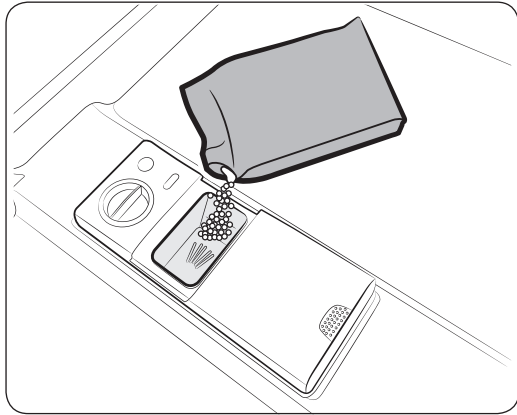
Use dishwasher detergent only. Other types of detergent produce excessive foam, which may decrease the dishwasher's performance or cause it to malfunction.

To fill the detergent dispenser



1. Gently press the dispenser flap to unlock, and then slide it open. Note that the dispenser flap opens at the end of each cycle.

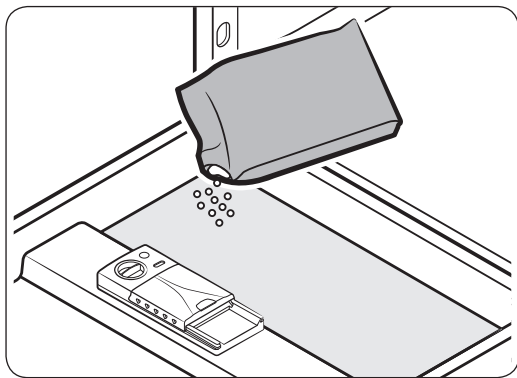
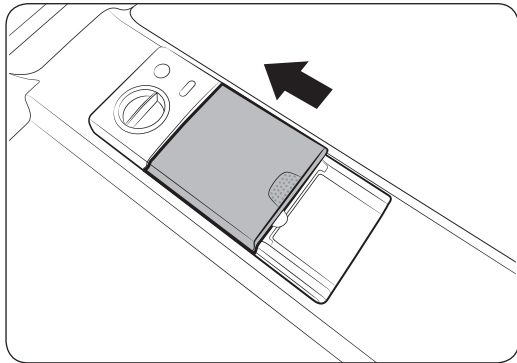




2. Apply the recommended amount of detergent to the main compartment.
3. Close the flap, and then press down to lock.

NOTE

This dishwasher has no separate compartment for tablet detergent.



4. For best results, apply a small amount (about 8 g) of detergent onto the door. The additional detergent will activate during the pre-wash process.

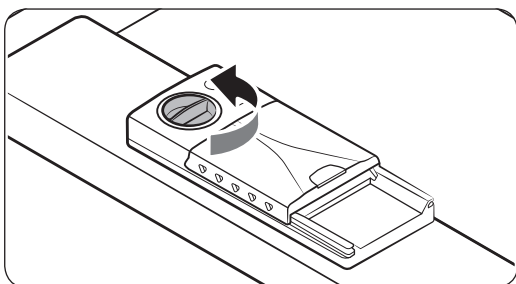
Before you start

Rinse aid

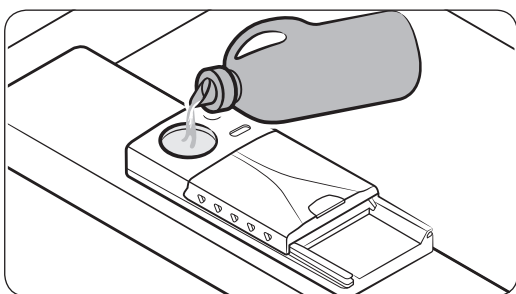
Rinse aid improves the drying performance of the dishwasher. When the Rinse Refill indicator lights up on the control panel, refill with rinse aid. Only use liquid rinse aid. Powdered rinse aid will clog the compartment opening and cause the dishwasher to malfunction.

⚠ CAUTION

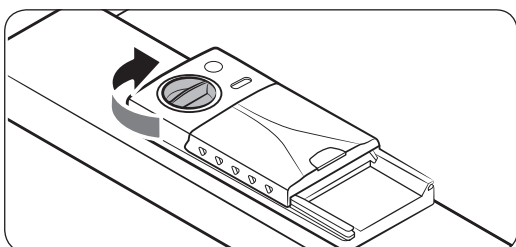
- Do not apply any type of detergent to the rinse aid compartment.
- Do not excessively fill the compartment. Excessive rinse aid may overflow during a cycle.



1. Turn the cap counter clockwise to remove.



2. Fill the compartment with rinse aid as specified by the rinse aid manufacturer.

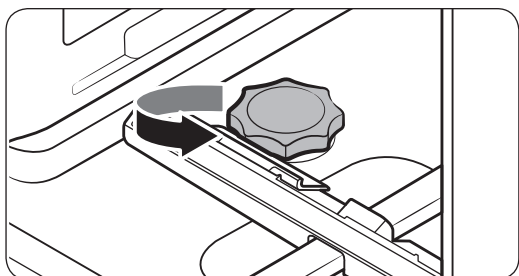


3. Turn the rinse aid dial to select a rinse aid level between 1 and 6.
 - The higher the number, the more rinse aid the dishwasher uses.
 - To improve the drying performance, select a higher level.
 - If there is discoloring on the dishes, switch to a lower level.
4. Turn the cap clockwise to close.

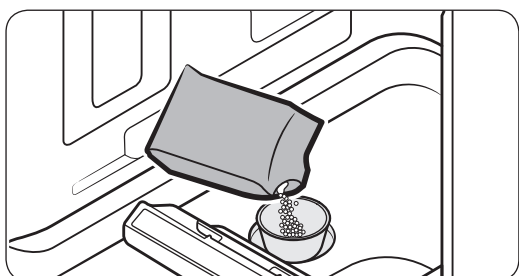
Salt storage

⚠ CAUTION

- Use dishwasher-specific salt only. Do not use any other type of salt or solvent. This may damage the salt storage and the water softening system.
- To prevent corrosion due to an excessive amount of salt or salty water, always fill the salt storage immediately before a washing cycle gets started.



1. Open the door.
2. Turn the cap counter clockwise to open.



3. Fill the salt storage with water (only required when using the dishwasher for the first time).
4. Apply dishwasher salt.

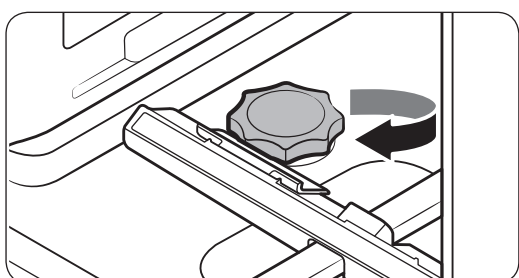
⚠ CAUTION

- The maximum capacity is about 1 kg. Do not exceed the capacity.
- Exceeding the capacity may affect the dishwasher performance.

5. Turn the cap clockwise to close.

📄 NOTE

- To clean salt or salt water from dishwasher, run the Quick cycle.
- Depending on the size of the salt grains, it may take a while for the salt to dissolve and the indicator (⚡) to turn off.



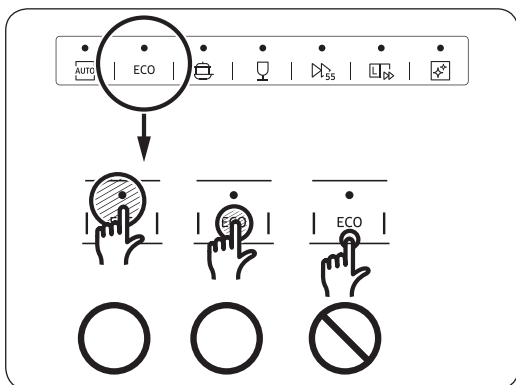
Salt indicator

The indicator (⚡) turns on if there is not enough salt for the next several cycles.

Before you start

Touchpad responsiveness

To prevent the touch-enabled controls from losing responsiveness, follow these instructions.



- Touch the centre of each button with one finger.
- Do not touch more than one button at a time, except as directed.
- Clean the surface of the control panel regularly with a soft, damp cloth.

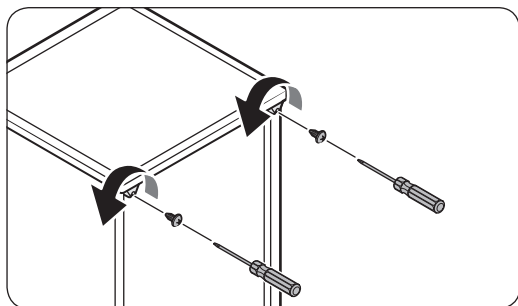
Built-in installation under the sink

You can install the dishwasher under the sink. To do this, follow the instructions below.

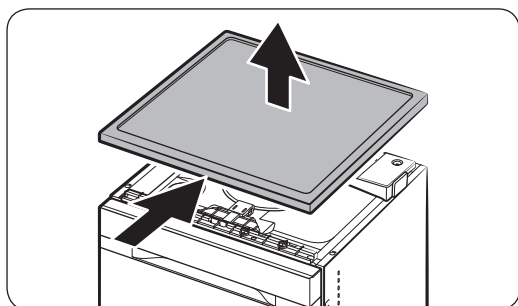
WARNING

Samsung Electronics is not responsible for any product failure or damage that may arise from your installation of the free-standing model under the sink.

Preparation

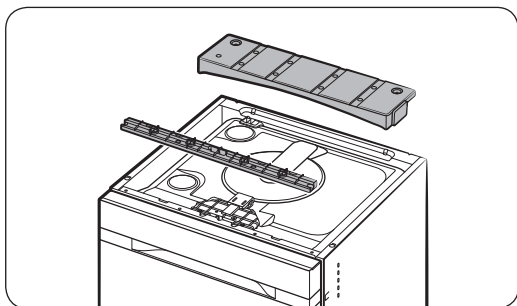
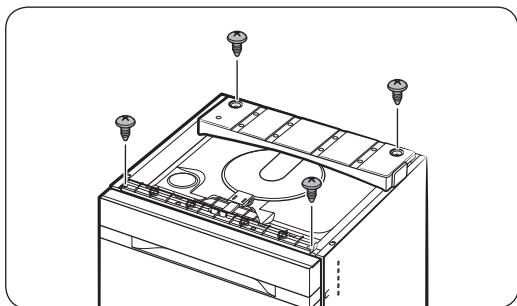


1. Remove the 2 screws from the top corners on the rear side of the dishwasher.



2. Slide the worktop of the dishwasher to the rear and lift up to remove it.
3. Refer to the next section and install the dishwasher under the sink.

Before you start



4. If necessary, remove both the plastic part and the weight balance on the rear side. To do this, remove the marked screws in the left-sided figure.

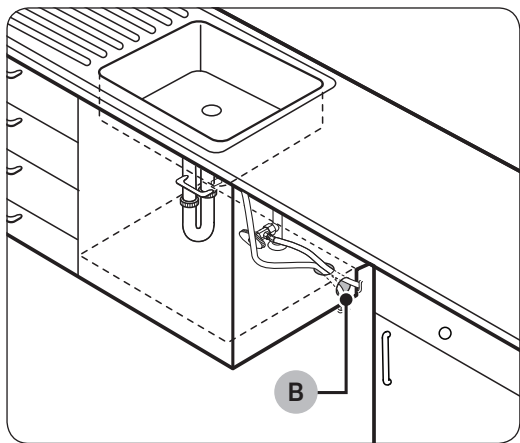
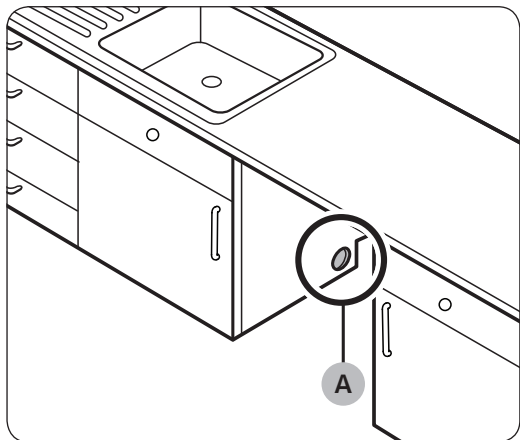
CAUTION

- The weight balance on the rear is heavy. Use caution to remove it.
- Make sure to fasten the upper trim of the dishwasher that is revealed after disposing both the plastic part and the weight balance.

Installation

The installation procedure may differ depending on the model.

STEP 1 Select a location



Select a location that meets the following conditions.

- The location must have a solid floor that can support the weight of the dishwasher.
- The location must be near a sink with easy access to the water supply, drain system, and electrical outlet.
- The location must let you load dishes into the dishwasher easily.
- The location must have sufficient space for the dishwasher door to open easily and provide enough space between the dishwasher and the cabinet sides (at least 2 mm).
- The rear wall must be free of obstructions.

Installation in a new location

If you install the dishwasher in a new location, follow these instructions before installing the dishwasher.

1. Using a hole saw, cut a hole into the side of the cabinet that holds the sink (A).
2. If the base inside the sink cabinet is raised above the kitchen floor and is higher than the connections on the dishwasher, make a hole in the base inside the cabinet and in the cabinet side (B).

NOTE

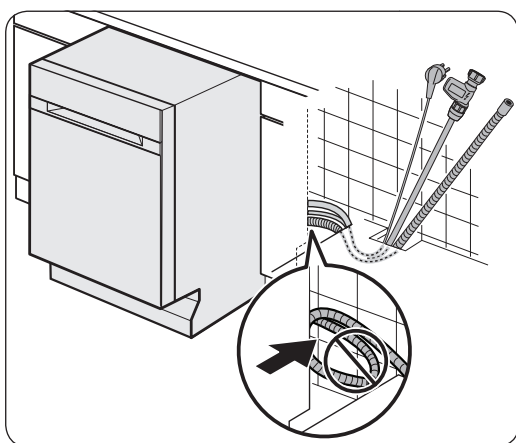
- If you are replacing an old dishwasher, check the existing connections for compatibility with the new dishwasher and replace the connections as needed.
- You may need to cut a hole in the opposite side of the cabinet according to the location of the electrical outlet.

Before you start

STEP 2 Check the water line

- The water line pressure must be between 0.05 and 0.8 MPa.
- Make sure that the water temperature does not exceed 60 °C. Hot water over 60 °C may cause the dishwasher to malfunction.
- Make sure that the water supply valve is turned off before connecting the water supply line to the dishwasher.

STEP 3 Arrange the hoses



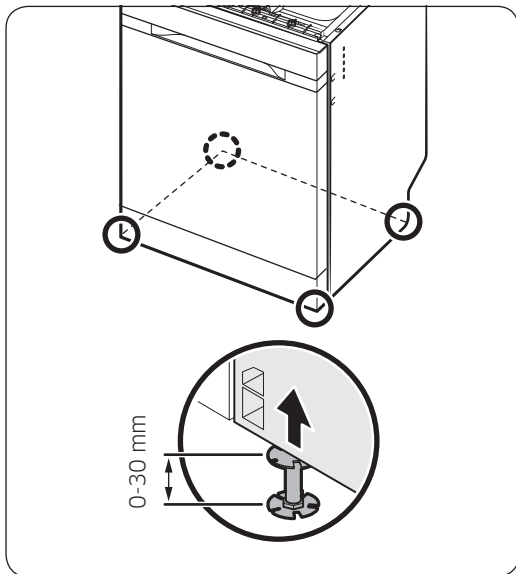
1. Arrange the power plug, the water hose, and the drain hose.
2. Pull them through the sink hole.

⚠ CAUTION

Use caution not to kink or step on the power plug or the hoses.

STEP 4 Level the dishwasher

You can adjust the height of the dishwasher up to 30 mm using the levelling legs.



1. While slightly lifting the front or rear (or both in turns) of the dishwasher, turn the levelling legs to adjust the height.
2. When complete, use the leveler to make sure the dishwasher is level.
3. Insert the dishwasher under the sink and make sure to secure at least 4 mm space between the top of the dishwasher and the bottom of the sink plate.

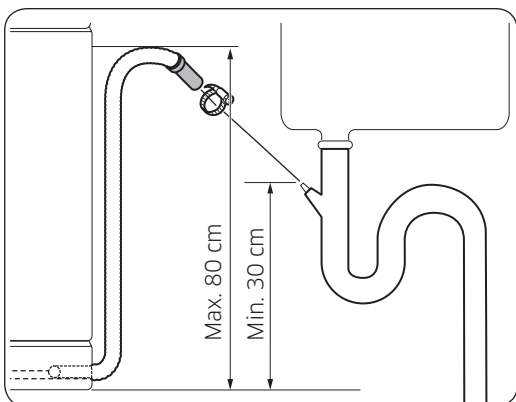
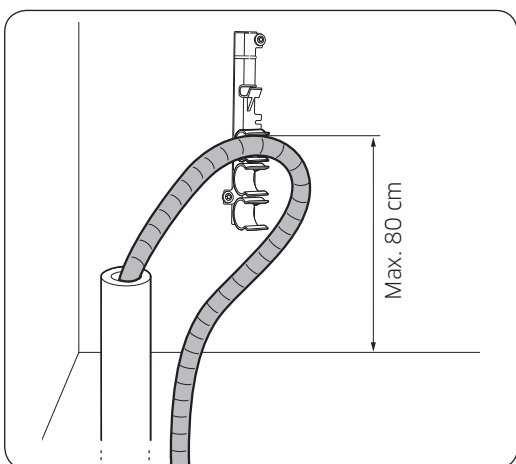
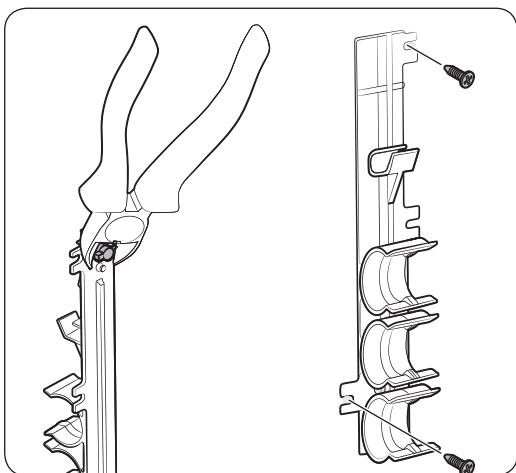
CAUTION

Do not arrange the power cable of the dishwasher using a metallic cable tie.

Before you start

STEP 5 Connect the drain hose

Before you start



1. Detach the hose holder from the dishwasher, and then cut off the protruding part from the holder as shown.
2. Fix the holder to a wall by tightening the 2 screws ($\text{Ø}4 \times 12$).

3. Insert the drain hose into the holder so that the drain hose is positioned 30 cm to 80 cm from the bottom.

4. Connect the drain hose to the drain outlet.

⚠ CAUTION

- Install the drain system properly so that the drain hose does not come out of the drain outlet in the draining process.
- Make sure that the drain hose, supply hose, and power cord is not kinked or folded.

STEP 6 Final check

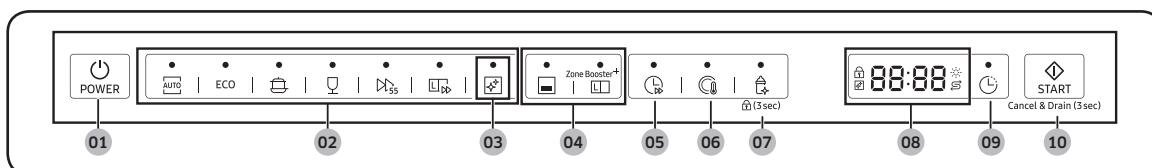
1. Remove all foam, paper packaging, and unnecessary parts from inside the dishwasher.
2. Turn the circuit breaker on.
3. Open the water supply valve to supply water to the dishwasher.
4. Plug in and turn the dishwasher on. Then, select and run the Quick cycle.
5. Check if the dishwasher turns on normally and if there are any water leaks while the dishwasher is operating. Make sure to check for water leaks on both ends of the water line and the drain hose connector.

Before you start

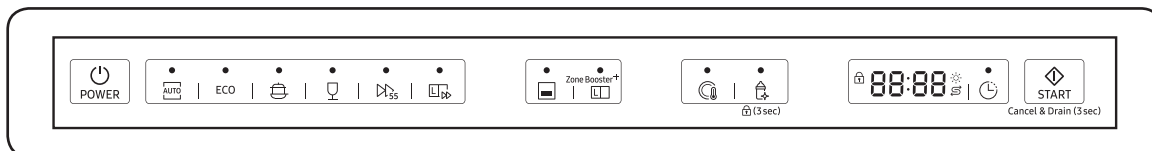
Operations

Control panel

DW60M9550**



DW60M9530**

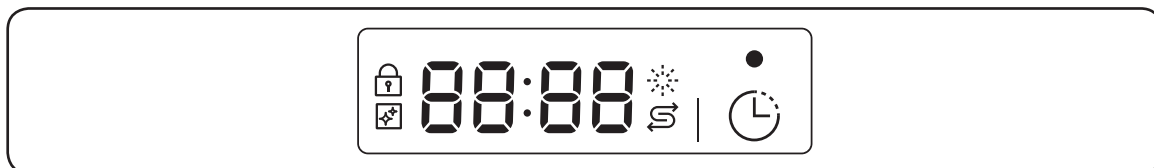




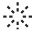

<p>01 POWER</p>	<p>Press to turn the dishwasher on or off. When a cycle is complete, all other indicators turn off with “0” on the display. Then, the dishwasher turns off automatically.</p>
<p>02 Cycle bar</p>	<p>Press to select a cycle according to the soil level of your dishes. The corresponding cycle indicator turns on. The default cycle is ECO.</p>
<p>03 Self Clean (applicable models only)</p>	<p>Select this cycle to clean the inside of the dishwasher. Make sure the dishwasher is empty.</p>
<p>04 Lower Rack (with Zone Booster+)</p>	<p>If selected, only the lower rack nozzle is activated to reduce both the cycle time and power consumption. Use this cycle to wash a small load of dishes or glasses in the lower rack. To wash heavily soiled items, select the Zone Booster+ option.</p> <p>Zone Booster+: Use Zone Booster+ to improve the cleaning performance. A powerful jet is activated and directed at items in the left side of the lower rack. This option can increase power consumption slightly.</p> <p>⚠ CAUTION Make sure pot handles and other items do not interfere with the rotation of the nozzles and the water reflector.</p>
<p>05 Speed Booster (applicable models only)</p>	<p>Select this option to reduce the cycle time. This is available only with the Auto, ECO, Intensive, and Delicate cycles.</p>

06 Hi-Temp Wash	Select this option to increase the main-wash temperature to improve the cleaning performance for loads containing stubborn, baked-on food. This is available only with the Auto, ECO, and Intensive cycles.
07 Sanitize (Control Lock)	<p>With this selected, the water temperature increases to 73 °C in the final rinse for high temperature sanitization.</p> <ul style="list-style-type: none"> • Available with the Auto, ECO, Intensive, and Self Clean. • Unavailable with the Delicate, Daily55', and Quick cycles. <p>Control Lock: Control Lock allows you to lock the buttons on the control panel except for the POWER button. For more information, see the Control Lock section on page 40.</p>
08 Display	Displays information of the current cycle including the cycle time, remaining time, Delay Start settings, and other cycle-specific information.
09 Delay Start	You can delay the cycle starting time up to 24 hours. For more information, see the Delay Start section on page 40.
10 START (Cancel & Drain)	<p>Press START to start operation. Make sure the door is closed.</p> <p>Cancel & Drain: To cancel the current cycle and drain the dishwasher, press and hold START for 3 seconds.</p>

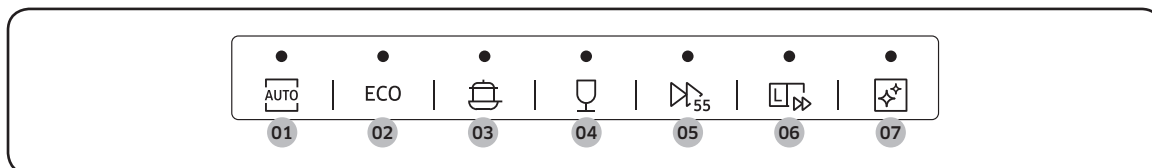
Operations

Indicators



Control Lock indicator		Lights up if Control Lock is activated, and blinks if any button except for the POWER button is pressed.
Self Clean indicator (applicable models only)		Lights up if Self Clean is activated, and blinks for 5 seconds every 20-22 cycles. The cycle counter disappears when the Self Clean cycle is complete, or the dishwasher reaches the 23 rd cycle.
Rinse Refill indicator		Lights up if the dishwasher runs out of rinse aid.
No Salt indicator (applicable models only)		Lights up when the water softener runs out of salt.

Cycle overview



01 Auto	This cycle detects the level of soil and automatically initiates the optimal cycle, which is appropriate for all levels of soiled items.
02 ECO	This cycle reduces power and water consumption, which is appropriate for normally soiled items. To reduce the cycle time, select the Speed Booster option.
03 Intensive	Select this cycle for heavily soiled items.
04 Delicate	Select this cycle for lightly soiled, fragile items such as glasses. With this selected, the Zone Booster+, Hi-Temp Wash, and Sanitize options will be disabled.
05 Daily55'	This cycle finishes cleaning and drying within 55 minutes and is appropriate for daily soiled items. With this selected, the Speed Booster, Zone Booster+, Hi-Temp Wash, and Sanitize options will be disabled.
06 Quick	Select this cycle to clean lightly soiled items in a short time. With this selected, the Speed Booster, Zone Booster+, Hi-Temp Wash, and Sanitize options will be disabled.
07 Self Clean (applicable model only)	Use this cycle to clean the inside of the dishwasher using detergent. Make sure the dishwasher is empty. If the dishwasher needs self cleaning, the Self Clean indicator blinks for 5 seconds after the dishwasher turns on. If you start the dishwasher when the indicator is blinking, the indicator will turn off automatically. ⚠ CAUTION Do not use this cycle to clean dishes.

Operations

Simple steps to start

1. Open the door, and then load the dishwasher. Make sure dishes are empty.
2. If applicable, put the dishes in the lower rack. If adding the Zone Booster+ option, put the dishes in the left side of the lower rack.
3. Apply detergent to the detergent dispenser. For better results, add rinse aids.
4. Press **POWER**, and then select a cycle with necessary options (Lower Rack, Zone Booster+, Speed Booster, Hi-Temp Wash, Sanitize). Availability of cycles depends on the model.
5. Press **START**, and then close the door. The dishwasher starts the cycle after draining for a few seconds.

NOTE

- To change the cycle after it has started, press and hold **START** for 3 seconds to cancel the cycle. Then, select a new cycle.
- The default cycle is ECO.
- To resume after you have opened the door to stop the dishwasher while operating, simply close the door.

Settings

You can change the sound settings or display brightness to your preference. To change the settings, press the **Sanitize** and **Delay Start** buttons simultaneously for 3 seconds. Press **Sanitize** to navigate through sub menus, and press **Delay Start** to confirm your changes.

Sound
U1/U0

>

Brightness*
b0-b5

>

Water softener
L0-L5

>

Auto Door
A1/A0

* applicable models only

Sound

Press **Sanitize** until 'U1' or 'U0' is displayed. To mute the dishwasher, select 'U0', and then press **Delay Start**. To unmute, select 'U1', and then press **Delay Start**.

Display brightness

Press **Sanitize** until 'b0 - b5' is displayed. The higher the number, the brighter the display. Select a number, and then press **Delay Start**.

Operations

Water softener

Press **Sanitize** until 'L0 - L5' is displayed. Select a water hardness level from Level 0 to Level 5 (default: L3), and then press **Delay Start**.

NOTE

If the water hardness level in your area is 0, you do not need to use dishwasher-specific salt. However, you must set the water hardness setting for the dishwasher to 0.

Water hardness level

Level	Water hardness				Regeneration softening/washing cycle (ECO program)	Salt injection
	°dH	°TH	mmol/L	Range		
0	<6	<10	<1.0	No recycle	No	No
1	6-14	10-25	1-2.5	1/8	Yes	Yes
2	14-23	25-40	2.5-4.0	1/5	Yes	Yes
3	23-31	40-55	4.0-5.5	1/3	Yes	Yes
4	31-40	55-70	5.5-7.0	1/2	Yes	Yes
5	>40	>70	>7.0	1/1	Yes	Yes

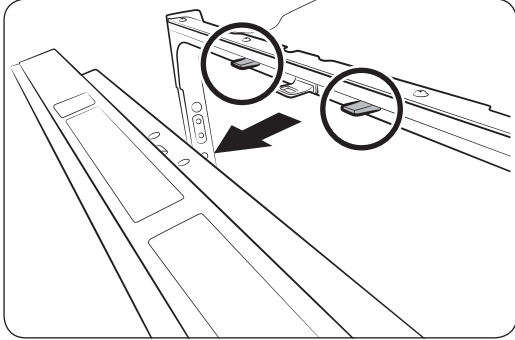
We recommend using soft water for better results. Hard water contains impurities that can reduce the washing performance. You will need to soften the water if the supplied water is harder than 1.0 mmol/L (6 °d - German scale).

- To soften the water, you need dishwasher-specific salt and configuration of the water hardness level according to your area. For more information about the water hardness level in your area, contact your local water department.
- If the hardness level of the supplied water supply is unsteady, set the dishwasher to the highest measurement. For example, if the water hardness reading ranges from 6.7 mmol/L to 9.0 mmol/L, set the dishwasher to 9.0 mmol/L.
- The dishwasher's default water hardness level is 3 (4.0-5.5 mmol/L). If this setting matches the water hardness level in your area, you do not need to change it.

To cancel your changes

To cancel any of the settings during the process, press **POWER** to turn the dishwasher off. Then, try again.

Auto Door



To improve drying performance, the door opens automatically in the drying process. '0' will be displayed when the current cycle is complete.

Press **Sanitize** until 'A1' or 'A0' is displayed to enter Auto Door mode. Then, press **Delay Start** to enable (A1) or disable (A0) the Auto Door function.

NOTE

- Once the door opens in Auto Door mode, the door cannot be closed manually for the next 2 minutes.
- Disabling Auto Door mode can affect the drying results. Enable Auto Door for better results.
- Auto Door will be disabled in the Quick cycle.

Operations

Delay Start

You can delay the cycle starting time up to 24 hours in 1-hour increments. To increase the delay time, press **Delay Start**. The hour displayed indicates the time at which the cycle will start.

1. Open the door, and then load the dishwasher.
2. Press **Delay Start**, and then press or hold **Delay Start** to change the time in 1-hour increments.
3. Close the door, and then press **START**.

NOTE

To change the delay time once the dishwasher has started, press **POWER** and restart the dishwasher.

Control Lock

To prevent children from playing with the dishwasher, Control Lock locks all button controls except for **POWER**.

- To activate Control Lock, press and hold **Sanitize** for 3 seconds. With Control Lock activated, you cannot select a cycle or option, or start an operation.
- To deactivate Control Lock, press and hold **Sanitize** again for 3 seconds
- Control Lock remains active after the dishwasher restarts. To cancel Control Lock, you must deactivate it first.

Maintenance

Cleaning

Keep the dishwasher clean to improve performance, reduce unnecessary repairs, and lengthen the lifecycle.

Exterior

Clean spills on the surface of the dishwasher as they occur. Use a soft, damp cloth on the control panel to gently wipe away spills and dust.

⚠ CAUTION

- Do not use benzene, wax, thinner, chlorine bleach, alcohol, or other chemical substances. These materials may discolour the surface of the dishwasher and cause stains.
- The dishwasher has electric parts inside. Do not sprinkle water directly onto the dishwasher. Protect electrical components from coming in contact with water.
- For a stainless-steel door panel, use a stainless steel cleaner for home appliances and a clean, soft cloth.

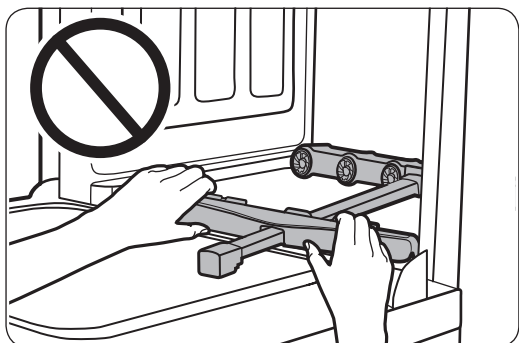
Interior

Clean the interior of the dishwasher on a regular basis to remove any dirt or food particles. Wipe inside the dishwasher and inside the door with a wet dishcloth. We recommend filling the detergent dispenser with dishwasher soap, and then running the Self Clean cycle with an empty dishwasher.

To keep the cutlery pad clean, turn it over after using it. To remove white spots and odours from the cutlery pad, run the Self Clean cycle with an empty dishwasher and no detergent until the cutlery pad flushes. Then, stop the cycle and apply an 8-ounce cup of white vinegar into the lower basket. Close the door and resume the cycle.

⚠ CAUTION

Do not remove the front seal (the long rubber seal enclosing the opening of the dishwasher). The seal keeps the inner side of the dishwasher sealed.



Use a damp cloth to remove lime scale or grease deposits inside the dishwasher. Alternatively, apply some detergent, and then run an empty cycle using the highest rinse temperature.

⚠ CAUTION

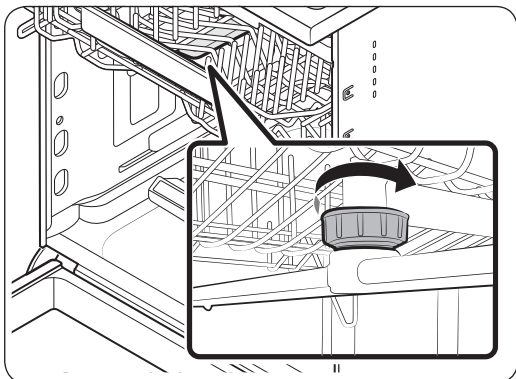
To avoid damaging the motor, use caution when manually moving the water reflector.

Maintenance

Nozzles

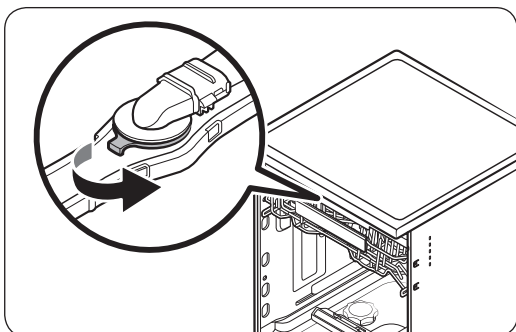
To prevent the nozzles from being clogged or if the nozzles are clogged, remove and clean each nozzle. Use caution when removing the nozzles as they may break.

Upper nozzle



1. Open the door, and then pull out the upper rack to reveal the upper nozzle.
2. Loosen and remove the nut, and then remove the nozzle.
3. Unclog and clean the nozzle.
4. Reinsert the nozzle, and then tighten the nut by hand.
5. Rotate the nozzle by hand to make sure the nozzle is engaged correctly

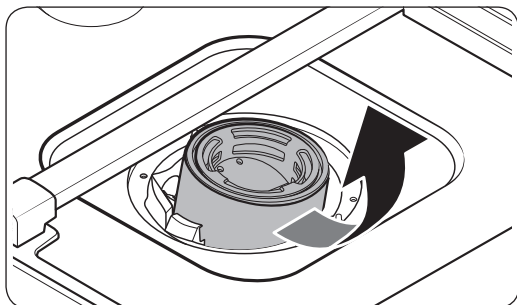
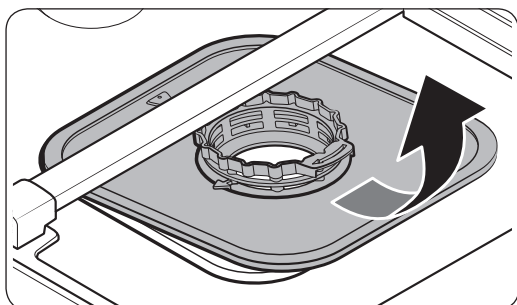
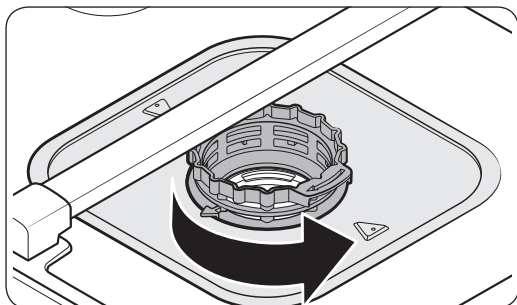
Top nozzle



1. Open the door, and then pull out the upper rack. The top nozzle is visible on the top.
2. Turn counter clockwise and remove the **nozzle cap**, and then remove the nozzle.
3. Unclog and clean the nozzle.
4. Reinsert the nozzle, and then tighten the cap clockwise.
5. Rotate the nozzle by hand to make sure the nozzle is engaged correctly.

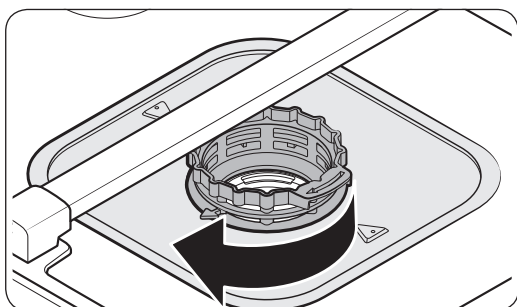
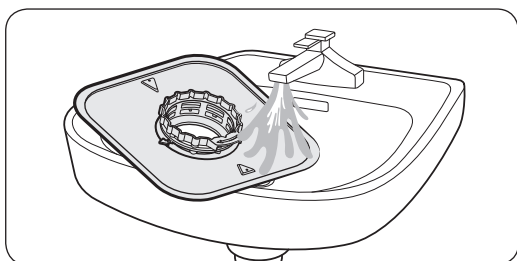
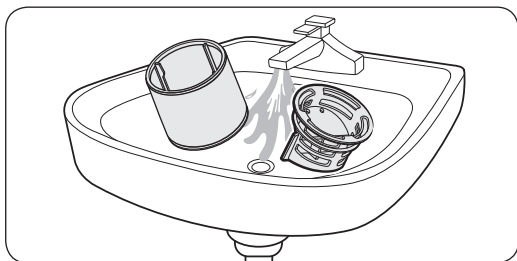
Filter

We recommend cleaning the filter every month.



1. Open the door, and then remove the lower rack first.
2. Turn the filter handle counter clockwise to unlock the filter cover.
3. Remove the filter cover, and then the cylindrical micro filter underneath.

Maintenance



4. Remove any dirt and impurities from the micro filter and the filter cover.
5. Rinse them with running water, and then dry well.
6. Reinsert the filter, and then the filter cover.
7. Turn the filter handle clockwise to lock.

CAUTION

Make sure the filter cover is closed properly. A loose cover can reduce the filtering performance.

Long-term care

If you will not use the dishwasher for an extended period of time, first drain the unit completely, and then disconnect the water hose. Shut off the water supply valve and the circuit breaker. Water remaining in the hoses or the internal components can damage the dishwasher.

Troubleshooting

Checkpoints

If you encounter an issue to check with the dishwasher, first check the table below and try the suggestions.

Symptom	Possible Cause	Action
The dishwasher does not start.	The door is not completely closed.	<ul style="list-style-type: none">• Make sure the door is latched and completely closed.• Make sure the upper rack is properly joined with the duct nozzle.• Make sure the upper rack is properly assembled.
	The START button is not selected.	<ul style="list-style-type: none">• See an information code on the display.
	The power cord is not connected.	<ul style="list-style-type: none">• Connect the power cord.
	Water is not being supplied.	<ul style="list-style-type: none">• Make sure the water supply valve is open.
	The control panel is locked.	<ul style="list-style-type: none">• Unlock the Control Lock.
The dishwasher has bad odours.	Water remains from the previous cycle.	<ul style="list-style-type: none">• With the dishwasher empty, add detergent, and then run the Self Clean cycle. This is available only on applicable models.
Water remains in the dishwasher after a cycle has finished.	The drain hose is folded or clogged.	<ul style="list-style-type: none">• Straighten and unclog the hose.

Troubleshooting

Symptom	Possible Cause	Action
Food remains on dishes	An incorrect cycle was selected.	<ul style="list-style-type: none"> Select a cycle according to the soil level of the dishes as instructed in this manual.
	The filters are clogged or not correctly fastened.	<ul style="list-style-type: none"> Clean the filters. Make sure the filters are correctly fastened.
	An insufficient amount of detergent was used.	<ul style="list-style-type: none"> Use the correct amount of detergent for each load.
	The water pressure is low.	<ul style="list-style-type: none"> Make sure the pressure is between 0.05 MPa and 0.8 MPa.
	The spray jets are clogged.	<ul style="list-style-type: none"> Clean and unclog the spray jets.
	Dishes improperly loaded or overloaded.	<ul style="list-style-type: none"> Arrange the dishes so they do not interfere with the spray jet and/or the detergent dispenser.
	The water is too hard.	<ul style="list-style-type: none"> Check the salt refill indicator, and refill with dishwasher salt.
Dishes are not dried well.	There is no rinse aid in the dispenser, or not enough rinse aid was used.	<ul style="list-style-type: none"> Add rinse aid. Check the rinse aid settings.
	Too many dishes are loaded.	<ul style="list-style-type: none"> Overloading may reduce the drying performance. Load your dishes as recommended.
	Glasses and cups spilled water onto other dishes while being unloaded.	<ul style="list-style-type: none"> Empty the lower rack first, and then the upper rack. This will avoid water dripping from the upper rack onto the dishes in the lower rack.
	Multiple detergent tablets were used without selecting the Sanitize option.	<ul style="list-style-type: none"> Select the Sanitize option or use rinse aid.

Symptom	Possible Cause	Action
The dishwasher is too noisy.	The dishwasher makes a sound when the dispenser cover is open and the drain pump is operating.	<ul style="list-style-type: none"> This is normal.
	The dishwasher is not level.	<ul style="list-style-type: none"> Make sure the dishwasher is level.
	The nozzle bumps against the dishes, creating a chopping sound.	<ul style="list-style-type: none"> Rearrange the dishes.
Yellow or brown film remains on dishes.	Coffee and tea soils.	<ul style="list-style-type: none"> Use a cycle with a higher temperature.
Indicators do not light up.	The power cord is not connected.	<ul style="list-style-type: none"> Connect the power cord.
The arms do not rotate smoothly.	The arms are clogged with food particles.	<ul style="list-style-type: none"> Clean the arms.
A white coating remains on dishes.	The water is too hard.	<ul style="list-style-type: none"> Make sure the salt fill indicator and softener settings are correct according to the water hardness of your area. Make sure the salt storage cap is correctly fastened.
Air bubbles and scratch marks are on the control panel.	Air gets into the protective film, causing EPS marks to remain.	<ul style="list-style-type: none"> Remove the protective film from the control panel.

Troubleshooting

Information codes

If the dishwasher fails to operate, you may see an information code on the display. Check the table below and try the suggestions.

Code	Action
LC	Leakage check <ul style="list-style-type: none">• Close the water supply valve. Go to your home's circuit breaker panel, and set the dishwasher's circuit breaker switch to off. Then, contact the installer to repair. If the issue continues, contact a local Samsung service centre.
4C	Water supply check <ul style="list-style-type: none">• Check if the water supply valve is closed, if the water supply is suspended, or if the water inlet valve or line is frozen or clogged by foreign particles. If the issue continues, contact a local Samsung service centre.
5C	Drain check <ul style="list-style-type: none">• Close the water supply valve. Check if the drain hose is clogged or folded. Check if the drain hole inside the pump is clogged. If the issue continues, contact a local Samsung service centre.
HC	High temperature heating check <ul style="list-style-type: none">• Functional check. With the dishwasher empty, add detergent, and then run a cycle. If the issue continues, go to your home's circuit breaker panel, and set the dishwasher's circuit breaker switch to off. Then, contact a Samsung service centre.
3C	Pump operation check <ul style="list-style-type: none">• Functional check. Turn off the dishwasher and restart. If the issue continues, contact a Samsung service centre.

If any information code keeps appearing on the screen, contact a local Samsung service centre.

Cycle chart

Soil Level	Auto	Eco	Intensive	Delicate	Daily55'	Quick
Amount of food remains	Very light to Heavy	Normal	Heavy	Light	Normal	Light
Cycle sequence	Prewash ▶ Mainwash ▶ Rinse ▶ Hot rinse ▶ Dry ▶ End	Prewash ▶ Mainwash ▶ Rinse ▶ Hot rinse ▶ Dry ▶ End	Prewash ▶ Mainwash ▶ Rinse ▶ Hot rinse ▶ Dry ▶ End	Prewash ▶ Mainwash ▶ Rinse ▶ Hot rinse ▶ Dry ▶ End	Mainwash ▶ Rinse ▶ Hot rinse ▶ Dry ▶ End	Mainwash ▶ Rinse ▶ Hot rinse ▶ End
Water consumption (L)	9.3-16.0	9.7	20.0	9.2	11.9	11.5
Energy consumption (kWh)	1.0-1.5	0.833 (DW60M9550**) 0.935 (DW60M9530**)	1.65	0.84	1.25	0.9
Cycle time (min)	108-176	237	182	109	55	37

- Daily55': This cycle will activate the Auto Door function a few minutes after the cycle has finished.
- Quick: This cycle activates neither the Auto Door function nor the drying process.

NOTE

- The washing time depends on the options you have added, and the pressure and temperature of the supplied water.
- The dishwasher drains the remaining water inside automatically if it has not been used for the last 5 days.
- The power consumption depends on the water temperature and/or load. When the Rinse Aid is empty, time and temperature can increase a little.
- If no rinse aid is used, the cycle time and temperature may increase slightly.

Appendix

Transportation/relocation

Make sure the dishwasher is empty with no loose parts. First, drain the dishwasher as follows.

1. Open the door, and then turn the dishwasher on.
2. Select and run the **ECO** cycle.
3. Press **START**, and then close the door.
4. When the cycle is finished, open the door after 5 seconds.
5. Press and hold **START** for 3 seconds to drain water.
6. Close the door.
7. When the draining process is complete, open the door.
8. Turn the dishwasher off, and then shut the water valve off.
9. Disconnect the both the water hose and the drain hose.

CAUTION

Do not shake or sway the dishwasher while moving it. Residual water may drip from the dishwasher.

Protection against frost

If you leave the dishwasher in a place with a risk of frost for an extended time, make sure to empty the dishwasher. For details, see the **Transportation/relocation** section above.

Disposing the dishwasher and helping the environment

Your dishwasher is manufactured from recyclable materials. If you decide to dispose of it, please observe your local waste disposal regulations. Cut off the power cord so that the appliance cannot be connected to a power source.

Remove the door so that animals and children cannot get trapped inside the appliance. Do not exceed the detergent quantities recommended in the detergent manufacturers' instructions.

Specifications

MODEL	FS (Free Standing)
	DW60M9550F*, DW60M9530F*
Power	220-240 V~, 50 Hz
Water pressure	0.05-0.8 Mpa
Wash capacity	14 place settings
Rated power	2000-2300 W
Dimension (Width x Depth x Height)	598 X 600 X 845 (mm)
Weight (Unpacked)	54.0 kg

- Dimensions of the space to be provided for the appliance;
- Dimensions and position of the means for supporting and fixing the appliance within this space;
- Minimum distances between the various parts of the appliance and the surrounding structure;
- Minimum dimensions of ventilating openings and their correct arrangement;
- Connection of the appliance to the supply mains and the interconnection of any separate components;
- Necessity to allow disconnection of the appliance from the supply after installation, unless the appliance incorporates a switch complying with 24.3. The disconnection may be achieved by having the plug accessible or by incorporating a switch in the fixed wiring in accordance with the wiring rules.
- The instructions for fixed appliances shall state how the appliance is to be fixed to its support. The method of fixing stated is not to depend on the use of adhesives since they are not considered to be a reliable fixing means.

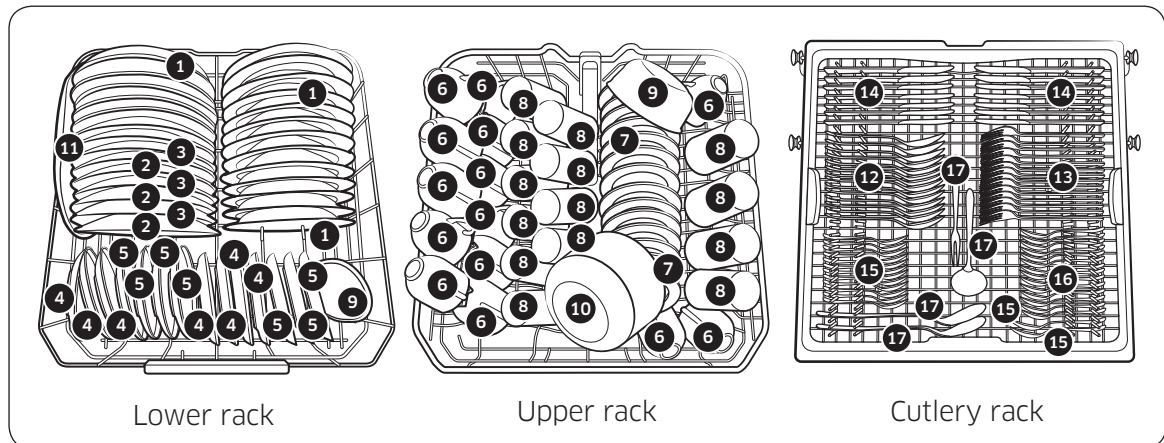
For standard test

NOTE

The diagrams below show the proper way to load the baskets based on the European Standards (EN50242: 2016).

- Washing capacity: 14 place settings
- Position of upper basket: Low
- Programme: ECO
- Rinse aid setting: 6
- Dosage of the standard detergent
 - 14 PS : 7 g + 28 g
- For the arrangement of the items, refer Figure A, B, C.

14 place settings



1	Soup plate: Oat flake	6	Cup: Tea	12	Soup spoon: Oat flake
2	Dinner plate: Egg	7	Saucer: Tea	13	Fork: Egg
3	Dinner plate: Meat	8	Glass: Milk	14	Knife
4	Dessert dish: Spinach	9	Dessert bowl, Medium bowl: Spinash	15	Dessert spoon
5	Dessert dish: Egg	10	Large bowl: Meat	16	Tea spoon
		11	Oval platter: Margarine	17	Serving cutlery

Product fiche

REGULATION (EU) No 1059/2010

NOTE

“ * ” Asterisk(s) means variant model and can be varied (0-9) or (A-Z).

Supplier	SAMSUNG	
Model name	DW60M9550F*	DW60M9530F*
Rated Capacity (place setting)	14	14
Energy efficiency class	A+++	A++
Eco label	No	No
Annual energy consumption, (AE _c) (kWh/year) ¹⁾	237	266
Standard cycle energy consumption, (E _i) (Kwh)	0.833	0.935
Power consumption off mode, P _o (W)	0.48	0.48
Power consumption left-on mode, P _l (W)	5	5
Annual water consumption (AW _c), (L) ²⁾	2716	2716
Standard programme water consumption, (L)	9.7	9.7
Cleaning efficiency class	A	A
Drying efficiency class	A	A
Standard programme ³⁾	Eco	Eco
Programme time for the standard cycle	237	237
Duration of the left-on mode, (T _l) (min)	2	2
Airborne acoustical noise emissions (dBA re 1pW)	42	44
Installation ⁴⁾	Available Built-in	O

- 1) Based on 280 standard cleaning cycles using cold water fill and the consumption of the low power modes. Actual energy consumption will depend on how the appliance is used.
- 2) Based on 280 standard cleaning cycles. Actual water consumption will depend on how the appliance is used.
- 3) 'Standard programme' is the standard cleaning cycle to which the information in the label and the fiche relates, that this programme is suitable to clean normally soiled tableware, and that it is the most efficient programme in terms of combined energy and water consumption.
- 4) If dishwasher have an removable worktop, it shall be placed into a test enclosure.

Memo

Memo

QUESTIONS OR COMMENTS?

COUNTRY	CALL	OR VISIT US ONLINE AT
UK	0330 SAMSUNG (7267864)	www.samsung.com/uk/support
IRELAND (EIRE)	0818 717100	www.samsung.com/ie/support



DD68-00203A-01