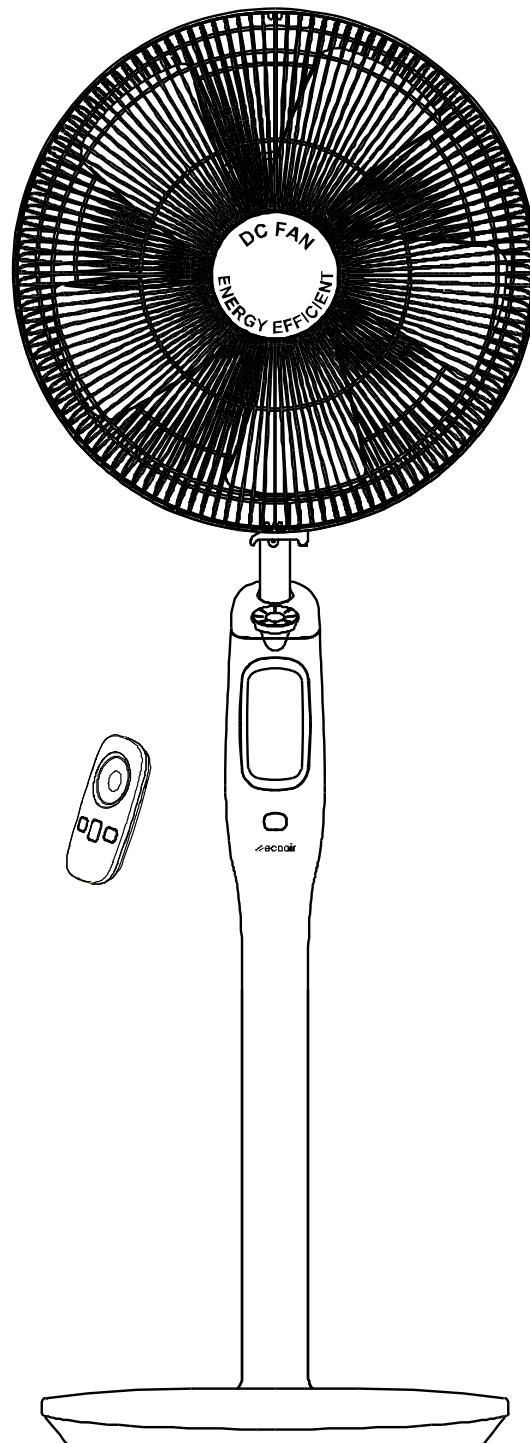




Zephyr

16" DC FAN



WELCOME

Thank you and congratulation for choosing an EcoAir DC Fan to help you improve the air quality within your home. Inside you will find many helpful tips on how to use and maintain your DC Fan efficiently just a little preventative care can save you money and prolong the life of your DC Fan.

The purpose of DC Fan is to distribute air more effectively either hot or cold therefore lowering your energy bills.

BS PLUG WIRING

Wiring Instructions: Should it be necessary to change the plug, please note the wires in the mains lead are coloured in accordance with the following codes:

BLUE - NEUTRAL
BROWN – LIVE
GREEN AND YELLOW - EARTH

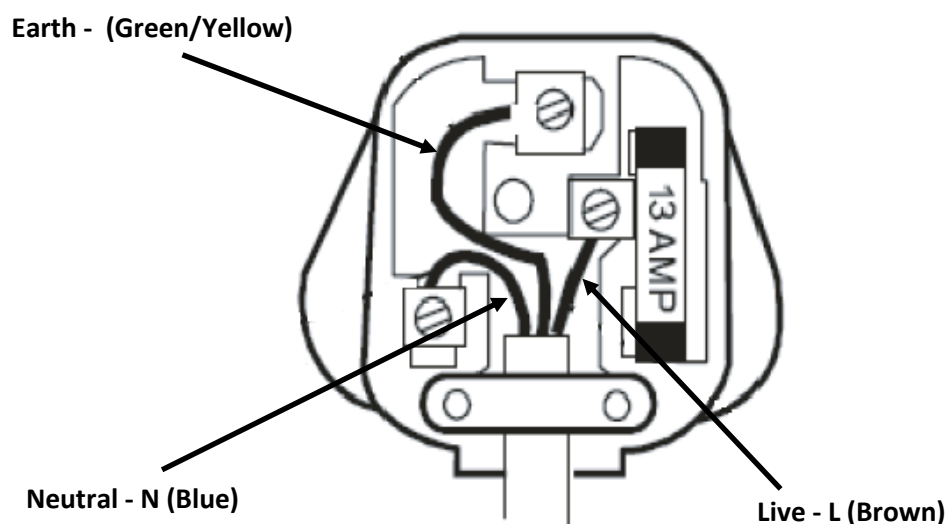
In the event that the colours of the wires in the mains lead of this appliance does not correspond with the coloured markings identifying the terminals in your plug, proceed as follows:

1. The **BLUE** wire is **NEUTRAL** and must be connected to the terminal which is marked with the letter **N** or coloured **BLACK**.
2. The **BROWN** wire is **LIVE** and must be connected to the terminal which is marked with the letter **L** or coloured **RED**.
3. The **GREEN/YELLOW** is **EARTH** and must be connected to the terminal which is marked with the letter **E** or \oplus or coloured **GREEN** or **GREEN/YELLOW**.
4. Always ensure that the cord grip is positioned and fastened correctly.

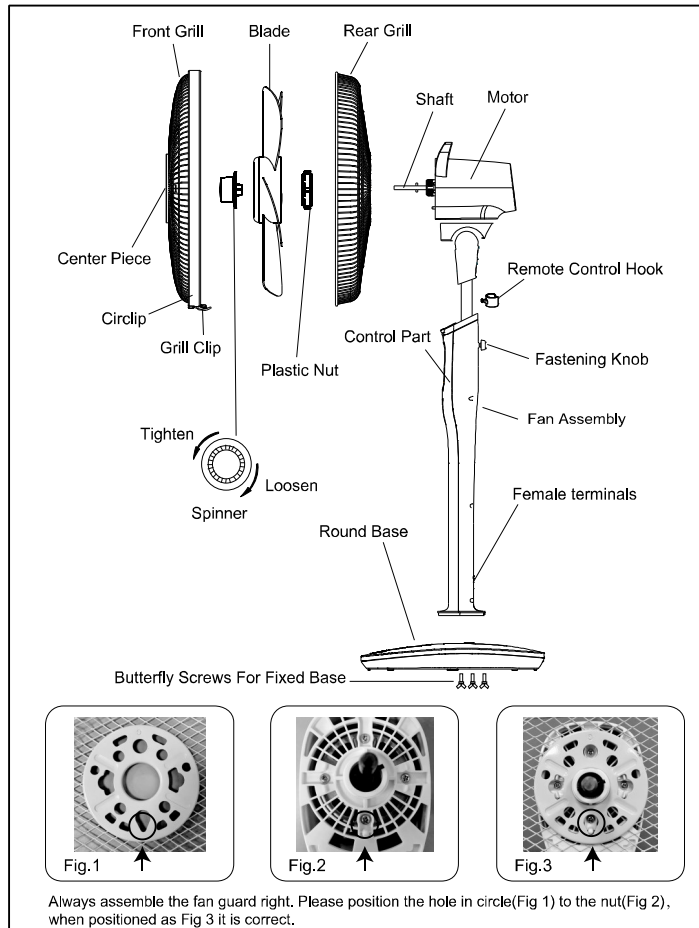
If a **13A (BS 1363)** fused plug is used it must be fitted with a **13A** -fuse. If in doubt consult a qualified electrician.

Wiring for a 13 Amp Plug (BS1363)

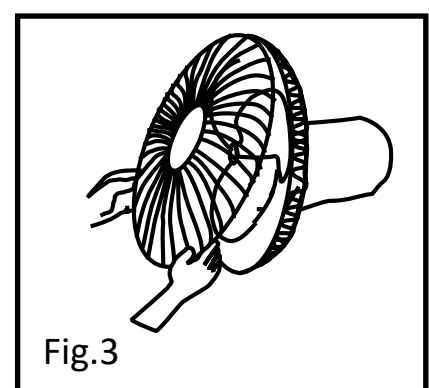
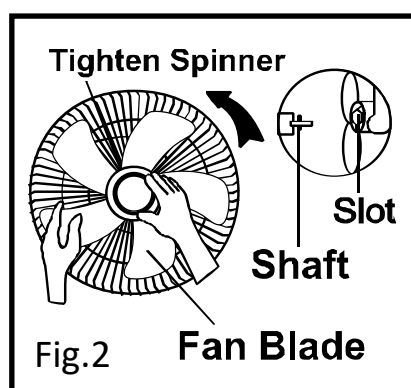
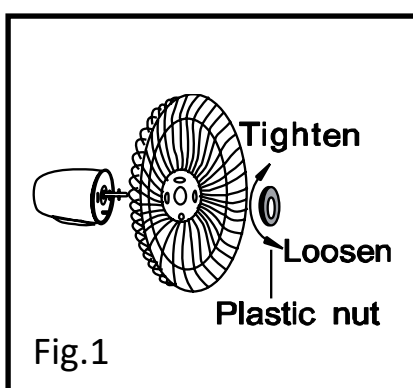
Please note. The Earth Terminal is marked with the letter **E** or \oplus Earth Symbol.



Assembly Instruction

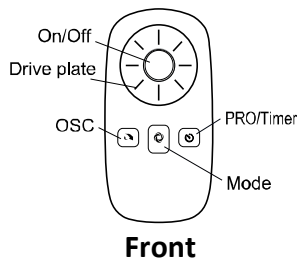


1. To assemble Fan Assembly to Round Base, make sure to align the screw hole of the fan assembly to the round base.
2. Tighten the fan assembly to the round base using the butterfly screws
3. Height adjustment is achieved by loosening the fastening knob, move the inner tube up or down then tighten up when desire high is achieved.
4. Remove both grill assembly and retaining nuts.
5. Fit rear grill to motor, ensure location lugs are all lined up before tightening up the plastic nut in direction on the nut (clockwise). (Fig 1)
6. Insert the fan blade into the shaft ensuring fan blade is locked into the locating position then tighten with spinner nut in the direction indicated on the nut (clockwise). (Fig 2)
7. Secure the front grill to rear grill (the circlip has locating lug). Fix the top first ensuring the top lug is behind the outer ring of the rear grill. Secure the circlip all the way round the grill and then lock into place with grill clip. (Fig 3)
8. **Tilt Adjustment.** To adjust the air flow upward or downward, manually move the motor via the grill gently to the desired direction.
9. **Height adjustment.** To adjust height, loosen the fastening knob, with the other hand lift or lower the inner tube with handle on the motor. Tighten the fastening knob when height is achieved.

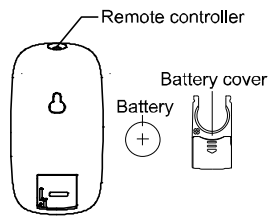


Operation Instruction

PLUG FAN INTO MAIN POWER, AFTER A BEEP THIS FAN IS UNDER STANDBY MODE READY TO BE USED



Front



Back

Using the Remote Control

- Point towards the front of the fan
(Within 5 meters)


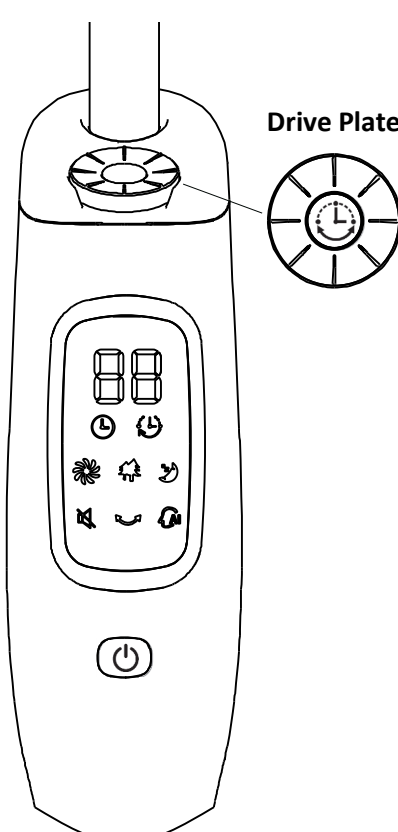


	<p>On/Off Button Press this button to switch the fan on and off. It is pre-set to run on normal fan mode at fan speed 10.</p>
	<p>Drive Plate Rotate this dial to select modes and adjust fan speeds.</p>
	<p>OSC KEY After the fan starts, repeatedly touch this button to start or stop oscillation.</p>

MODE BUTTON

- This button is to quick access the pre-set wind motions.

	<p>Normal Mode The fan runs at a constant speed that you choose between 1 to 26.</p>
	<p>Nature Mode The fan runs at variable speed. This will enhance a smooth and calm feeling.</p>
	<p>Sleep Mode The fan is pre-set to a constant, slow speed.</p>
	<p>Intelligent Mode When the fan detects heat of approximately 20°C, it switches on automatically.</p>
	<p>Timer Mode This is a On/Off timer. When the fan is on standby mode, press this button to set on-time. Rotate drive plate clockwise for time intervals, 0.5 to 8 (1/2 hrs to 8 hrs). When the fan is running, press this button to set off-time by repeating the same steps above. Timer mode can be cancelled by pressing button twice.</p>

Control Panel

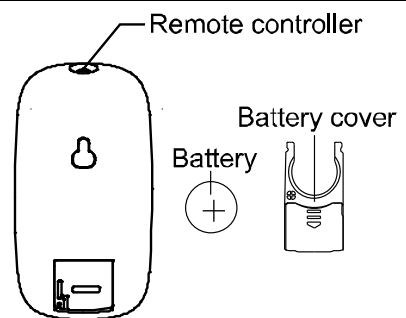
	<p>On/Off Button. Press this button to switch on the fan. It is pre-set to run on normal fan mode at fan speed 10. Press the button again will return the fan back to standby mode.</p>	 <p>Drive Plate</p> <p>— On/Off button</p> <p>— Function button</p>
	<p>Auto Shutdown - Energy Saver Function. The fan will turn off automatically within 12 hrs of last adjustment on the control panel.</p> <p>Display Auto Off - Energy Saver Function When the fan is running, the display will automatically switch off in approximately 30 seconds. The display will switch back on when you make any changes to the setting.</p>	
	<p>Drive Plate. Rotate this dial to access all pre-programmed modes or adjust fan speed, can be rotated clock or anticlockwise.</p>	
	<p>Function Button. When fan is running press this button to activate / deactivate oscillation. Press and hold down the button, to access the timer function.</p> <p>To program on/off timer function. Press this button to set timer on. Rotate drive plate clockwise for time intervals, 0.5 to 8 (1/2 hrs to 8 hrs). When the fan is running, press this button to set timer by repeating the same steps above, Timer mode can be cancelled by holding down the button again.</p>	

BATTERY FOR REMOTE CONTROLLER

1. The Remote Control requires 1 x CR2032 battery
2. Slide down battery cover and insert battery. Check that the + sign is facing upwards.

Storage.

The product can be stored when not in use. We recommend using the original box. It is important to keep it safe in a dry environment. You must remove the battery from remote control. Prior to storage.



MAINTENANCE + CLEANING

1. Switch off and unplug from the power supply before cleaning
2. Clean the surface with a moist soft cloth. Avoid using abrasive detergent or solvents.
3. Do not allow water or other liquid to run into the interior of the product, as this could create fire or electrical hazard.
4. It is recommended to periodically clean this appliance by carefully vacuuming the fan guards to remove any dust or dirt that have accumulated.

SPECIFICATIONS

MODEL	Zephyr
Voltage	220 - 240V - 1Ph
Wind Speed	130 M/Min
Wind Volume	54 M3/Min
Noise	27 - 67 dB
Net Weight	8.2 Kg
Gross Weight	11.5 Kg
Net Dimension (W x H x D)	400mm x 1380mm x 452mm
Gross Dimension (W x H x D)	237mm x 470mm x 1072mm

In the unlikely event of a problem with your product,
please refer in the first instance to:

ECOAIR TECHNICAL SUPPORT

Web: www.ecoair.org/support

Email: technical@ecoair.org

IMPORTANT SAFETY INSTRUCTIONS

PLEASE READ ALL INSTRUCTIONS CAREFULLY BEFORE OPERATING.

WARNING! This fan is intended for domestic and light office use only. Any other use is not recommended by the manufacturer and may cause fire, electrical shocks or other injuries to person or property.

When using electrical appliances, basic safety precautions should always be followed:

1. Do not operate the fan where there is a damaged cord or plug or after it malfunctions or it has been dropped or damaged in any way. Arrange for the fan to be examined or repaired by an authorised technician.
2. Always keep the fan in an upright position to avoid any damage. Place the fan on an even level surface during operation.
3. Ensure the household voltage matches the rated specification for the fan before use.
4. Ensure the fan grille is not blocked or covered. Do not insert fingers or any objects into the fan grille.
6. Do not place the unit too close to curtains or other objects, keep minimum distance of 40cm.
8. Never place anything on top of the fan and do not cover while in use.
9. To protect against electrical shocks, do not immerse or spray the fan or any of its parts in water.
10. Never unplug the power cord without switching OFF the fan first.
11. Never remove the rotor blade guard after assembly.
11. Always unplug the fan when not in use or when moving location. To disconnect the fan from the power supply, grip the plug and pull from the power socket. Never pull by the cord.
13. Close supervision is necessary when the fan is used in the presence of children and pets.
14. Do not run power cord under carpeting, or cover with rugs or runners. Arrange the cord away from areas where it may become a tripping hazard.
15. Never operate or store the fan in direct sunlight.
16. Repairs must be carried out by an authorised technician, failure to do so may cause damage to the fan or injury to persons or property and void the warranty. Always insist on original spare parts.
17. Avoid the using of an extension cable as they may overheat and cause a risk of fire.
19. At the end of its working life dispose the fan responsibly, in accordance with local by laws.

This fan is not intended for use by persons (including children) with reduced physical, sensory or mental capabilities, unless they have been given supervision or instruction concerning use of the fan by a person responsible for their safety. Children should be supervised to ensure that they do not play with the fan.

READ & SAVE THESE IMPORTANT SAFETY INSTRUCTIONS FOR FUTURE REFERENCE

GUARANTEE CARD

EcoAir guarantees this product free from defects in materials and workmanship for a period of One (1) year from the date of purchase. Coverage is valid only with proof of purchase.

Warranty Terms and Conditions

The conditions below apply to our warranty. They do not affect your statutory rights or the obligations of your retailer and your contract with them.

We provide warranty cover for this appliance subject to the following conditions:

1. We will rectify defects affecting the appliance which are clearly attributable to material and/or manufacturing faults, provided they are reported immediately after being identified within the Warranty Period.
2. Service may not be available to all the islands around the UK. Please check with your retailer or contact our customer service department.
3. The warranty will not extend to consumables such as fan blade.
4. Warranty liability will not be triggered by minor variances from nominal features which are of no significance to the appliance's value or fitness for purpose, nor damage caused by wear and tear, exceptional environmental conditions and inappropriate operating conditions.
5. No warranty liability will be accepted:-
 - a. If the defects stem from transport damage for which we are not responsible.
 - b. Improper installation and assembly.
 - c. Improper use, to also include poor maintenance caused by insufficient aftercare or cleaning and failure to observe operating or assembly instructions.
 - d. Use in a non-domestic environment, to include fan for rental.
6. No rights are given under this warranty to a person acquiring the appliance second hand or appliance bought from an auction site.
7. We reserve the right to invalidate the warranty: -
 - a. If repairs or other interventions are performed by persons not authorised by us.
 - b. If our appliances are fitted with non-original spare parts, extras or accessories.
 - c. If our appliance has been altered.
 - d. In the event of abuse (whether physical or verbal abuse) towards any member of staff.
8. Warranty provision will be free of charge and we will decide whether this will take the form of a repair or the replacement of the appliance. Small appliances that can be reasonably be transported or posted may need to be handed over or shipped to our customer service centre. A purchase receipt must be presented in each case. Replaced parts pass into our ownership.
9. Under no circumstances shall the application of this warranty give rise to the complete replacement of the appliances. In the event of a replacement appliance being supplied at our discretion, we reserve the right to charge an appropriate monetary offset in respect of the period of use already enjoyed.
10. The provision of services under warranty neither extends the term of the warranty nor sets in motion a new Warranty Period. The Warranty Period for spare parts fitted ends with the expiry of the warranty on the appliance as a whole.
11. Liability for loss of goods, loss of use, or any special, indirect, consequential or pure economic loss, costs, damages, charges or expenses are excluded.
12. Our Warranty service is on a return to base basis.

These warranty conditions apply to appliances purchased in the United Kingdom. If appliances shipped to other countries feature the appropriate technical conditions (e.g. voltage, frequency, gas-types etc.) for the climatic and environmental conditions in the country concerned, the terms of the warranty will apply, provided a local customer service network exists. Appliances purchased outside the United Kingdom are subject to the warranty conditions published by the appropriate local representative office of that country. These can be obtained via the specialist dealer from whom you bought the appliance.

www.ecoair.org

C338



