



## **INSTALLATION AND USER MANUAL**



### **CANOPY COOKER HOOD**

**eiQ90CANOPYSTEEL**

Thank you for choosing electriQ  
Please read this user manual before using this  
product and keep it safe for future reference.  
Visit our page [www.electriQ.co.uk](http://www.electriQ.co.uk) for our entire product range

## **CONTENTS**

SAFETY	3
UNPACKING AND PRODUCT OVERVIEW	5
OPTIONS FOR VENTILATION	6
INSTALLATION	7
OPERATION	8
FILTER REPLACEMENT	9
BULB REPLACEMENT	10
MAINTENANCE	11
TROUBLESHOOTING	12
TECHNICAL SPECIFICATION	13
SUPPORT	14

## SAFETY PRECAUTIONS

- Whilst this product is compliant with all safety requirements, incorrect or inappropriate use can lead to both personal injury and potential damage to property. Please read the contents of this instruction booklet thoroughly before fitting or using the appliance.
- The cooker hood must be installed in accordance with the installation instructions and all measurements followed.
- All installation work must be carried out by a competent person or qualified electrician.
- If venting externally, make sure the ducting has no bends sharper than 90 degrees as this will reduce the efficiency of the cooker hood.
- The cooker hood is for domestic use only and not designed for commercial use. It should only be used for the purpose it was intended – to extract vapours and cooking odours.
- There is a potential fire risk if cleaning is not carried out in accordance with the instructions.
- Do not flambé or use an open flame under the cooker hood.
- Do not try to use the cooker hood without the grease filters or if the filters are excessively greasy! They should be cleaned regularly (see “Maintenance”) and replaced as necessary.
- The air must not be discharged into a flue that is used for exhausting fumes from appliances burning gas or other fuels (not applicable to appliances that only discharge the air back into the room).
- Do not leave frying pans unattended during use because overheated fat or oils might catch fire.
- If the cooker hood is damaged, do not attempt to use it.
- If the supply cord is damaged, it must be replaced by the manufacturer, its service agent or similarly qualified persons in order to avoid a hazard.
- This appliance can be used by children aged from 8 years and above and persons with reduced physical, sensory or mental capabilities or lack of experience and knowledge if they have been given supervision or instruction concerning use of the appliance in a safe way and understand the hazards involved. Children shall not play with the appliance. Cleaning and user maintenance shall not be made by children without supervision
- Accessible parts may become hot when used with cooking appliances.
- The plug must be accessible after installation for isolation in case of an emergency – or an appropriate fused switch if the unit is hard-wired to the mains via a spur.
- The minimum distance between the surface of the hob and the lowest part of the hood should be 65cm for electric hobs and 75cm for gas hobs. A distance of between 65cm and 75cm gives peak efficiency.

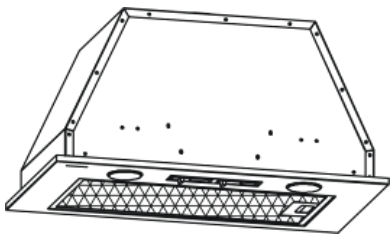

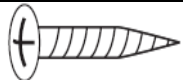

- If the hood is being installed so that the air is vented outside, there MUST be adequate ventilation of the room when the hood is used at the same time as appliances burning gas or other fuels – use of the hood may be dangerous as it could draw back the fumes from the other appliances which would otherwise be vented outside. If adequate ventilation can only be ensured via an open window, a window contact switch should be fitted, (available from good DIY stores or Builders merchants) which will then ensure the hood may only be operated when the window is sufficiently opened. Please note – the above does NOT apply if the hood is only used in recirculation mode with charcoal filters.
- Regulations concerning the discharge of air have to be fulfilled.
- If used in recirculation mode, the charcoal filters trap odours and must be replaced at least once a year depending on how frequently the cooker hood has been used.
- The installation instructions for range hoods with accessible metallic enclosures of class II construction shall include details that indicate the location and maximum permitted lengths for any fixing or mounting screw or other fixing device that penetrates into the range hood to attach an accessory such as a fascia or duct fitting.
- Where fixing or mounting screws, or other fixing devices are used, that penetrate into the range hood with an accessible metallic enclosure of class II construction, to attach an accessory, the instructions shall indicate the required location of these screws or fixing devices and include the substance of the following warning.
- For safety reason, please use only the same size of fixing or mounting screw which are recommended in this instruction manual.
- Warning: Failure to install the screws or fixing device in accordance with these instructions may result in electrical hazards
- Regarding the instructions for the bulb changing, refer to the section “bulb changing”. ILCOS D code for this lamp is: DBR-2/65-H.

**CAUTION: Accessible parts of the hood can become very hot during use with cooking appliances, whether in use or not, due to heat rising from the hob. Sufficient cooling time should be allowed before touching either the housing or the grease filter(s)**

## UNPACKING YOUR HOOD

- Please take great care when unpacking; a sharp blade should not be used to open the box, as it may go deep enough inside to damage components. Components damaged or marked by careless unpacking are not covered under the guarantee.
- Carefully unpack the contents and check everything is there, using the table in the next section (Product overview – parts supplied).
- Packaging materials should be recycled in accordance with local regulations.

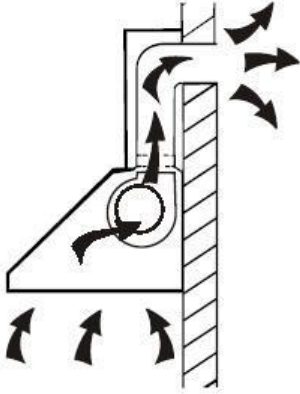
## PRODUCT OVERVIEW – PARTS SUPPLIED

Description	Illustration	Qty.
Cooker hood		1
Adaptor		1
Screw (4mm x 14mm)		8
Air Flaps		2

## OPTIONS FOR VENTILATION

This hood supports both external venting and recirculation. The type of setup should be decided before commencing installation.

### EXTERNAL VENTING

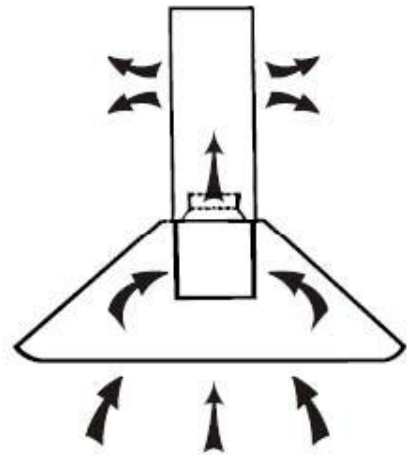


A 150mm diameter flexible pipe is provided which allows the cooking odours to be extracted outside. If this is the chosen installation method a suitable vent pipe should be purchased (150mm diameter) and consideration to the route of the vent pipe should be made. The unit is also provided with an adaptor allowing pre-existing 120mm ducting to be used to vent the unit.

### RECIRCULATION

This Cooker hood also supports the recirculation of the air once it has passed through the filters. Please note if setting up the hood for recirculation, there should be suitable ventilation in the cabinet, to allow the air extracted to flow back into the room from the cooker hood.

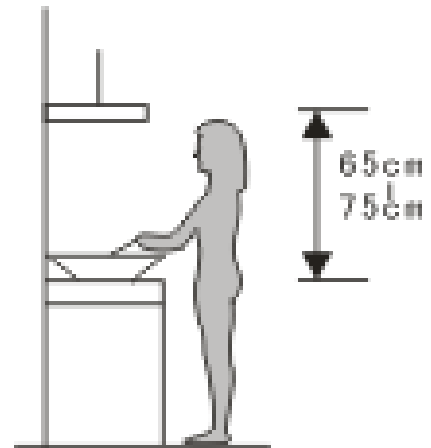
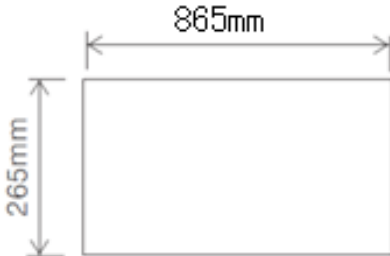
When setting the unit up in this configuration, carbon filters should also be used to remove odours from the air. Details of sourcing and fitting the filters can be found in the Carbon filter section.



## INSTALLATION

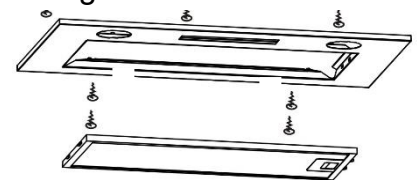
1. The cooker hood should be placed at a height of 65-75cm (26-30inch) from the cooking surface for the best effect.

2. Cut a hole in the cupboard, with the dimensions of 865 x 265 mm. Make sure that the edges of the hole are at least 35mm from the edges of the cupboard.



3. Remove the aluminum grease filter from the hood, before removing the four screws holding the panel in place.

4. Remove the panel from the hood, by removing the 4 screws holding it in place. Disconnect the two wires running from the led bulbs at their connectors with the main hood.



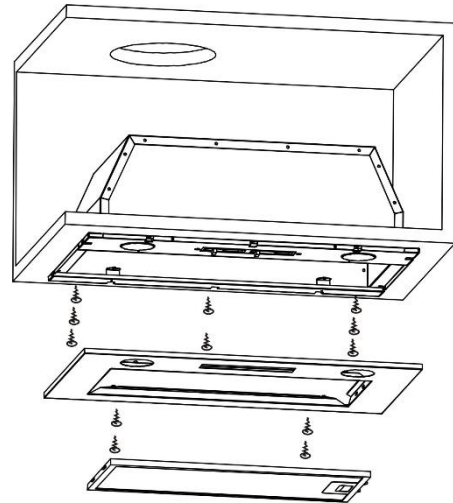
5. The 2 x air flaps should be installed at this stage, as access is easier before the unit is wall mounted. On the top of the Hood Unit itself, where the air outlet vent is located, the 2 x flaps should be carefully installed, bending very slightly so the lugs at each end locate into the holes, enabling flaps to pivot upwards when the unit is in operation, opening up the outlet fully for the air to pass through. Please note – the small spindles/lugs at each end of each flap locate into the holes on the housing, not the grooves above them:



6. If venting externally, an exhaust pipe (not supplied) should be placed onto the one-way-valve, and the vent pipe pushed onto the valve. The adaptor supplied may be used if connecting to pre-existing ducting with a smaller diameter.

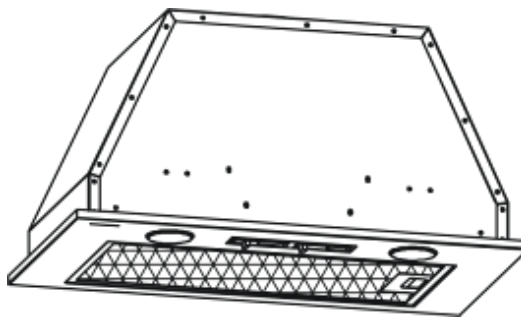
7. Ensure the vent pipe (if used), and power lead are routed into position through the cabinet, as to make sure they can be connected once the hood is fitted in place, or in the case of the vent pipe, the opposite end can also be connected at this point.

8. Use the supplied screws to fix the hood into the cabinet.
9. Use the 4 screws previously removed to fix the panel into body and reattach the aluminum grease filter
10. Plug in the hood and connect the opposite end of the vent pipe (if required)

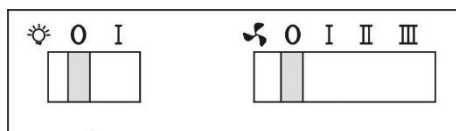


## OPERATION

Your cooker hood is provided with two easy to use slide switches. There are 3 speeds for the motor and a separate switch for the lamp.



### Slide switches



### Fan Speed Switch

	Motor Operation
0	Off
I	Low Power Setting
II	Mid Power Setting
III	High Power Setting

### Light Switch

	Light Operation
0	Light Off
I	Light On

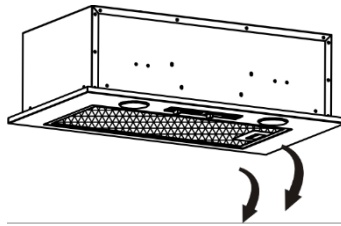


## CARBON FILTER (Available Separately)

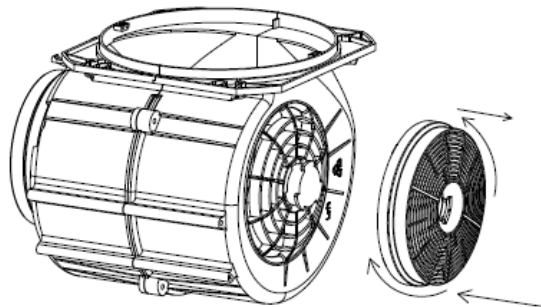
Activated carbon filters can be used to trap odours, and must be used if the hood is not vented to the outside. They are available from the same stockist you purchased the hood from under the following reference: eiqcf110

### eiQCF110 (Twin Pack of Carbon Filters)

In order to install the activated carbon filter, the aluminum anti-grease filter should first be detached. Press the lock and pull it downward.



Put the activated carbon filters into the unit, fix them by turning them clockwise onto both sides of the motor housing.



#### NOTE:

- Make sure the filter is securely locked. Otherwise, it could loosen and cause damage to the unit.
- When the activated carbon filters are attached, the suction power will be lowered.
- The charcoal filters cannot be washed or recycled. They should be changed at three or six months according to the amount of use the hood receives. Replacements are available from the retailer you purchased the hood from.

## BULB REPLACEMENT

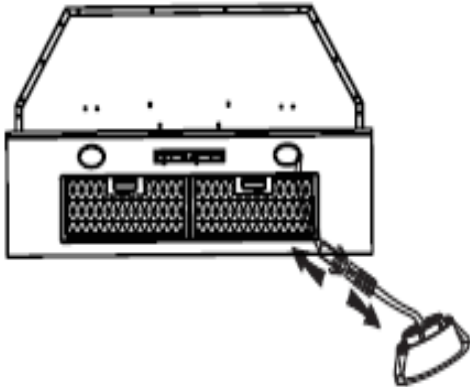
**IMPORTANT:** The light fitting must be replaced by the manufacturer, its service agent or similarly qualified persons

Your cooker hood is supplied with 2 long life LED light fittings, although these are designed to have a very long lifespan, should one fail, replacements are available from the supplier of the hood and the guide below can be followed to replace it.

1. Switch the unit off and make sure it is disconnected from the mains supply.
2. Remove the aluminum grease filter.
3. Unscrew the panel from the main unit using the 4



4. Follow the wire from the light fitting and disconnect it at the connector with the hood.



5. Remove the light fitting from the panel by pulling back the 2 spring clips, and carefully push the fitting out of the panel.

6. Install the replacement fitting by feeding the connector through the panel, and plugging back in to the connector on the hood, before pulling back the spring clips and inserting the new fitting into the cut out in the panel.

7. Fix the panel back into place using the 4 screws previously removed.
8. The aluminum grease filter can then be refitted.



## **MAINTENANCE**

Before cleaning, switch the unit off and pull out the plug, or switch off at the relevant mains switch if the unit has been hard-wired. Make sure the unit has no power being fed to it.

### **Regular Cleaning**

Use a soft cloth moistened with hand-warm mildly soapy water or household cleaning detergent. Never use metal pads, chemicals, abrasive material or a stiff brush to clean the unit.

Note! Do not use a steam-cleaner to clean the hood; electrical components could be damaged or short-circuit as a result.

### **Monthly Cleaning for metallic anti-grease filter**

ESSENTIAL NOTE: Clean the filter every month; an excessive build-up of grease can become a fire hazard. The filter collects grease, smoke and dust, so the filter directly affects the efficiency of the cooker hood. If it's not cleaned, the grease residue (potentially flammable) will saturate the filter.

Remove the filter as shown in the Installation section. Clean it with a soft nylon brush in a mild solution of warm water and a small amount of washing up liquid. Washing up liquid alone should not be used. After cleaning, allow the filter to drain and then dry thoroughly.

The grease filter may also be cleaned in a dishwasher using a 60°C program, with the filter upright (short sides upright) in the lower basket. Please be aware some dishwasher cleaning agents can permanently discolour the filter, though this will not affect its performance.

Replacements are available from the retailer the hood was purchased from under reference: **eiQCAN90GF**

### **Replacement for Activated Carbon Filter**

These are only required in units that have been installed in recirculation mode. This filter traps odours and must be replaced ideally every 3-6 months depending on how frequently the cooker hood has been used. They are not washable or reusable. Replacements are available from the retailer the hood was purchased from under reference: **eiQCF110**

## TROUBLESHOOTING

Fault	Cause	Solution
Light on, but fan does not work	The fan blade is jammed.	Switch off the unit. Repair to be carried out by qualified service personnel only.
	The motor is damaged.	
Both light and fan do not work	Light has blown.	Replace the lamp with correct rating.
	Power cord loose.	Plug in to the power supply again.
Excessive Vibration	The fan blade is damaged.	Switch off the unit. Repair to be carried out by qualified service personnel only.
	The fan motor is not fixed tightly.	Switch off the unit. Repair to be carried out by qualified service personnel only.
	The unit is not hung properly on the bracket.	Take down the unit and check whether the bracket is in proper location.
Poor suction performance	Are the grease filters clogged?	Clean or replace grease filters.
	Distance between the unit and the cooking plane too great.	Adjust the distance to between 70cm and 80cm.
	Air flaps Jammed	Follow the instructions to remove the cooker hood, and after disconnecting the vent pipe, check the air flaps more freely.

## TECHNICAL SPECIFICATION

	Symbol	Value	Unit
<b>Model identification</b>		<b>eiQ90CANOPYSTEEL</b>	
<b>Annual Energy Consumption</b>	$AEC_{hood}$	61.4	kWh/a
<b>Time increase factor</b>	f	1.2	
<b>Fluid Dynamic Efficiency</b>	$FDE_{hood}$	23.2	
<b>Energy Efficiency Index</b>	$EEI_{hood}$	67.6	
<b>Measured airflow rate at the best efficiency</b>	$Q_{BEP}$	322.6	m <sup>3</sup> /h
<b>Measured air pressure at best efficiency point</b>	$P_{BEP}$	344	Pa
<b>Maximum airflow</b>	$Q_{max}$	615.7	m <sup>3</sup> /h
<b>Measured electric power input at best efficiency point</b>	$W_{BEP}$	133.1	W
<b>Nominal power of the lighting system</b>	$W_L$	4.2	W
<b>Average illumination of the lighting system on the cooking surface</b>	$E_{middle}$	137	lux
<b>Measured power consumption on standby mode</b>	$P_s$	-	W
<b>Measured power consumption on off mode</b>	$P_o$	0	W
<b>Sound power level</b>	$L_{WA}$	High: 70 Low: 60	dB

The following shows how to reduce total environmental impact (e.g. energy use) of the cooking process:

- (1) Install the cooker hood in a place where there is efficient ventilation.
- (2) Clean the cooker hood regularly so as not to block the airway.
- (3) Remember to switch off the cooker hood light after cooking.
- (4) Remember to switch off the cooker hood after cooking.

## INFORMATION FOR DISMANTLING

Do not dismantle the appliance in a way which is not shown in the user manual. The appliance should not be dismantled by user. At the end its life, the appliance should not be disposed of with household waste. Check with you Local Authority or retainer for recycling advice.

## electriQ UK SUPPORT

[www.electriQ.co.uk/support](http://www.electriQ.co.uk/support)

Call: 03303903061

Office hours: 9AM - 5PM Monday to Friday

[www.electriQ.co.uk](http://www.electriQ.co.uk)

Unit J6, Lowfields Business Park

Lowfields Way, Elland

West Yorkshire, HX5 9DA



Recycling facilities are now available for all customers at which you can deposit your old electrical products. Customers will be able to take any old electrical equipment to participating sites run by their local councils. Please remember that this equipment will be further handled during the recycling process, so please be considerate when depositing your equipment. Please contact the local council for details of your local household waste recycling centers.