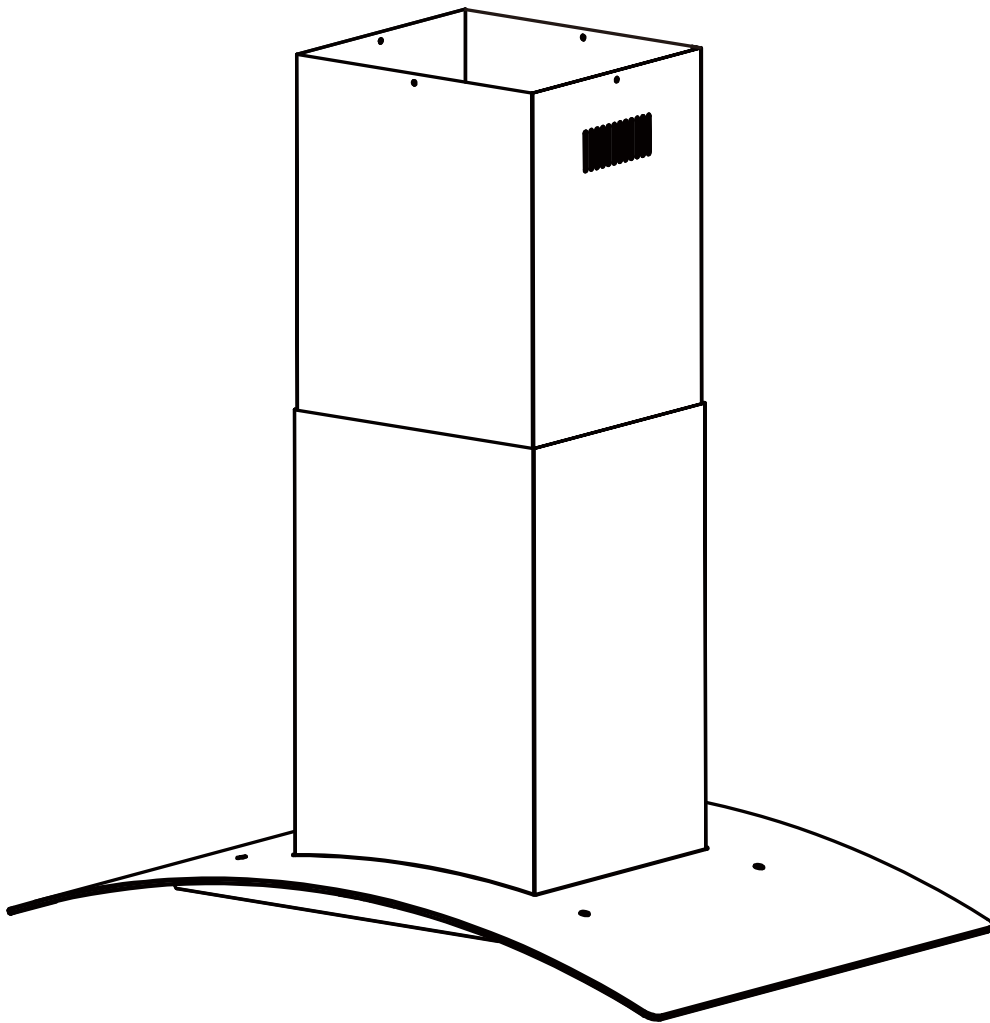


electric*u*

INSTALLATION AND USER MANUAL



ISLAND COOKER HOOD

eiQCURVISL90SS

eiQCURVISL90BL

CONTENTS

SAFETY PRECAUTIONS	2
INTRODUCTION	4
DIMENSIONS	4
UNPACKING YOUR APPLIANCE	4
PRODUCT OVERVIEW – PARTS SUPPLIED	5
OPTIONS FOR VENTILATION	6
STANDARD INSTALLATION	7
INSTALLATION FOR MINIMUM CHIMNEY LENGTH	9
CARBON FILTER	11
OPERATION	12
MAINTENANCE	13
TROUBLESHOOTING	15
MANUFACTURER SUPPORT	15
ENVIRONMENTAL PROTECTION	15
SPECIFICATION	16

SAFETY PRECAUTIONS

Whilst this product complies with all safety requirements, incorrect or inappropriate use can lead to personal injury and potential damage to property. Please read the contents of this instruction booklet thoroughly before fitting or using this cooker hood.

- The cooker hood must be installed in accordance with the installation instructions provided, making sure all measurements and guidance are followed.
- All installation work must be carried out by a qualified electrician or a competent person.
- If venting externally, make sure the ducting has no bends sharper than 90 degrees as this will reduce the efficiency and performance of the cooker hood.
- The cooker hood is for domestic use only and is not designed for commercial use. It should only be used for the purpose it was intended – to extract vapours and cooking odours.
- Do not flambé or use an open flame under the cooker hood.
- Do not try to use the cooker hood without the supplied grease filters, or if the filters are excessively greasy. The filters should be cleaned regularly following the guidance provided, and replaced if necessary.
- Clean your appliance regularly, by following the method provided in this manual. Failing to maintain the unit would increase the risk of fire.
- Do not discharge the air into a flue that is used for exhausting fumes from other appliances burning gas or other fuels.
- Do not leave frying pans unattended during use because overheated fat or oils might catch fire.
- If the cooker hood is damaged, do not attempt to use it.

- If the supply cord is damaged , it must be replaced by the manufacturer, its service agent, or similarly qualified person in order to avoid an accident.
- We advise this cooker hood should not be used by people (including children) with reduced physical , sensory , or mental capabilities, or by those who lack experience and knowledge , unless they have been given supervision and instruction on how to use the appliance by a person responsible for their safety.
- Accessible parts may become hot when used with cooking appliances.
- This cooker hood is not a toy and children should be supervised to ensure they do not play with it.
- The plug must be accessible after installation in case you need to isolate it in an emergency. If the unit is hardwired to the mains via a spur, a fused switch should be installed and accessible for it.
- The minimum distance between the hob surface and the lowest part of the hood should be at least 65cm. A distance of between 70cm and 80cm gives peak efficiency.
- The room MUST be adequately ventilated when the hood is in use.
- Regulations concerning the discharge of air have to be fulfilled.
- If used in recirculation mode, the charcoal filters trap odours and must be replaced at least once a year depending on how frequently the cooker hood has been used.

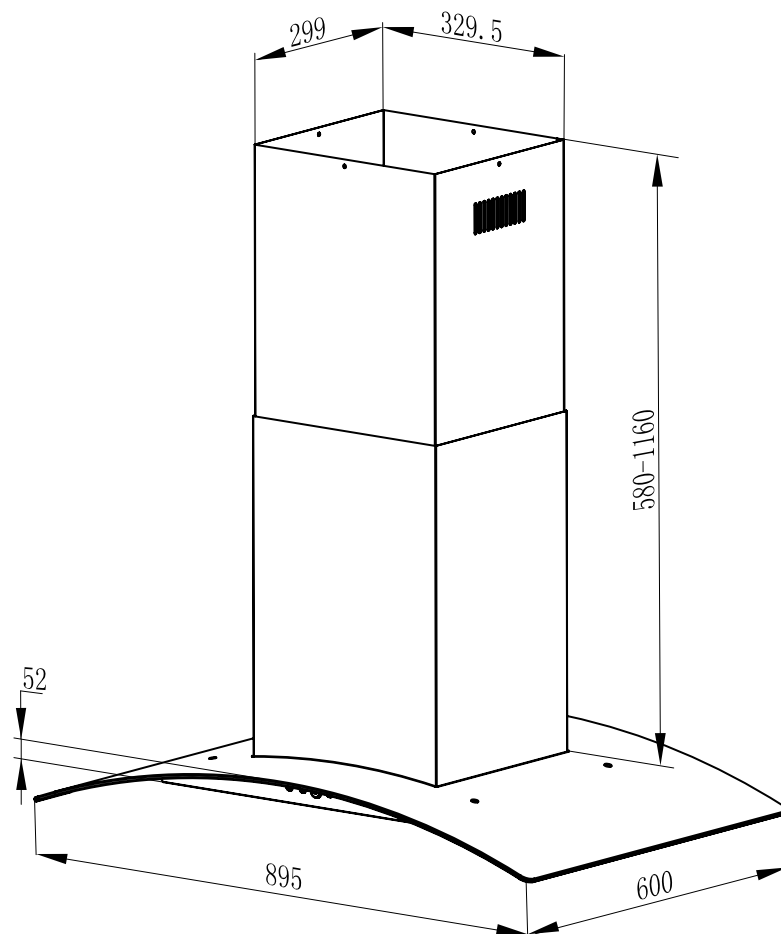
CAUTION: Accessible parts of the hood can become very hot during use with cooking appliances, even when not in use, due to heat rising from the hob. Sufficient cooling time should be allowed before touching either the housing or the grease filters.

INTRODUCTION

Thank you for choosing an electriQ cooker hood.

This instruction manual is designed to provide you with all required instructions related to the installation, use and maintenance of the appliance. In order to operate the unit correctly and safely, please read this instruction manual carefully before installation and usage.

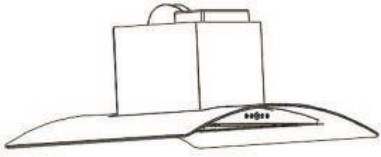
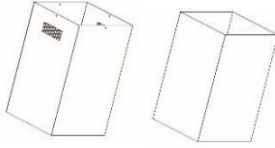


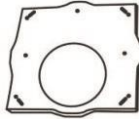





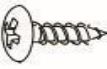
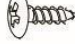



DIMENSIONS OF THE HOOD



UNPACKING YOUR APPLIANCE

- Please take great care when unpacking; a sharp blade should not be used to open the box, as it may go deep enough inside to damage components. Components damaged or marked by careless unpacking are not covered under the guarantee.
- Carefully unpack the contents and check against the next section (Product overview – parts supplied)
- Packaging materials should be recycled in accordance with local regulations

PRODUCT OVERVIEW – PARTS SUPPLIED

Description	Illustration	Qty.
Cooker hood		1
Chimney		2
Adaptor		1
Cable Tie		1
Wall Bracket		1
Hanging hook		1
Metal angle bar		8
Screw (ST4) (4mm x 30mm)		11
Wall plug		11
Expansion bolt (6mm x 50mm)		6
Screw (M5) (5mm x 10mm)		40
Screw (self-tapping) (4mm x 6mm)		4
Nut		16
Metal washer		16
Air Flaps		2

OPTIONS FOR VENTILATION

This hood supports both external venting or recirculation. The type of setup should be decided before commencing installation.

EXTERNAL VENTING

A flexible pipe is provided which allows the cooking odours to be extracted outside. If this is the chosen installation method consideration to the route of the vent pipe should be made. The mounting plate contains a hole allowing the vent pipe to be connected and routed through the ceiling.

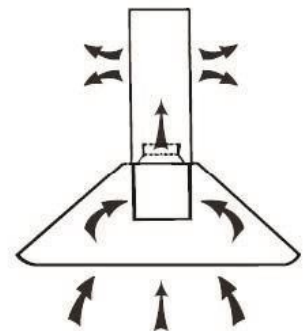


If a vent pipe is to run through the ceiling a hole with a diameter of around 170mm should be made in the ceiling before installation. This would allow the vent pipe to run through the mounting plate.

RECIRCULATION

This cooker hood also supports the recirculation of air once it has passed through the filters. The filtered air is then expelled through the vent holes in the side of the chimney.

When setting the unit up in this configuration, carbon filters should also be used to remove odours from the air. Details of sourcing and fitting the filters can be found in the Carbon filter section.

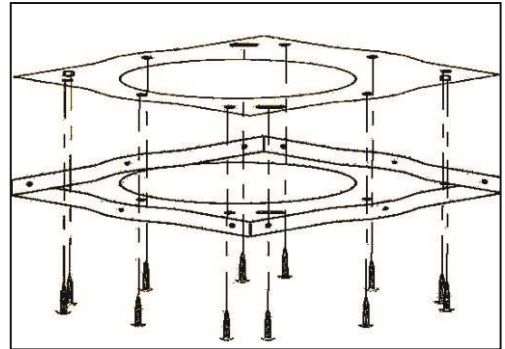


STANDARD HEIGHT INSTALLATION

Do not connect the hood to the mains supply before installing it .

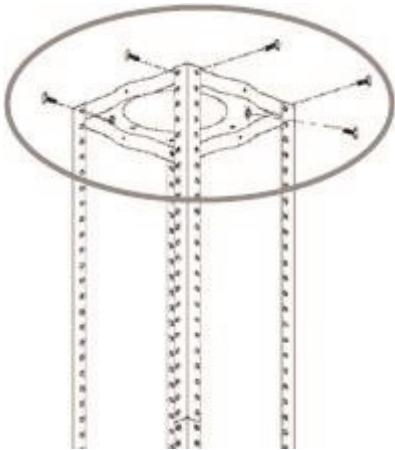
1. Position the hanging plate on the ceiling and then mark the position of the screw holes with a pencil.

Securely fix the hanging plate to the ceiling, using the 11 x ST4 (30 mm) screws.

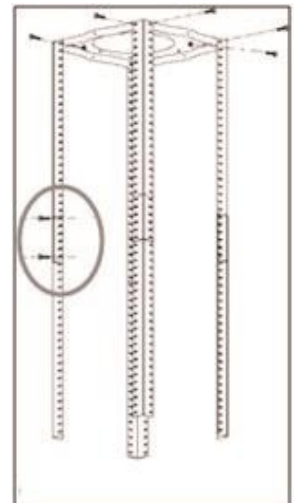


Please ensure that the bracket is fixed in a way it would support the weight of the hood.

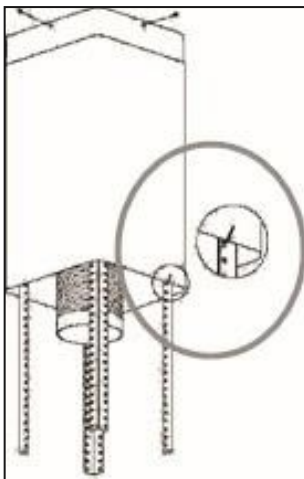
Depending on the construction of the ceiling, alternative fixings may be required. 6 x expansion bolts are also provided to allow fitting to concrete.



2. Fix the angle bars to the hanging plate, using the 8 x M5 screws.



3. Extend the angle bars to the required height and then fix them in position using the 16 x M5 screws. The angle bars must have an overlap of at least 100mm.



4. At this point, if the unit is to be externally vented connect the ducting hose to the hanging plate. Then fix the upper chimney section to the hanging plate, using the 4 x self-tapping screws (4mm x 6mm).

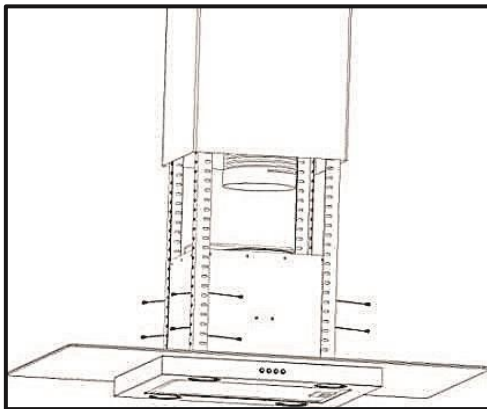
Slide the lower chimney section onto the angle bars and raise it until it sits just below the upper chimney section.

Use the hanging hook to temporarily keep the lower chimney section in this position, to make sure that it

does not drop down whilst fixing the main body of the hood to the angle bars.

5. On the top of the hood unit, where the air outlet vent is located, the 2 x air flaps should be carefully installed, bending very slightly so the lugs at each end fit into the holes. This enables the flaps to pivot upwards when the unit is in operation, opening up the outlet fully for the air to pass through.

Please note: The small spindles/lugs at each end of each flap fit into the holes on the housing, not the grooves above them:



6. Lift the main body of the cooker hood onto the angle bar and then fix it into position using the 16 x M5 screws.

IMPORTANT:

This stage of the installation process **MUST** be completed by two people, as one person must support the weight of the hood until all 16 of the M4 screws have been securely tightened.

8. The unit should then be connected to a suitable power source, either by using the supplied plug, or hardwiring the unit into a spur. Please note if hard wiring the unit, a suitable switch should be fitted in a conveniently accessible position.

9. Remove the hanging hook and then slide the lower chimney section downwards, until it rests against the main body of the cooker hood.

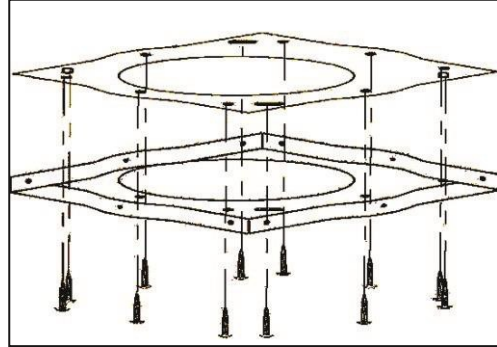


ALTERNATIVE INSTALLATION FOR MINIMUM CHIMNEY LENGTH

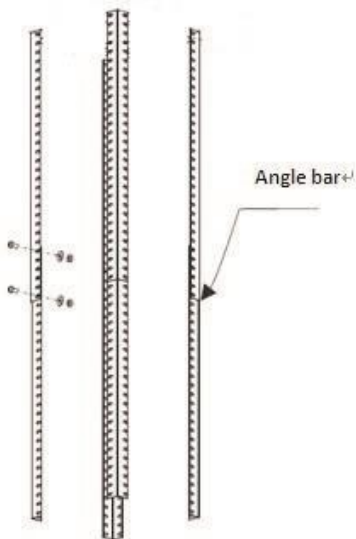
Do not connect the hood to the mains supply before installing it.

1. Position the hanging plate on the ceiling and then mark the position of the screw holes with a pencil.

Securely fix the hanging plate to the ceiling, using the 11 x ST4 (30 mm) screws.



Please ensure that the bracket is fixed in a way it would support the weight of the hood. Depending on the construction of the ceiling, alternative fixings may be required. 6 x expansion bolts are also provided to allow fitting to concrete.



2. Calculate the length of the angle bars according to the overall height of the hood required. Extend the angle bars to the required height and then fix them in position using the 16 x M5 screws. The angle bars must have an overlap of at least 100mm.

3. On the top of the hood unit, where the air outlet vent is located, the 2 x air flaps should be carefully installed, bending very slightly so the lugs at each end fit into the holes. This enables the flaps to pivot upwards when the unit is in operation, opening up the outlet fully for the air to pass through.



Please note: The small spindles/lugs at each end of each flap fit into the holes on the housing, not the grooves above them.

- Securely fix the angle bars to the hood using 16 x M5(10mm) screws, and connect the outlet with the exhaust pipe (If venting externally)

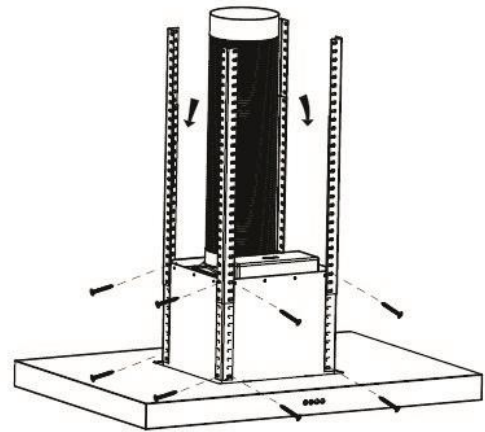


- If externally venting, connect the exhaust pipe to the hanging plate.

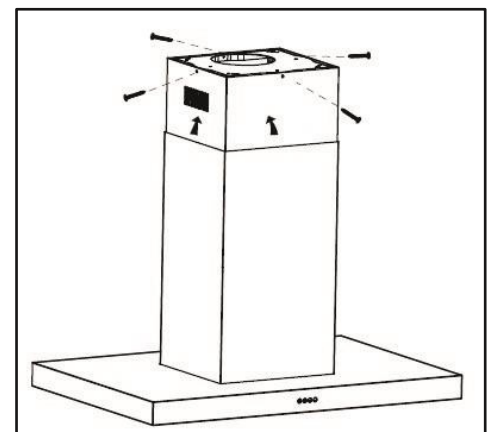
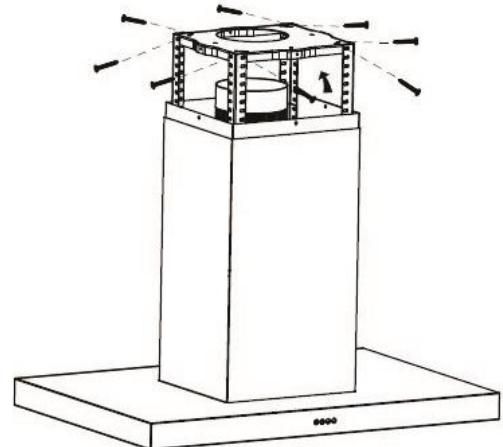
The angle bar should then be fixed to the hanging plate using the 8 x M5 screws.

IMPORTANT: This stage of the installation process **MUST** be completed by two people, as one person must support the weight of the hood until all the screws have been securely tightened.

- The unit should then be connected to a suitable power source, either by using the supplied plug, or hardwiring the unit into a spur. Please note if hardwiring the unit, a suitable switch should be fitted in a conveniently accessible position.
- Slide the inner chimney up, and use 4 x self-tapping screws to connect the inner chimney with the hanging plate, then the installation is complete .



- Slide the inner chimney and outer chimney onto the angle bars.

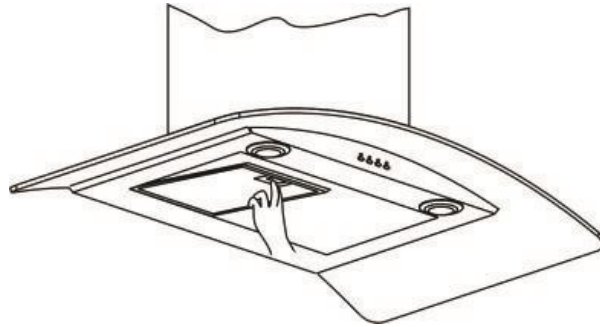


CARBON FILTER (Available Separately)

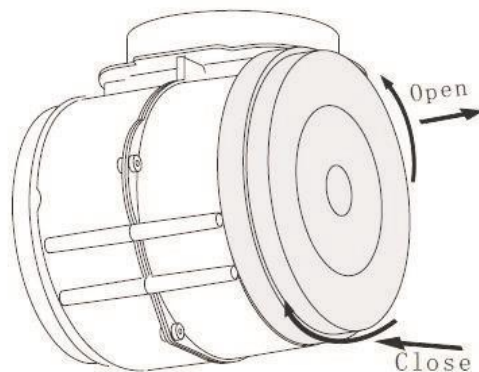
Activated carbon filters can be used to trap odours, and must be used if the unit is not vented externally. These are available from the same stockist the hood was purchased from under reference: **eIQTMCARBONCURV**

CARBON FILTER INSTALLATION

In order to install the activated carbon filters, the aluminium grease filter should be removed first. Press the lock and pull it downward as below:



Put the activated carbon filter onto the end of the motor unit and turn it in clockwise direction. Repeat the same on the other side (see diagram)



NOTE:

- Make sure the filter is securely locked. Otherwise, it could loosen and cause damage to the unit.
- When the activated carbon filters are attached, the suction power will be reduced.
- The charcoal filter cannot be washed or recycled. It should be changed at three or six month intervals, depending on the amount of use the hood receives. Replacements are available from the stockist you purchased the hood from.

OPERATION



Touch control



ON/OFF BUTTON

Press this key to turn the power on and off.



FAN SPEED DOWN BUTTON

While the fan is operating, press this key to decrease the power one level.



POWER UP BUTTON

While the fan is operating press this key to increase the power one level.



LIGHT BUTTON

Press once to turn the lights on, press again to turn the lights off.

NOTE:

The display will light at half power when the hood is turned on, and the buttons will illuminate fully when they are touched.

If no input is received by the control panel for 2 minutes, the display illumination will turn off until a button is pressed.

MAINTENANCE

Before cleaning, switch the unit off and pull out the plug, or switch off at the relevant mains switch. If the unit has been hard-wired in. Make sure the unit has no power being fed to it.

REGULAR CLEANING

Use a soft cloth moistened with hand-warm mildly soapy water or household cleaning detergent. Never use metal pads, chemicals, abrasive material or a stiff brush to clean the unit.

Note! Do not use a steam-cleaner to clean the hood; electrical components could be damaged or short-circuit as a result.

MONTHLY CLEANING OF ALUMINIUM GREASE FILTER

ESSENTIAL NOTE: Clean the filter every month; an excessive build-up of grease can become a fire hazard. The filter collects grease, smoke and dust, so the filter directly affects the efficiency of the cooker hood. If it's not cleaned, the grease residue (potentially flammable) will saturate on the filter.

Remove the filter as shown in the Installation section. Clean it with a soft nylon brush in a mild solution of warm water and a small amount of washing up liquid. Washing up liquid alone should not be used. After cleaning, allow the filter to drain and then dry thoroughly.

The grease filter may also be dishwasher cleaned; using a 60°C program, with the filter upright (short sides upright) in the lower basket. Please be aware some dishwasher cleaning agents can permanently discolour the filter, though this will not affect its performance.

Replacement grease filters are available from the same stockist from which you purchased the hood: **eiQTMGREASE3**

REPLACEMENT OF ACTIVE CARBON FILTER

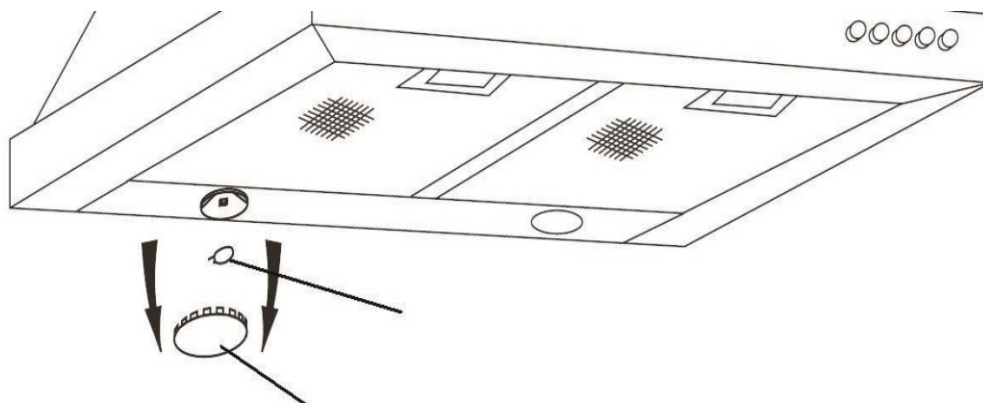
These are only required in units that have been installed in recirculation mode. This filter traps odours and must be replaced ideally every 3–6 months depending on how frequently the cooker hood has been used. They are not washable or reusable.

Reference: **eiQTMCARBONCURV** – **Carbon Filter Pack**

LIGHT BULB REPLACEMENT

Your cooker hood is supplied with 4 long life LED light fittings. Although these are designed to have a very long lifespan, should one fail, replacements are available from the supplier of the hood and the guide below can be followed to replace it.

1. Switch the unit off and ensure it is disconnected from the mains supply.
2. Remove aluminium grease filters, to prevent them from falling.
3. Use a screwdriver to carefully remove the metal retaining ring, which holds the glass in place, ensuring the glass lens is not allowed to fall.
4. Remove the LED light bulb and replace with the same type and rated LED lamp.
5. Hold the glass lens in position on the fitting, and push the retaining ring back into position to lock the glass in place.
6. Attach the aluminium grease filter back onto the unit.



TROUBLESHOOTING

Fault	Cause	Solution
Light on, but fan does not work	The fan blade is jammed.	Switch off the unit. Repair to be carried out by qualified service personnel only.
	The motor is damaged.	
Both light and fan do not work	Halogen light bulb blown	Replace the bulb with correct rating.
	Power cord loose	Plug in to the power supply again.
Excessive Vibration	The fan blade is damaged.	Switch off the unit. Repair to be carried out by qualified service personnel only.
	The fan motor is not fixed tightly.	Switch off the unit. Repair to be carried out by qualified service personnel only.
	The unit is not hung properly on the bracket.	Take down the unit and check whether the bracket is in proper location.
Suction performance not good	<ol style="list-style-type: none"> 1 Grease filters clogged 2 Distance between the unit and the cooking plane too great. 	<ol style="list-style-type: none"> 1 Clean or replace grease filters. 2 Adjust the distance to between 70cm and 80cm.

MANUFACTURER SUPPORT

www.electriQ.co.uk
 Unit J6, Lowfields Business Park
 Lowfields Way, Elland
 West Yorkshire, HX5 9DA



Telephone : 0871 984 4416
 Office Hours: 9:00am to 5:00pm Monday to Friday

ENVIRONMENTAL PROTECTION

Waste electrical products should not be disposed of with household waste. Please recycle where facilities exist. Check with your Local Authority or retailer for recycling advice.



SPECIFICATION

	Symbol	Value	Unit
Model identification		eiQCURVISL90SS eiQCURVISL90BL	
Annual Energy Consumption	AEC_{hood}	44.33	kWh/a
Time increase factor	f	0.95	
Fluid Dynamic Efficiency	FDE_{hood}	29.15	
Energy Efficiency Index	EEl_{hood}	54.11	
Measured airflow rate at the best efficiency	Q_{BEP}	343.26	m ³ /h
Measured air pressure at best efficiency point	P_{BEP}	352.03	Pa
Maximum airflow	Q_{max}	593.25	m ³ /h
Measured electric power input at best efficiency point	W_{BEP}	115.15	W
Nominal power of the lighting system	W_L	6	W
Average illumination of the lighting system on the cooking surface	E_{middle}	272.8	lux
Measured power consumption on standby mode	P_S	0.34	W
Measured power consumption on off mode	P_O	0	W
Sound power level	L_{WA}	72.1	dB

The following shows how to reduce total environmental impact (e.g. energy use) of the cooking process).

- (1) Install the cooker hood in a proper place where there is efficient ventilation.
- (2) Clean the cooker hood regularly so as not to block the airway.
- (3) Remember to switch off the cooker hood light after cooking.
- (4) Remember to switch off the cooker hood after cooking.

INFORMATION FOR DISMANTLING

Do not dismantle the appliance in a way which is not shown in the user manual. The appliance could not be dismantled by user. At the end of life, the appliance should not be disposed of with household waste. Check with your Local Authority or retailer for recycling advice.